

Dual-Synchronous, Step-Down Controller with Out-of-Audio™ Operation and 100-mA LDOs for Notebook System Power

FEATURES

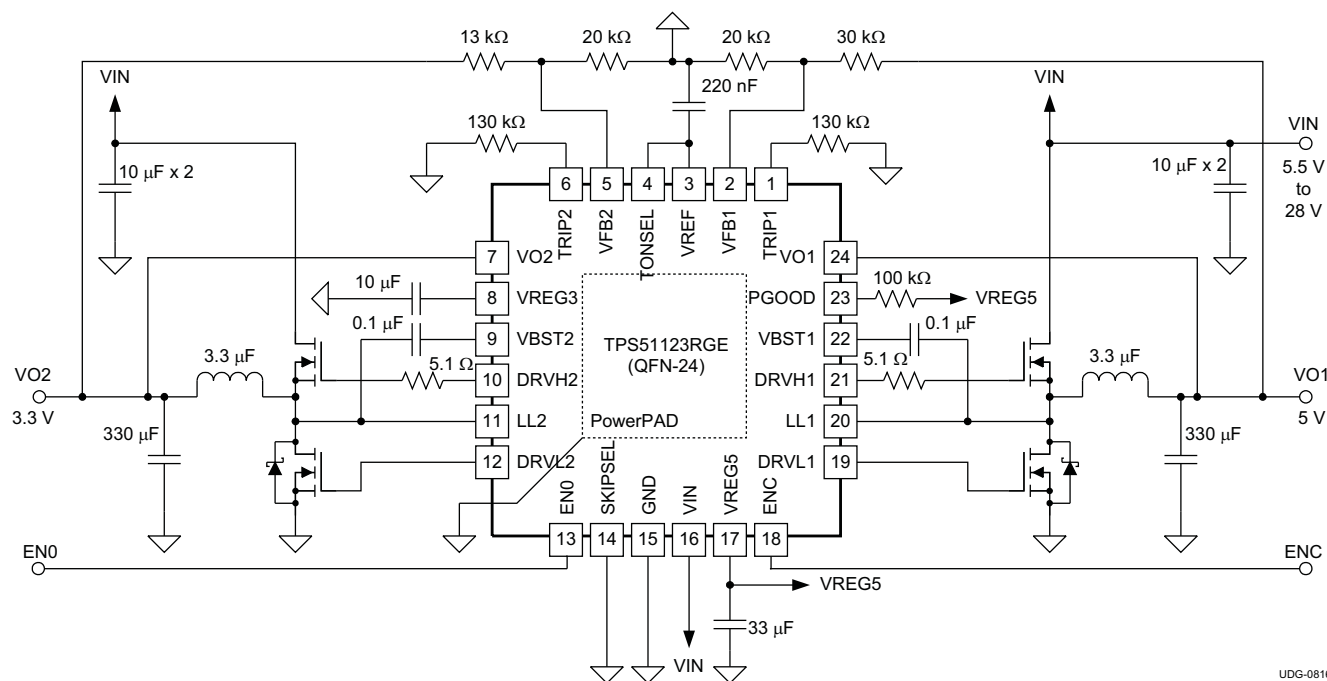
- Wide-Input Voltage Range: 5.5 V to 28 V
- Output Voltage Range: 2 V to 5.5 V
- Built-in 100-mA 5-V/3.3-V LDO with Switches
- Built-in 1% 2-V Reference Output
- With/Without Out-of-Audio™ Mode Selectable Light-Load and PWM only Operation
- Internal 1.6-ms Voltage Servo Softstart
- Adaptive On-Time Control Architecture with Four Selectable Frequency Setting
- 4500 ppm/°C $R_{DS(on)}$ Current Sensing
- Built-In Output Discharge
- Power Good Output
- Built-in OVP/UVP/OCV
- Thermal Shutdown (Non-latch)
- 24-Pin QFN (RGE) Package

APPLICATIONS

- Notebook Computers
- I/O Supplies
- System Power Supplies

DESCRIPTION

The TPS51123 is a cost effective, dual-synchronous buck controller targeted for notebook system power supply solutions. It provides 5-V and 3.3-V LDOs and requires few external components. The TPS51123 supports high efficiency, fast transient responses and provides a combined power-good signal. Out-of-Audio™ mode light-load operation enables low acoustic noise at much higher efficiency than conventional forced PWM operation. Adaptive on-time D-CAP™ control provides convenient and efficient operation. The part operates with supply input voltages ranging from 5.5 V to 28 V and supports output voltages from 2 V to 5.5 V. The TPS51123 is available in a 24-pin QFN package and is specified from -40°C to 85°C ambient temperature range.



UDG-08167



Please be aware that an important notice concerning availability, standard warranty, and use in critical applications of Texas Instruments semiconductor products and disclaimers thereto appears at the end of this data sheet.

Out-of-Audio, D-CAP are trademarks of Texas Instruments.

ORDERING INFORMATION⁽¹⁾

| T _A | PACKAGE | PART NUMBER | PINS | TRANSPORT MEDIA | MINIMUM QUANTITY | ECO PLAN |
|----------------|------------------------------|--------------|------|-----------------|------------------|---------------------------|
| -40°C to 85°C | Plastic Quad Flat Pack (QFN) | TPS51123RGET | 24 | Tape/Reel | 250 | Green (RoHS and no Sb/Br) |
| | | TPS51123RGER | | | 3000 | |

(1) For the most current specifications and package information, see the *Package Option Addendum* located at the end of this data sheet or refer to our web site at <http://www.ti.com>.

ABSOLUTE MAXIMUM RATINGS⁽¹⁾

over operating free-air temperature range (unless otherwise noted)

| PARAMETER | | VALUE | UNIT |
|---|---|------------|------|
| Input voltage range ⁽¹⁾ | VBST1, VBST2 | -0.3 to 36 | V |
| | VIN | -0.3 to 30 | |
| | LL1, LL2 | -2.0 to 30 | |
| | VBST1, VBST2 ⁽²⁾ | -0.3 to 6 | |
| | EN0, ENC, TRIP1, TRIP2, VFB1, VFB2, VO1, VO2, TONSEL, SKIPSEL | -0.3 to 6 | |
| Output voltage range ⁽¹⁾ | DRVH1, DRVH2 | -1.0 to 36 | V |
| | DRVH1, DRVH2 ⁽²⁾ | -0.3 to 6 | |
| | PGOOD, VREG3, VREG5, VREF, DRVL1, DRVL2 | -0.3 to 6 | |
| T _J Junction temperature range | | -40 to 125 | °C |
| T _{stg} Storage temperature | | -55 to 150 | |

- (1) Stresses beyond those listed under "absolute maximum ratings" may cause permanent damage to the device. These are stress ratings only and functional operation of the device at these or any other conditions beyond those indicated under "recommended operating conditions" is not implied. Exposure to absolute-maximum-rated conditions for extended periods may affect device reliability.
- (2) Voltage values are with respect to the corresponding LLx terminal.

DISSIPATION RATINGS

2-oz. trace and copper pad with solder.

| PACKAGE | T _A < 25°C POWER RATING | DERATING FACTOR ABOVE T _A = 25°C | T _A = 85°C POWER RATING |
|---------------------------|------------------------------------|---|------------------------------------|
| 24 pin RGE ⁽¹⁾ | 1.85 W | 18.5 mW/°C | 0.74 W |

(1) Enhanced thermal conductance by 3 x 3 thermal vias beneath thermal pad.

RECOMMENDED OPERATING CONDITIONS

over operating free-air temperature range (unless otherwise noted)

| PARAMETER | | MIN | TYP | MAX | UNIT |
|----------------------|---|------|-----|-----|------|
| Supply voltage | VIN | 5.5 | | 28 | V |
| Input voltage range | VBST1, VBST2 | -0.1 | | 34 | |
| | VBST1, VBST2 (wrt LLx) | -0.1 | | 5.5 | |
| | EN0, ENC, TRIP1, TRIP2, VFB1, VFB2, VO1, VO2, TONSEL, SKIPSEL | -0.1 | | 5.5 | |
| Output voltage range | DRVH1, DRVH2 | -0.8 | | 34 | |
| | DRVH1, DRVH2 (wrt LLx) | -0.1 | | 5.5 | |
| | LL1, LL2 | -1.8 | | 28 | |
| | VREF, VREG3, VREG5 | -0.1 | | 5.5 | |
| | PGOOD, DRVL1, DRVL2 | -0.1 | | 5.5 | |
| T _A | Operating free-air temperature | -40 | | 85 | |

ELECTRICAL CHARACTERISTICS

over operating free-air temperature range, VIN = 12 V (unless otherwise noted)

| PARAMETER | | CONDITIONS | MIN | TYP | MAX | UNIT |
|--|----------------------------|---|------|-------|------|------|
| SUPPLY CURRENT | | | | | | |
| I _{VIN1} | VIN supply current1 | VIN current, T _A = 25°C, no load, VO1 = 0 V, VO2 = 0 V, EN0=open, ENC = 5 V, TRIP1 = TRIP2 = 2 V, VFB1 = VFB2 = 2.05 V | | 0.55 | 1 | mA |
| I _{VIN2} | VIN supply current2 | VIN current, T _A = 25°C, no load, VO1 = 5 V, VO2 = 3.3 V, EN0=open, ENC = 5 V, TRIP1 = TRIP2 = 2 V, VFB1 = VFB2 = 2.05 V | | 4 | 6.5 | μA |
| I _{VO1} | VO1 current | VO1 current, T _A = 25°C, no load, VO1 = 5 V, VO2 = 3.3 V, EN0=open, ENC = 5 V, TRIP1 = TRIP2 = 2 V, VFB1 = VFB2 = 2.05 V | | 0.8 | 1.5 | mA |
| I _{VO2} | VO2 current | VO2 current, T _A = 25°C, no load, VO1 = 5 V, VO2 = 3.3 V, EN0=open, ENC = 5 V, TRIP1 = TRIP2 = 2 V, VFB1 = VFB2 = 2.05 V | | 12 | 100 | μA |
| I _{VINSTBY} | VIN standby current | VIN current, T _A = 25°C, no load, EN0 = 1.2 V, ENC = 0 V | | 95 | 250 | |
| I _{VINSDN} | VIN shutdown current | VIN current, T _A = 25°C, no load, EN0 = ENC = 0 V | | 10 | 25 | |
| VREF OUTPUT | | | | | | |
| V _{VREF} | VREF output voltage | I _{VREF} = 0 A | 1.98 | 2.00 | 2.02 | V |
| | | -5 μA < I _{VREF} < 100 μA | 1.97 | 2.00 | 2.03 | |
| VREG5 OUTPUT | | | | | | |
| V _{VREG5} | VREG5 output voltage | VO1 = 0 V, I _{VREG5} < 100 mA, T _A = 25°C | 4.8 | 5 | 5.2 | V |
| | | VO1 = 0 V, I _{VREG5} < 100 mA, 6.5 V < VIN < 28 V | 4.75 | 5 | 5.25 | |
| | | VO1 = 0 V, I _{VREG5} < 50 mA, 5.5 V < VIN < 28 V | 4.75 | 5 | 5.25 | |
| I _{VREG5} | VREG5 output current | VO1 = 0 V, VREG5 = 4.5 V | 100 | 175 | 250 | mA |
| V _{TH5VSW} | Switch over threshold | Turns on | 4.55 | 4.7 | 4.85 | V |
| | | Hysteresis | 0.15 | 0.25 | 0.3 | |
| R _{5VSW} | 5 V SW R _{ON} | VO1 = 5 V, I _{VREG5} = 100 mA | | 1 | 3 | Ω |
| VREG3 OUTPUT | | | | | | |
| V _{VREG3} | VREG3 output voltage | VO2 = 0 V, I _{VREG3} < 100 mA, T _A = 25°C | 3.2 | 3.33 | 3.46 | V |
| | | VO2 = 0 V, I _{VREG3} < 100 mA, 6.5 V < VIN < 28 V | 3.13 | 3.33 | 3.5 | |
| | | VO2 = 0 V, I _{VREG3} < 50 mA, 5.5 V < VIN < 28 V | 3.13 | 3.33 | 3.5 | |
| I _{VREG3} | VREG3 output current | VO2 = 0 V, VREG3 = 3 V | 100 | 175 | 250 | mA |
| V _{TH3VSW} | Switch over threshold | Turns on | 3.05 | 3.15 | 3.25 | V |
| | | Hysteresis | 0.1 | 0.2 | 0.25 | |
| R _{3VSW} | 3 V SW R _{ON} | VO2 = 3.3 V, I _{VREG3} = 100 mA | | 1.5 | 4 | Ω |
| INTERNAL REFERENCE VOLTAGE | | | | | | |
| V _{IREF} | Internal reference voltage | I _{VREF} = 0 A, beginning of ON state | 1.95 | 1.98 | 2.01 | V |
| V _{VFB} | VFB regulation voltage | FB voltage, I _{VREF} = 0 A, skip mode | 1.98 | 2.01 | 2.04 | |
| | | FB voltage, I _{VREF} = 0 A, OOA mode ⁽¹⁾ | 2.00 | 2.035 | 2.07 | |
| | | FB voltage, I _{VREF} = 0 A, continuous conduction mode ⁽¹⁾ | | 2.00 | | |
| I _{VFB} | VFB input current | VFBX = 2.0 V, T _A = 25°C | -20 | | 20 | nA |
| OUTPUT VOLTAGE, V_{OUT} DISCHARGE | | | | | | |
| I _{Dischg} | VOUT discharge current | ENC = 0 V, VOx = 0.5 V | 10 | 60 | | mA |

(1) Ensured by design. Not production tested.

ELECTRICAL CHARACTERISTICS (continued)

over operating free-air temperature range, VIN = 12 V (unless otherwise noted)

| PARAMETER | | CONDITIONS | MIN | TYP | MAX | UNIT |
|---|-------------------------|---|---------|------|---------|------|
| OUTPUT DRIVERS | | | | | | |
| R _{DRVH} | DRVH resistance | Source, V _{BSTx} - DRVHx = 100 mV | | 4 | 8 | Ω |
| | | Sink, V _{DRVHx} - LLx = 100 mV | | 1.5 | 4 | |
| R _{DRVL} | DRVL resistance | Source, V _{VREG5} - DRVLx = 100 mV | | 4 | 8 | |
| | | Sink, V _{DRVLx} = 100 mV | | 1.5 | 4 | |
| T _D | Dead time | DRVHx-off to DRVLx-on | | 10 | | ns |
| | | DRVLx-off to DRVHx-on | | 30 | | |
| INTERNAL BST DIODE | | | | | | |
| V _{FBST} | Forward voltage | V _{VREG5-VBSTx} , I _F = 10 mA, T _A = 25 °C | 0.7 | 0.8 | 0.9 | V |
| I _{VBSTLK} | VBST leakage current | VBSTx = 34 V, LLx = 28 V, T _A = 25 °C | | 0.1 | 1 | μA |
| DUTY AND FREQUENCY CONTROL | | | | | | |
| T _{ON11} | CH1 on time 1 | V _{IN} = 12 V, VO1 = 5 V, 200 kHz setting | | 2080 | | ns |
| T _{ON12} | CH1 on time 2 | V _{IN} = 12 V, VO1 = 5 V, 245 kHz setting | | 1700 | | |
| T _{ON13} | CH1 on time 3 | V _{IN} = 12 V, VO1 = 5 V, 300 kHz setting | | 1390 | | |
| T _{ON14} | CH1 on time 4 | V _{IN} = 12 V, VO1 = 5 V, 365 kHz setting | | 1140 | | |
| T _{ON21} | CH2 on time 1 | V _{IN} = 12 V, VO2 = 3.3 V, 250 kHz setting | | 1100 | | |
| T _{ON22} | CH2 on time 2 | V _{IN} = 12 V, VO2 = 3.3 V, 305 kHz setting | | 900 | | |
| T _{ON23} | CH2 on time 3 | V _{IN} = 12 V, VO2 = 3.3 V, 375 kHz setting | | 730 | | |
| T _{ON24} | CH2 on time 4 | V _{IN} = 12 V, VO2 = 3.3 V, 460 kHz setting | | 600 | | |
| T _{ON(min)} | Minimum on time | T _A = 25 °C | | 80 | | |
| T _{OFF(min)} | Minimum off time | T _A = 25 °C | | 300 | | |
| SOFTSTART | | | | | | |
| T _{SS} | Internal SS time | Internal soft start | 1.1 | 1.6 | 2.1 | ms |
| POWERGOOD | | | | | | |
| V _{THPG} | PG threshold | PG in from lower | 92.50% | 95% | 97.50% | |
| | | PG in from higher | 102.50% | 105% | 107.50% | |
| | | PG hysteresis | 2.50% | 5% | 7.50% | |
| I _{PGMAX} | PG sink current | PGOOD = 0.5 V | 5 | 12 | | mA |
| T _{PGDEL} | PG delay | Delay for PG in | 350 | 510 | 670 | μs |
| LOGIC THRESHOLD AND SETTING CONDITIONS | | | | | | |
| V _{EN0} | EN0 setting voltage | Shutdown | | | 0.4 | V |
| | | Enable | 2.4 | | | |
| I _{EN0} | EN0 current | V _{EN0} = 0.2 V | 2 | 3.5 | 5 | μA |
| V _{ENC} | ENC threshold voltage | Shutdown | | | 0.6 | V |
| | | Enable | 2 | | | |
| V _{TONSEL} | TONSEL setting voltage | 200 kHz/250 kHz | | | 1.5 | V |
| | | 245 kHz/305 kHz | 1.9 | | 2.1 | |
| | | 300 kHz/375 kHz | 2.7 | | 3.6 | |
| | | 365 kHz/460 kHz | 4.7 | | | |
| V _{SKIPSEL} | SKIPSEL setting voltage | Auto skip | | | 1.5 | V |
| | | PWM only | 1.9 | | 2.1 | |
| | | OOA auto skip | 2.7 | | | |

ELECTRICAL CHARACTERISTICS (continued)

over operating free-air temperature range, VIN = 12 V (unless otherwise noted)

| PARAMETER | | CONDITIONS | MIN | TYP | MAX | UNIT |
|--|--|---|-------|------|------|--------|
| PROTECTION: CURRENT SENSE | | | | | | |
| I _{TRIP} | TRIPx source current | V _{TRIPx} = 920 mV, T _A = 25°C | 9.4 | 10 | 10.6 | μA |
| TC _{ITRIP} | TRIPx current temperature coefficient | On the basis of 25°C | | 4500 | | ppm/°C |
| V _{OCLoff} | OCP comparator offset | ((V _{TRIPx-GND} /9)-24 mV -V _{GND-LLx}) voltage, V _{TRIPx-GND} = 920 mV | -8 | 0 | 8 | mV |
| V _{OCL(max)} | Maximum OCL setting | V _{TRIPx} = 5 V | 185 | 205 | 225 | |
| V _{ZC} | Zero cross detection comparator offset | V _{GND-LLx} voltage | -5 | 0 | 5 | |
| V _{TRIP} | Current limit threshold | V _{TRIPx-GND} voltage ⁽²⁾ | 0.515 | | 2 | V |
| PROTECTION: UNDERVOLTAGE AND OVERVOLTAGE PROTECTION | | | | | | |
| V _{OVP} | OVP trip threshold | OVP detect | 110% | 115% | 120% | |
| T _{OVPDEL} | OVP prop delay | | | 2 | | μs |
| V _{UVP} | Output UVP trip threshold | UVP detect | 55% | 60% | 65% | |
| | | Hysteresis | | 10% | | |
| T _{UVPDEL} | Output UVP prop delay | | 20 | 32 | 40 | μs |
| T _{UVPEN} | Output UVP enable delay | | 1.4 | 2 | 2.6 | ms |
| UNDERVOLTAGE LOCKOUT (UVLO) | | | | | | |
| V _{UVVREG5} | VREG5 UVLO threshold | Wake up | 4.1 | 4.2 | 4.3 | V |
| | | Hysteresis | 0.38 | 0.43 | 0.48 | |
| V _{UVVREG3} | VREG3 UVLO threshold | Shutdown ⁽²⁾ | VO2-1 | | | |
| THERMAL SHUTDOWN | | | | | | |
| T _{SDN} | Thermal shutdown threshold | Shutdown temperature ⁽²⁾ | 150 | | | °C |
| | | Hysteresis ⁽²⁾ | 10 | | | |

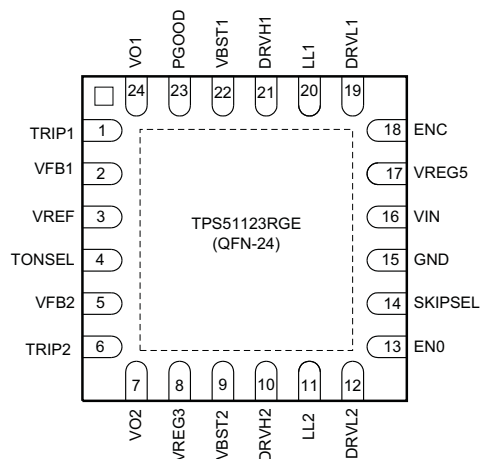
(2) Ensured by design. Not production tested.

DEVICE INFORMATION

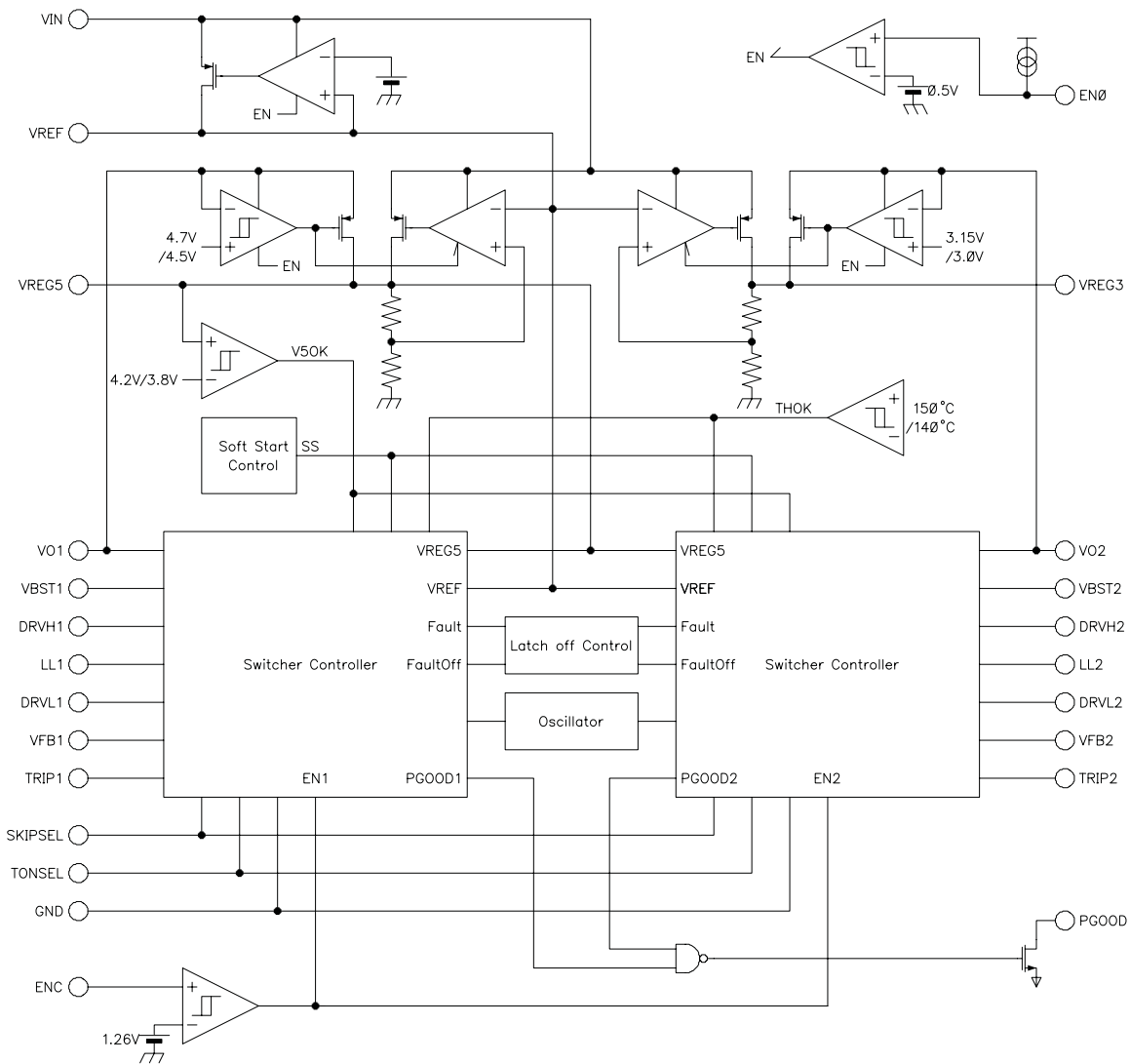
Table 1. TERMINAL FUNCTIONS TABLE

| TERMINAL | | I/O | DESCRIPTION |
|----------|-----|-----|--|
| NAME | NO. | | |
| DRVH1 | 21 | O | High-side N-channel MOSFET driver outputs. LL referenced drivers. |
| DRVH2 | 10 | | |
| DRVL1 | 19 | O | Low-side N-channel MOSFET driver outputs. GND referenced drivers. |
| DRVL2 | 12 | | |
| EN0 | 13 | I/O | Master enable input. Open : LDOs on, and ready to turn both switcher channels. GND : disable all circuit |
| ENC | 18 | I | Channel 1 and Channel 2 enable input. Pull up to the voltage ranging 3.3-V to 5-V to turn on both switcher channels. Short to ground to shutdown them. |
| GND | 15 | – | Ground. |
| LL1 | 20 | I | Switch node connections for high-side drivers, current limit and control circuitry. |
| LL2 | 11 | | |
| PGOOD | 23 | O | Powergood window comparator output for channel 1 and 2. (Logical AND) |
| SKIPSEL | 14 | I | Selection pin for operation mode: OOA auto skip : Connect to VREG3 or VREG5 PWM only: Connect to VREF Auto skip: Connect to GND |
| TRIP1 | 1 | I/O | OCL trip setting pins. Connect resistor from this pin to GND to set threshold for synchronous $R_{DS(on)}$ sense. |
| TRIP2 | 6 | | |
| TONSEL | 4 | I | On-time adjustment pin. 365 kHz/460 kHz setting: connect to VREG5 300 kHz/375 kHz setting: connect to VREG3 245 kHz/305 kHz setting: connect to VREF 200 kHz/250 kHz setting: connect to GND |
| VBST1 | 22 | I | Supply input for high-side N-channel MOSFET driver (boost terminal). |
| VBST2 | 9 | | |
| VFB1 | 2 | I | SMPS feedback inputs. Connect with feedback resistor divider. |
| VFB2 | 5 | | |
| VIN | 16 | I | High voltage power supply input for 5-V/3.3-V LDO. |
| VO1 | 24 | I/O | Output connection to SMPS. These terminals work as fixed voltage inputs and output discharge inputs. VO1 and VO2 also work as 5-V and 3.3-V switch over return power input respectively. |
| VO2 | 7 | | |
| VREF | 3 | O | 2-V reference voltage output. Connect 220-nF to 1- μ F ceramic capacitor to Signal GND near the device. |
| VREG3 | 8 | O | 3.3-V power supply output. Connect a 10- μ F ceramic capacitor to Power GND near the device. A 1- μ F ceramic capacitor is acceptable when not loaded. |
| VREG5 | 17 | O | 5-V power supply output. Connect a 33- μ F ceramic capacitor to Power GND near the device. |

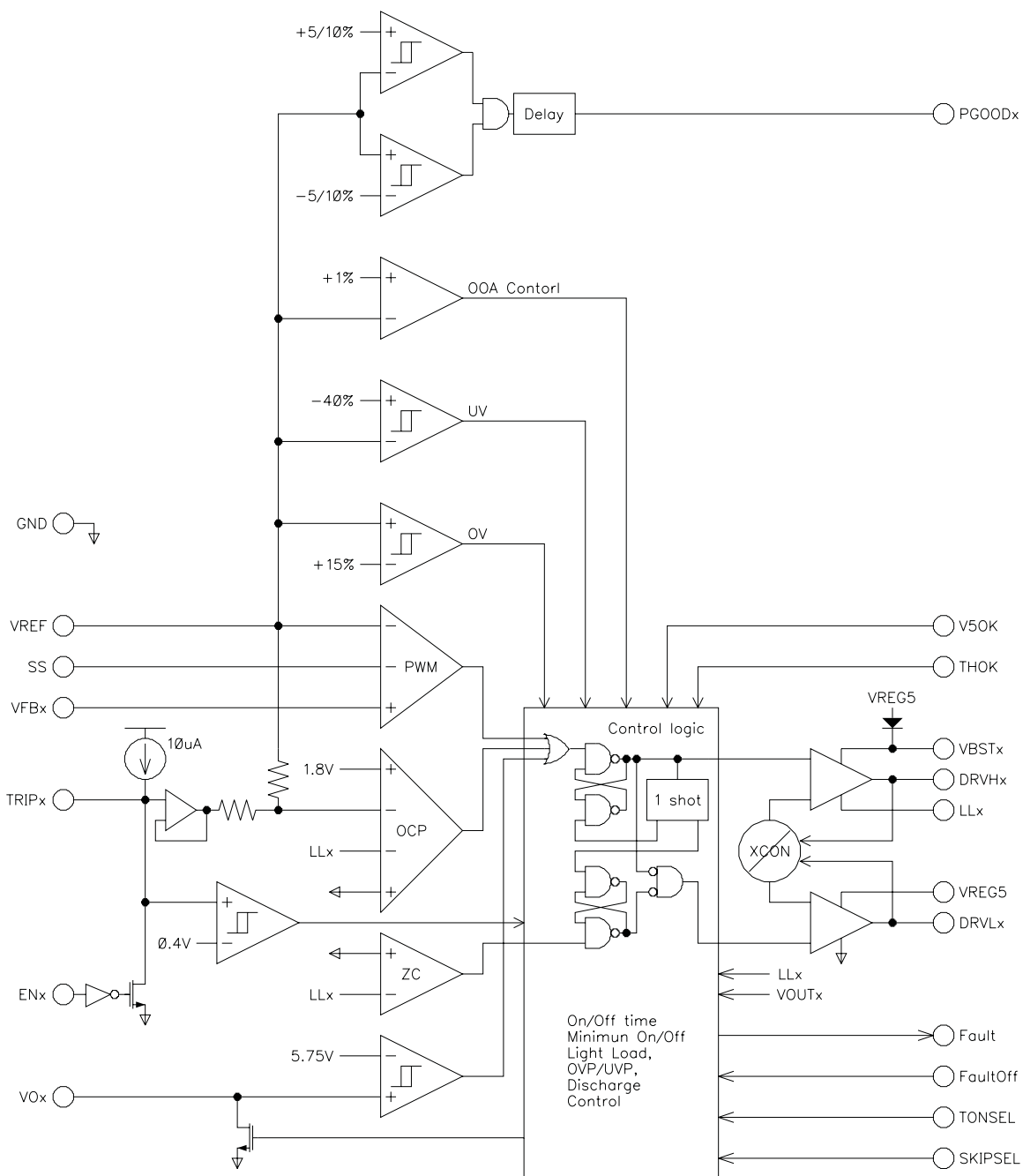
QFN PACKAGE (TOP VIEW)



Functional Block Diagram



Switcher Controller Block



TYPICAL CHARACTERISTICS

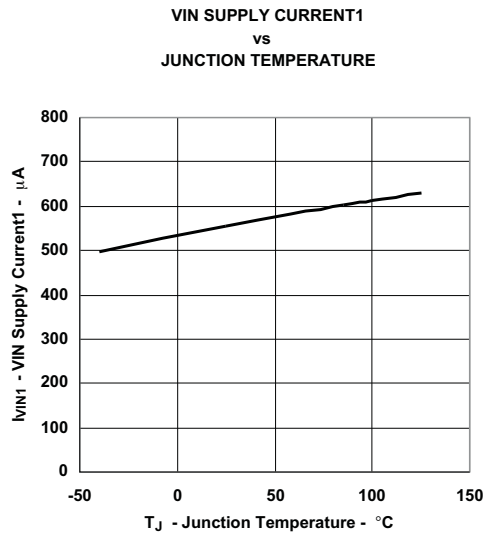


Figure 1.

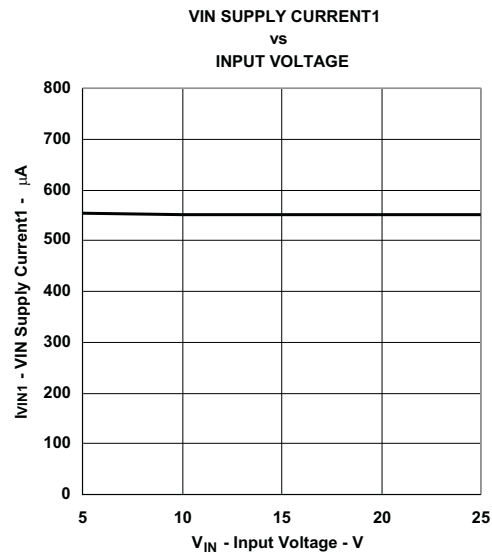


Figure 2.

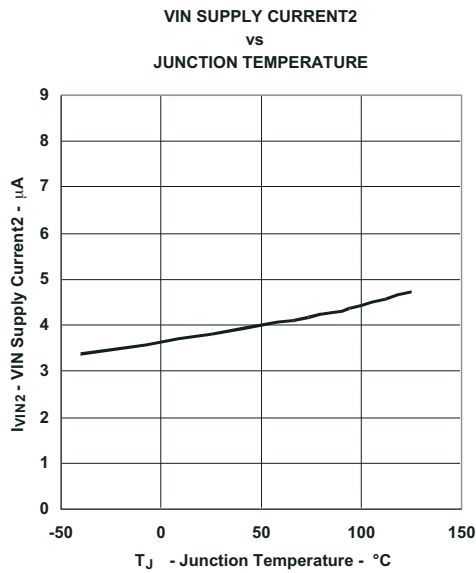


Figure 3.

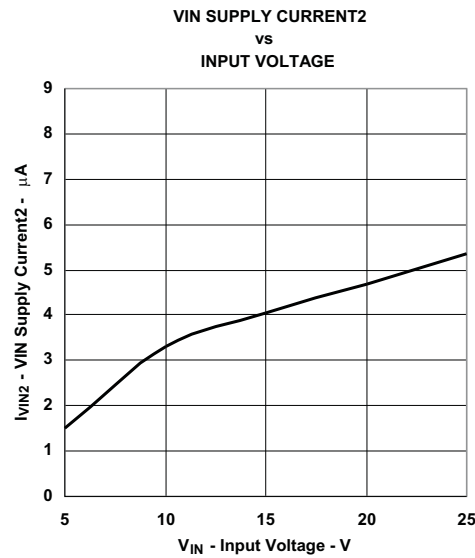


Figure 4.

TYPICAL CHARACTERISTICS (continued)

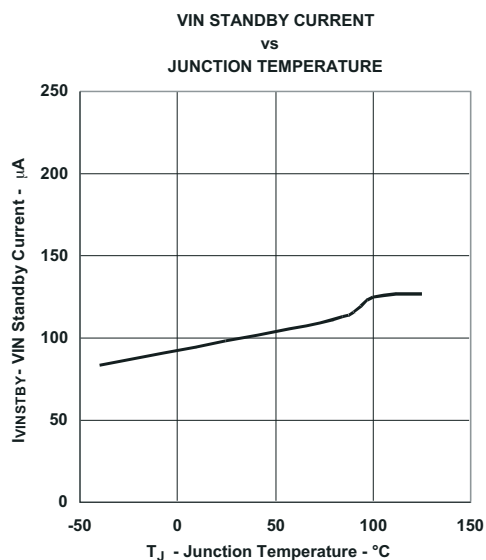


Figure 5.

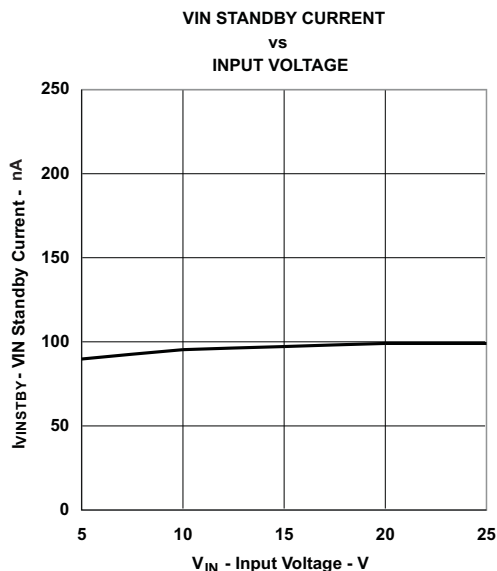


Figure 6.

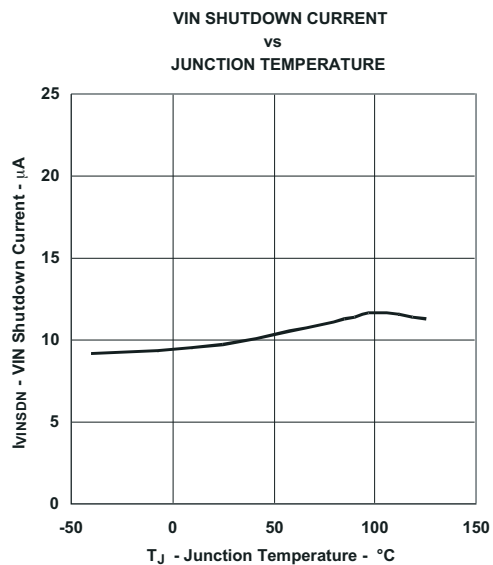


Figure 7.

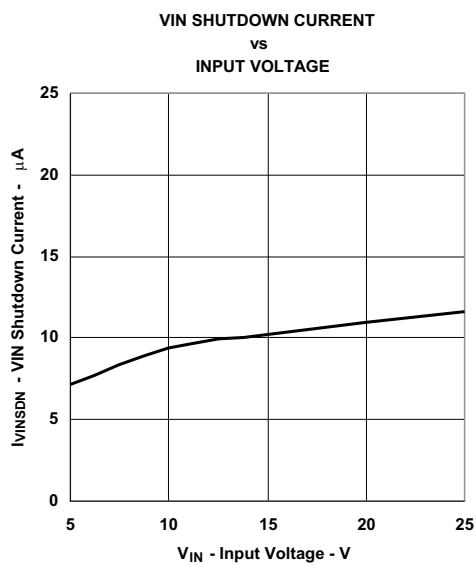


Figure 8.

TYPICAL CHARACTERISTICS (continued)

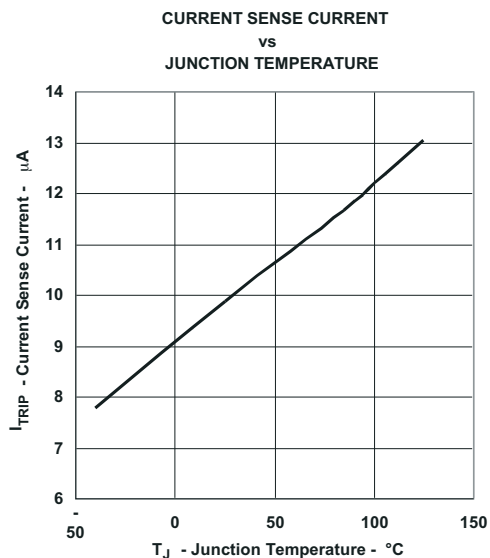


Figure 9.

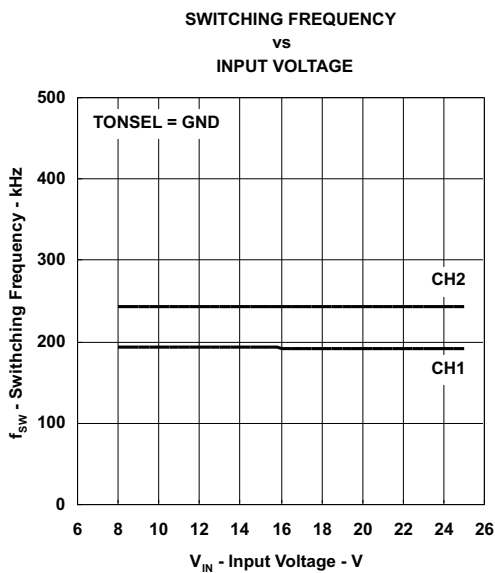


Figure 10.

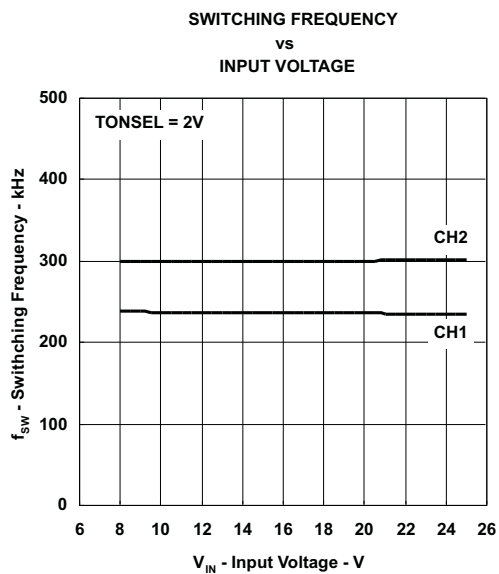


Figure 11.

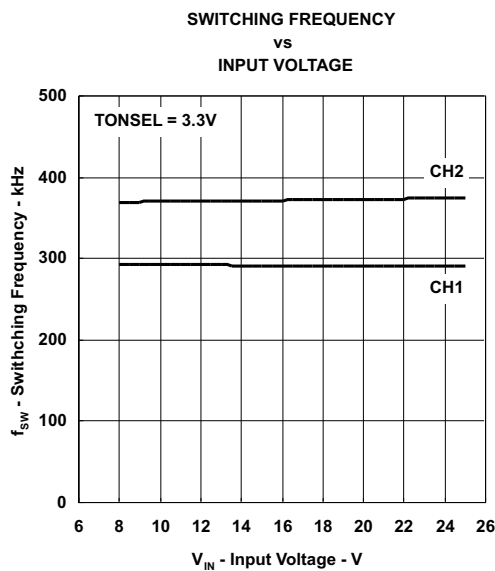


Figure 12.

TYPICAL CHARACTERISTICS (continued)

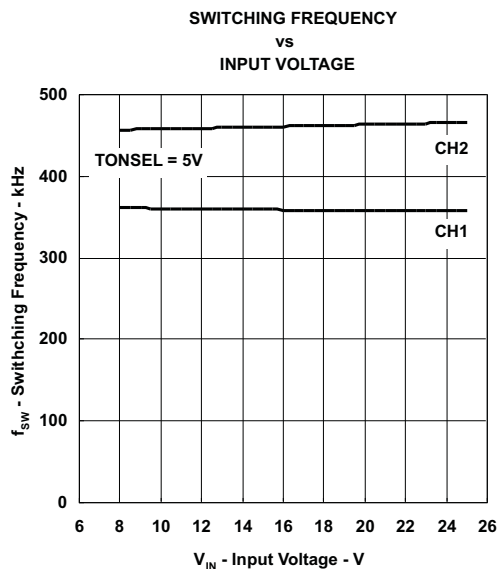


Figure 13.

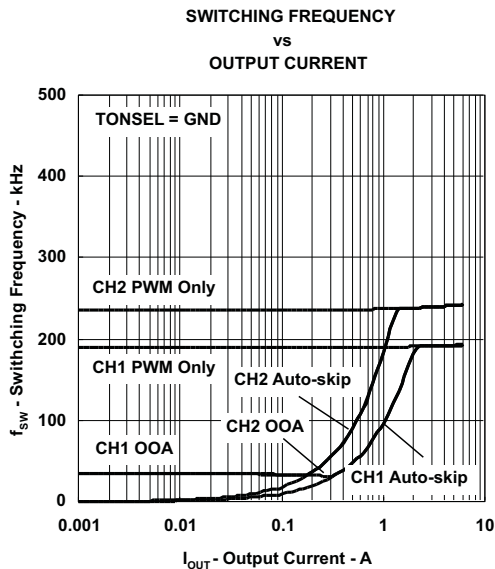


Figure 14.

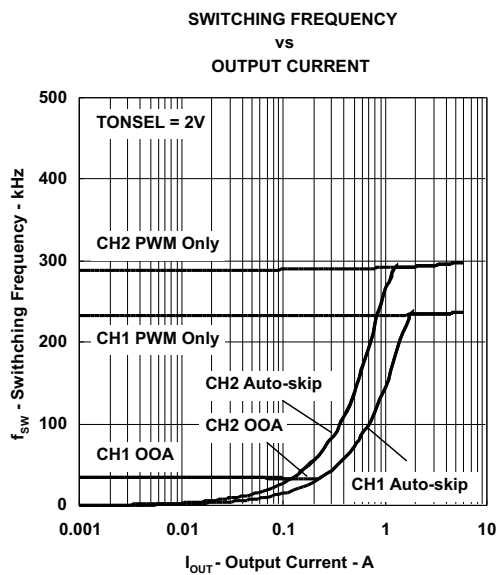


Figure 15.

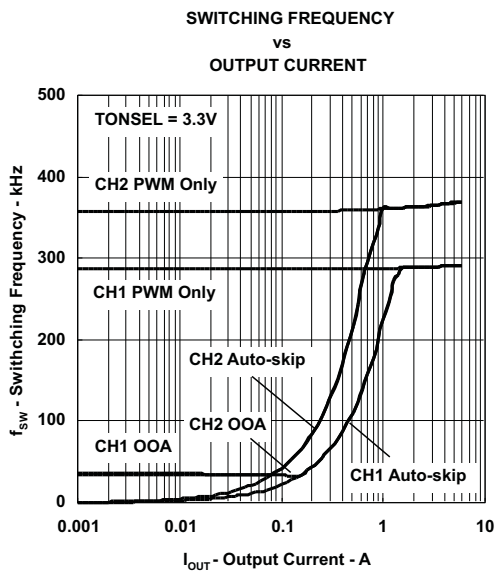


Figure 16.

TYPICAL CHARACTERISTICS (continued)

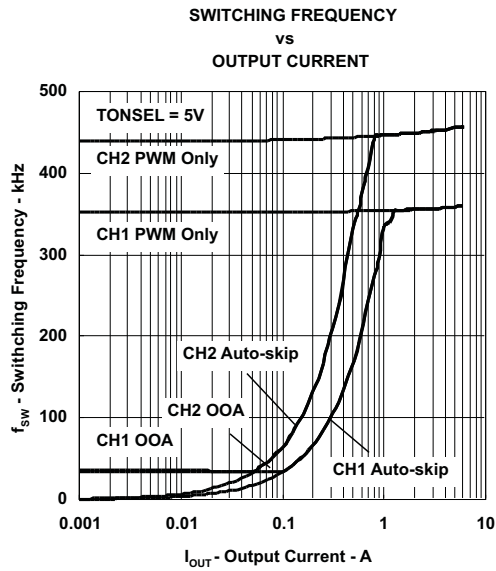


Figure 17.

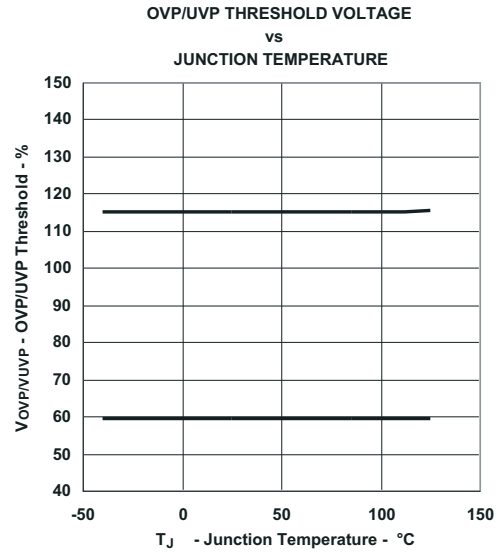


Figure 18.

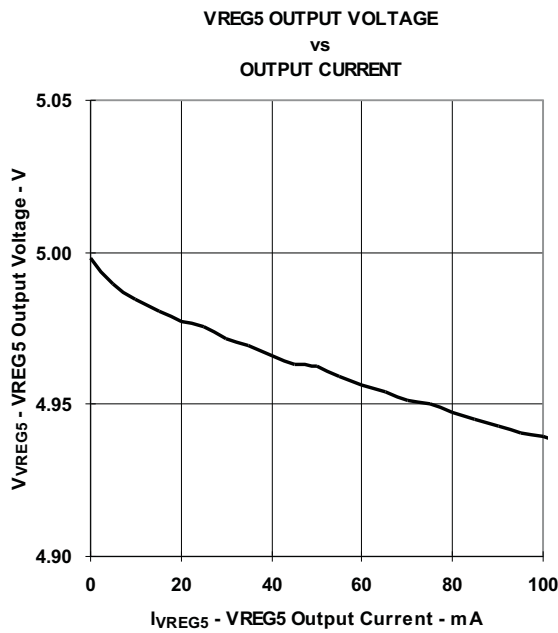


Figure 19.

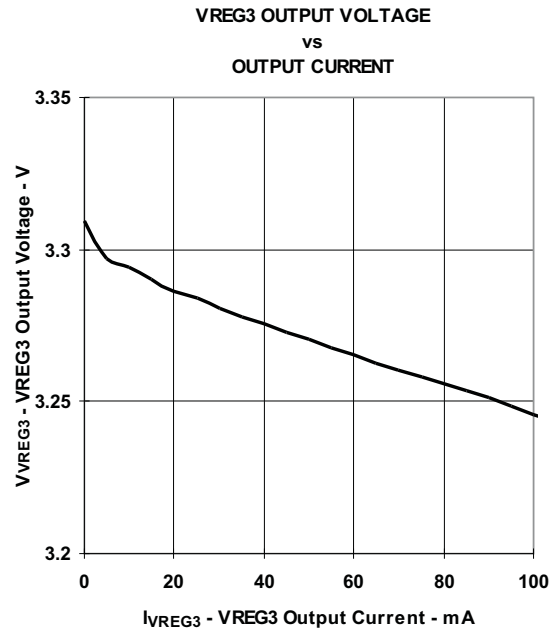


Figure 20.

TYPICAL CHARACTERISTICS (continued)

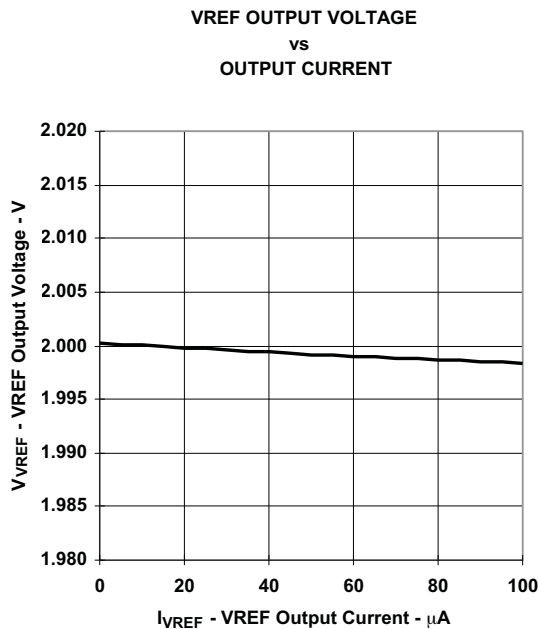


Figure 21.

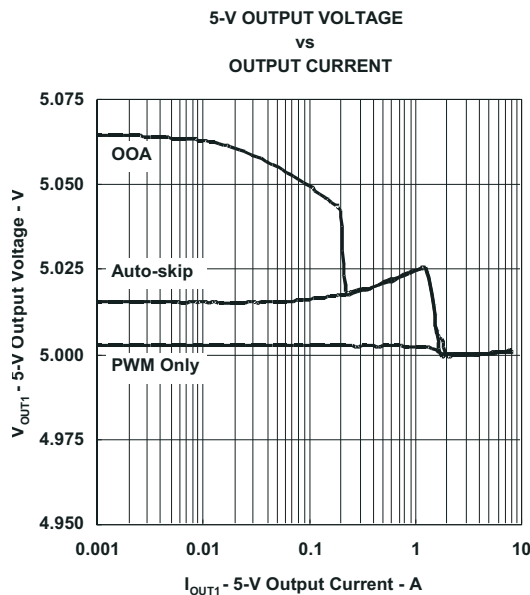


Figure 22.

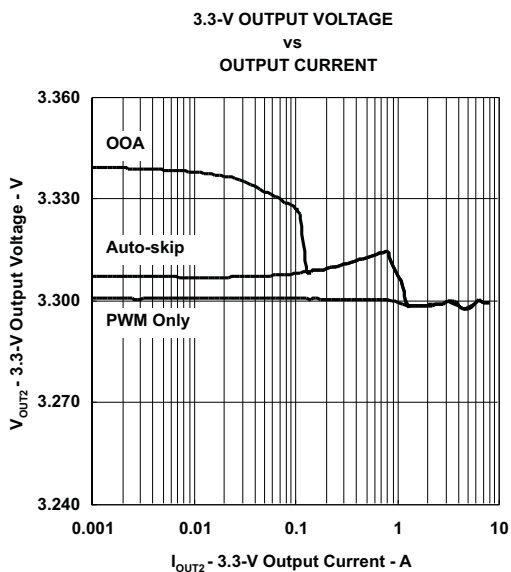


Figure 23.

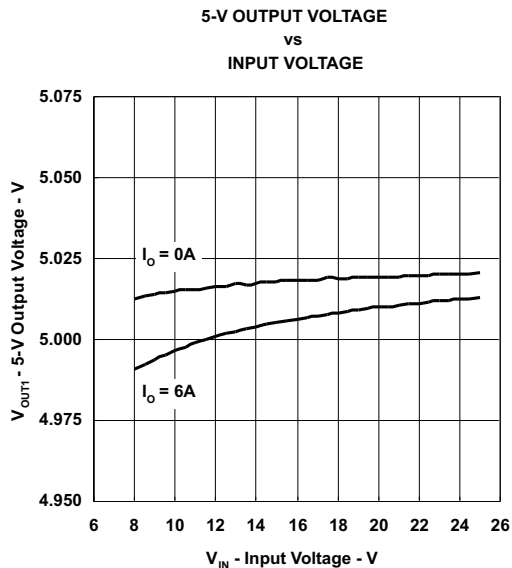


Figure 24.

TYPICAL CHARACTERISTICS (continued)

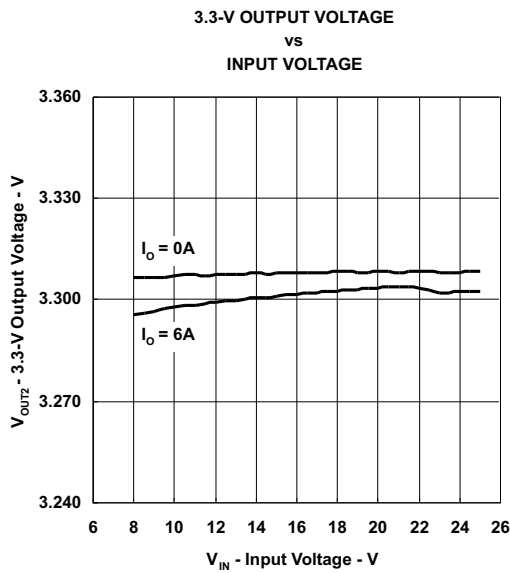


Figure 25.

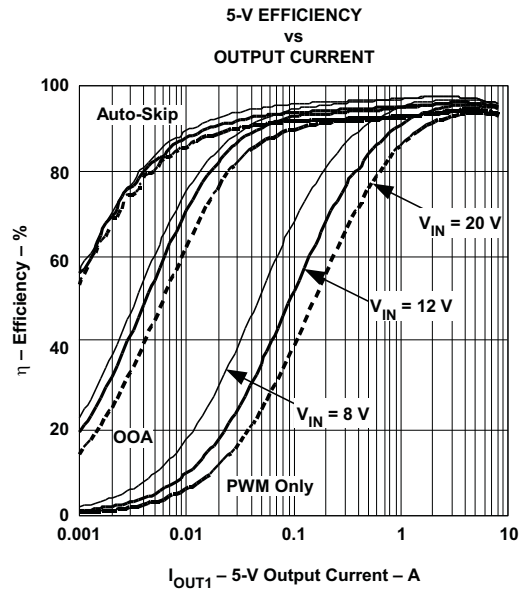


Figure 26.

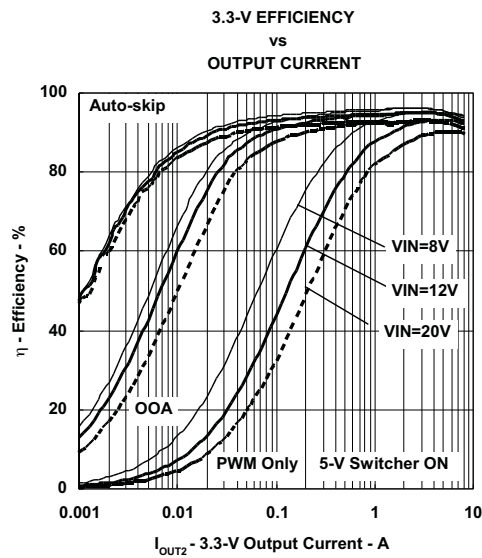


Figure 27.

TYPICAL CHARACTERISTICS (continued)

5-V Load Transient Response

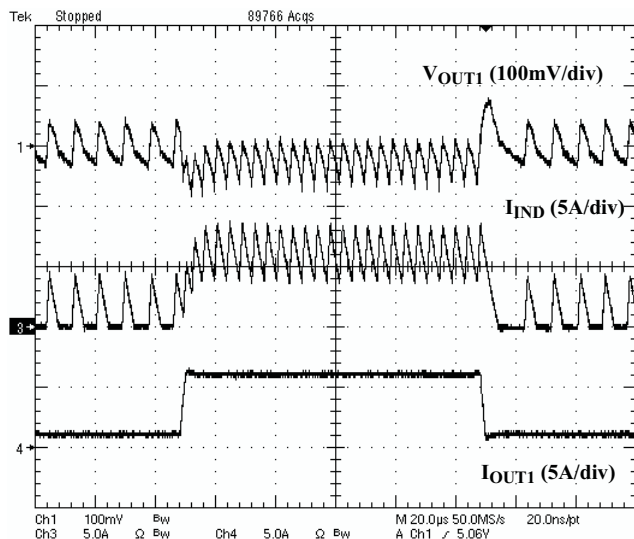


Figure 28.

3.3-V Load Transient Response

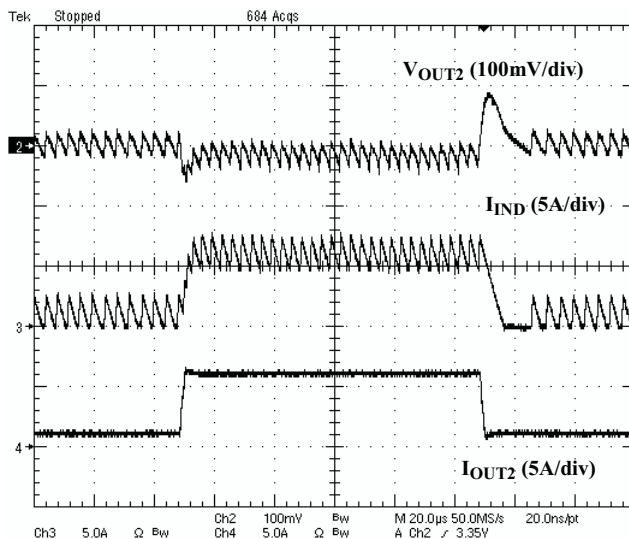


Figure 29.

5-V Startup Waveforms

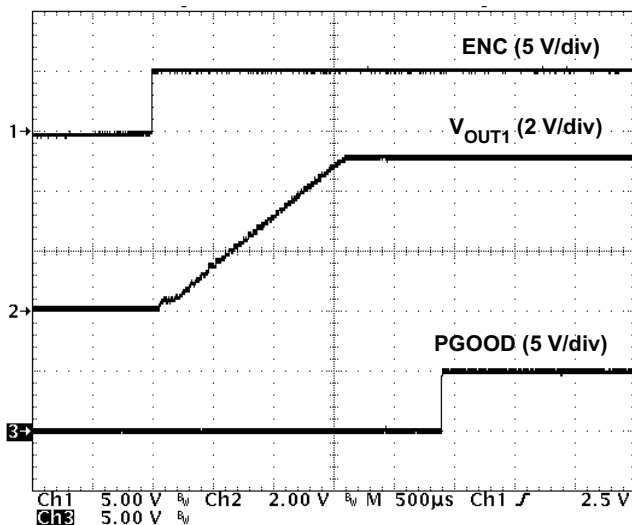


Figure 30.

3.3-V Startup Waveforms

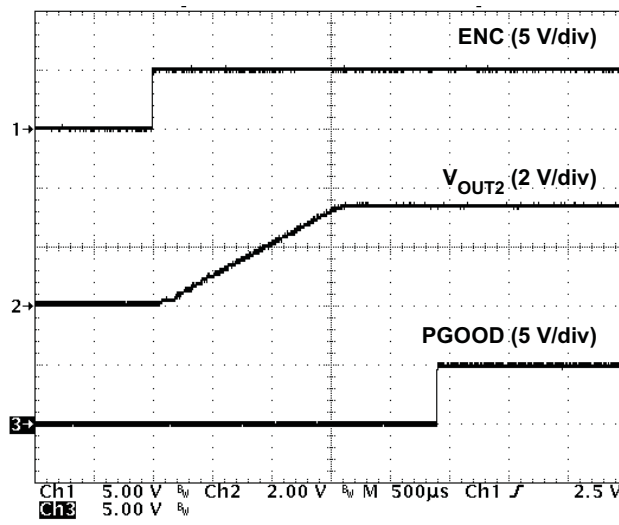


Figure 31.

TYPICAL CHARACTERISTICS (continued)

5-V Switchover Waveforms

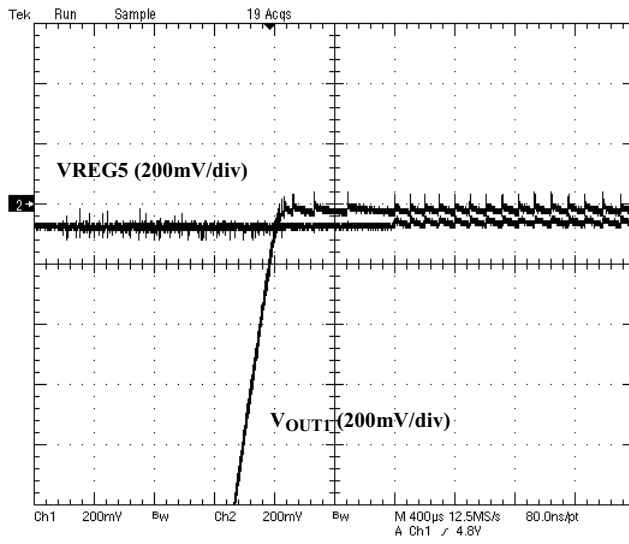


Figure 32.

3.3-V Switchover Waveforms

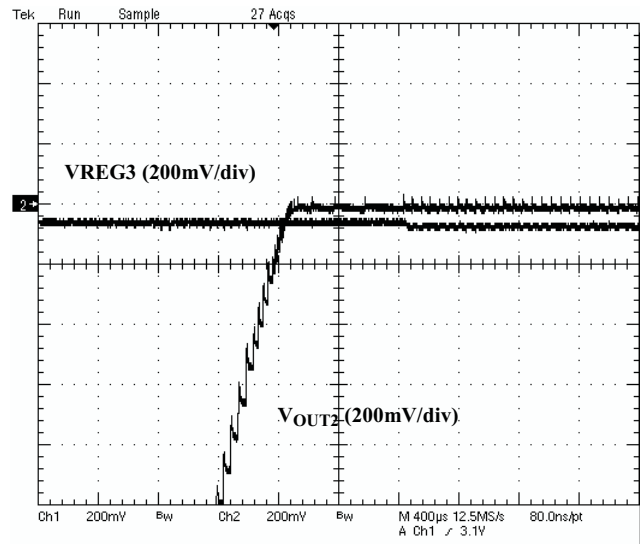


Figure 33.

5-V Soft-stop Waveforms

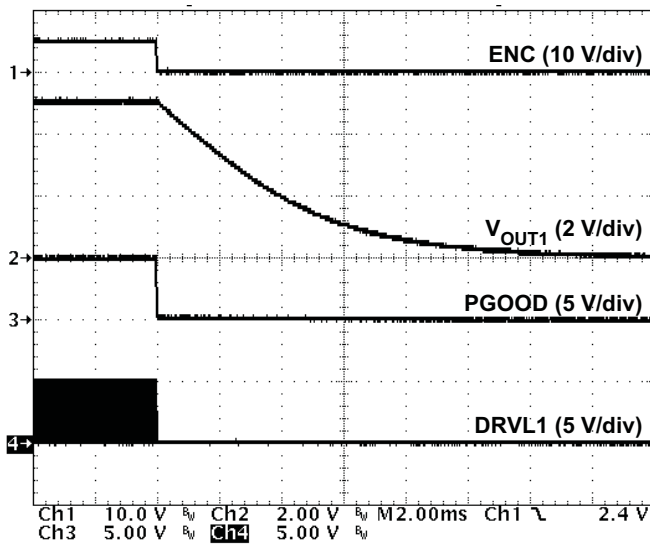


Figure 34.

3.3-V Soft-stop Waveforms

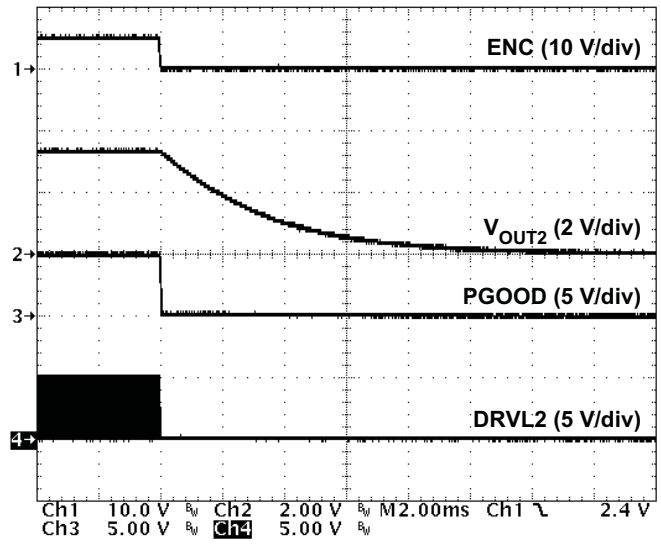


Figure 35.

APPLICATION INFORMATION

PWM Operations

The main control loop of the switch mode power supply (SMPS) is designed as an adaptive on-time pulse width modulation (PWM) controller. It supports a proprietary D-CAP™ mode. D-CAP™ mode does not require external compensation circuit and is suitable for low external component count configuration when used with appropriate amount of ESR at the output capacitor(s).

At the beginning of each cycle, the synchronous top MOSFET is turned on, or becomes 'ON' state. This MOSFET is turned off, or becomes 'OFF' state, after internal one shot timer expires. This one shot is determined by V_{IN} and V_{OUT} to keep frequency fairly constant over input voltage range, hence it is called adaptive on-time control. The MOSFET is turned on again when the feedback point voltage, VFB, decreased to match with internal 2-V reference. The inductor current information is also monitored and should be below the over current threshold to initiate this new cycle. Repeating operation in this manner, the controller regulates the output voltage. The synchronous bottom or the "rectifying" MOSFET is turned on at the beginning of each 'OFF' state to keep the conduction loss minimum. The rectifying MOSFET is turned off before the top MOSFET turns on at next switching cycle or when inductor current information detects zero level. In the auto-skip mode or the OOA skip mode, this enables seamless transition to the reduced frequency operation at light load condition so that high efficiency is kept over broad range of load current.

Adaptive On-Time Control and PWM Frequency

TPS51123 does not have a dedicated oscillator on board. However, the part runs with pseudo-constant frequency by feed-forwarding the input and output voltage into the on-time, one-shot timer. The on-time is controlled inverse proportional to the input voltage and proportional to the output voltage so that the duty ratio will be kept as V_{OUT}/V_{IN} technically with the same cycle time. The frequencies are set by TONSEL terminal connection as [Table 2](#).

Table 2. TONSEL Connection and Switching Frequency

| TONSEL CONNECTION | SWITCHING FREQUENCY (kHz) | |
|-------------------|---------------------------|-----|
| | CH1 | CH2 |
| GND | 200 | 250 |
| VREF | 245 | 305 |
| VREG3 | 300 | 375 |
| VREG5 | 365 | 460 |

Loop Compensation

From small-signal loop analysis, a buck converter using D-CAP™ mode can be simplified as below.

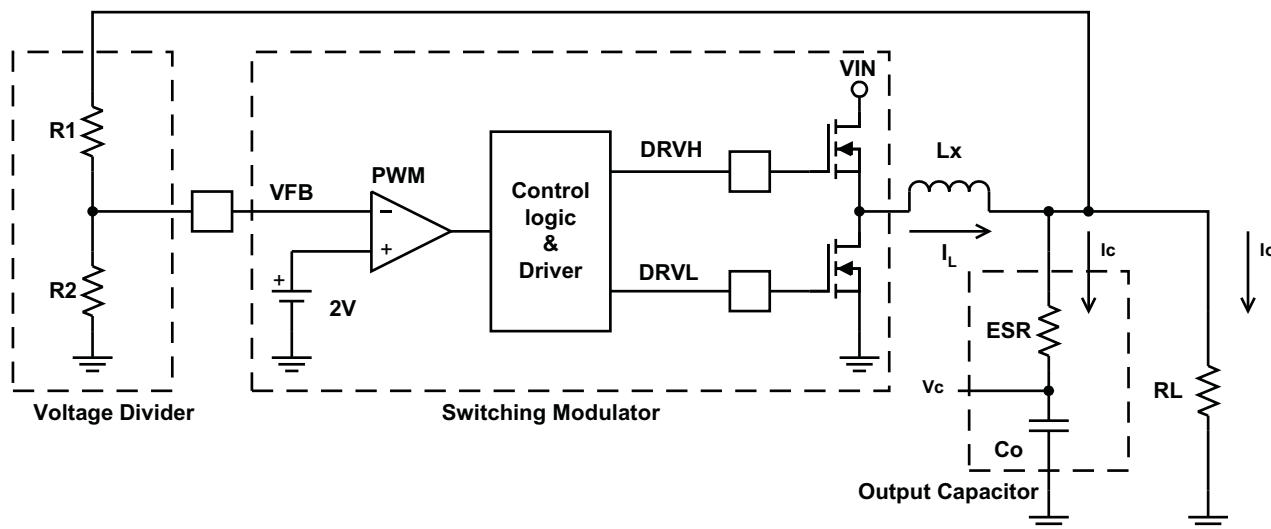


Figure 36. Simplifying the Modulator

The output voltage is compared with internal reference voltage after divider resistors, R1 and R2. The PWM comparator determines the timing to turn on high-side MOSFET. The gain and speed of the comparator is high enough to keep the voltage at the beginning of each on cycle substantially constant. For the loop stability, the 0dB frequency, f_0 , defined below need to be lower than 1/4 of the switching frequency.

$$f_0 = \frac{1}{2\pi \times \text{ESR} \times C_O} \leq \frac{f_{\text{SW}}}{4} \quad (1)$$

As f_0 is determined solely by the output capacitor's characteristics, loop stability of D-CAP™ mode is determined by the capacitor's chemistry. For example, specialty polymer capacitors (SP-CAP) have C_O in the order of several 100 μF and ESR in range of 10 m Ω . These make f_0 on the order of 100 kHz or less and the loop will be stable. However, ceramic capacitors have f_0 at more than 700 kHz, which is not suitable for this operational mode.

Ramp Signal

The TPS51123 adds a ramp signal to the 2-V reference in order to improve its jitter performance. As described in the previous section, the feedback voltage is compared with the reference information to keep the output voltage in regulation. By adding a small ramp signal to the reference, the S/N ratio at the onset of a new switching cycle is improved. Therefore the operation becomes less jitter and stable. The ramp signal is controlled to start with -20mV at the beginning of ON-cycle and to become 0 mV at the end of OFF-cycle in steady state. By using this scheme, the TPS51123 improve jitter performance without sacrificing the reference accuracy.

Light Load Condition in Auto-Skip Operation

The TPS51123 automatically reduces switching frequency at light load conditions to maintain high efficiency. This reduction of frequency is achieved smoothly and without increase of V_{OUT} ripple. Detail operation is described as follows. As the output current decreases from heavy load condition, the inductor current is also reduced and eventually comes to the point that its ‘valley’ touches zero current, which is the boundary between continuous conduction and discontinuous conduction modes. The rectifying MOSFET is turned off when this zero inductor current is detected. As the load current further decreased, the converter runs in discontinuous conduction mode and it takes longer and longer to discharge the output capacitor to the level that requires next ‘ON’ cycle. The ON time is kept the same as that in the heavy load condition. In reverse, when the output current increase from light load to heavy load, switching frequency increases to the preset value as the inductor current reaches to the continuous conduction. The transition load point to the light load operation $I_{OUT(LL)}$ (i.e. the threshold between continuous and discontinuous conduction mode) can be calculated as follows;

$$I_{OUT(LL)} = \frac{1}{2 \times L \times f} \times \frac{(V_{IN} - V_{OUT}) \times V_{OUT}}{V_{IN}} \tag{2}$$

where f is the PWM switching frequency.

Switching frequency versus output current in the light load condition is a function of L, V_{IN} and V_{OUT} , but it decreases almost proportional to the output current from the $I_{OUT(LL)}$ shown in Equation 2. For example, it is 60 kHz at $I_{OUT(LL)}/5$ if the frequency setting is 300 kHz.

Out-of-Audio™ Light-Load Operation

Out-of-Audio™ (OOA) light-load mode is a unique control feature that keeps the switching frequency above acoustic audible frequencies toward virtually no load condition while maintaining best of the art high conversion efficiency. When the Out-of-Audio™ operation is selected, OOA control circuit monitors the states of both MOSFET and force to change into the ‘ON’ state if both of MOSFETs are off for more than 32 μ s. This means that the top MOSFET is turned on even if the output voltage is higher than the target value so that the output capacitor is tends to be overcharged.

The OOA control circuit detects the over-voltage condition and begins to modulate the on time to keep the output voltage regulated. As a result, the output voltage becomes 0.5% higher than normal light-load operation.

Enable and Soft Start

EN0 is the control pin of VREG5, VREG3 and VREF regulators. Bring this node down to GND disables those three regulators and minimize the shutdown supply current to 10 μ A. Pulling this node up to 3.3 V or 5 V will turn the three regulators on to standby mode. The two switch mode power supplies (channel-1, channel-2) become ready to enable at this standby mode. The TPS51123 has an internal, 1.6 ms, voltage servo softstart for each channel. When the ENC pin becomes higher than the enable threshold voltage, which is typically 1.26 V, an internal DAC begins ramping up the reference voltage to both of the PWM comparators at the same time. Smooth control of the output voltage is maintained during start up.

Table 3. Enabling State

| EN0 | ENC | VREF | VREG5 | VREG3 | CH1 | CH2 |
|------|------------|------|-------|-------|-----|-----|
| GND | Don't Care | Off | Off | Off | Off | Off |
| Open | Off | On | On | On | Off | Off |
| Open | On | On | On | On | On | On |

VREG5/VREG3 Linear Regulators

There are two sets of 100-mA standby linear regulators which outputs 5 V and 3.3 V, respectively. The VREG5 serves as the main power supply for the analog circuitry of the device and provides the current for gate drivers. The VREG3 is intended mainly for auxiliary 3.3-V supply for the notebook system during standby mode.

Add a ceramic capacitor with a value of at least 33 μ F and place it close to the VREG5 pin, and add at most 10 μ F to the VREG3 pin. Total capacitance connected to the VREG3 pin should not exceed 10 μ F .

VREG5 Switch Over

When the VO1 voltage becomes higher than 4.7 V AND channel-1 internal powergood flag is generated, internal 5-V LDO regulator is shut off and the VREG5 output is connected to VO1 by internal switch over MOSFET. The 510- μ s powergood delay helps a switch over without glitch.

VREG3 Switch Over

When the VO2 voltage becomes higher than 3.15 V AND channel-2 internal powergood flag is generated, internal 3.3-V LDO regulator is shut off and the VREG3 output is connected to VO2 by internal switch over MOSFET. The 510- μ s powergood delay helps a switch over without glitch.

Powergood

The TPS51123 has one powergood output that indicates 'high' when both switcher outputs are within the targets (AND gated). The powergood function is activated with 2-ms internal delay after ENC goes high. If the output voltage becomes within $\pm 5\%$ of the target value, internal comparators detect power good state and the powergood signal becomes high after 510- μ s internal delay. Therefore PGOOD goes high around 2.5 ms after ENC goes high. If the output voltage goes outside of $\pm 10\%$ of the target value, the powergood signal becomes low after 2- μ s internal delay. The powergood output is an open drain output and is needed to be pulled up outside.

Also note that, in the case of Auto-skip or Out-of-Audio™ mode, if the output voltage goes +10% above the target value and the power-good signal flags low, then the loop attempts to correct the output by turning on the low-side driver (forced PWM mode). After the feedback voltage returns to be within +5% of the target value and the power-good signal goes high, the controller returns back to auto-skip mode or Out-of-Audio™ mode.

Output Discharge Control

When ENC is low, the TPS51123 discharges outputs using internal MOSFET which is connected to VOx and GND. The current capability of these MOSFETs is limited to discharge slowly.

Low-Side Driver

The low-side driver is designed to drive high current low $R_{DS(on)}$ N-channel MOSFET(s). The drive capability is represented by its internal resistance, which are 4 Ω for VREG5 to DRVLx and 1.5 Ω for DRVLx to GND. A dead time to prevent shoot through is internally generated between top MOSFET off to bottom MOSFET on, and bottom MOSFET off to top MOSFET on. 5-V bias voltage is delivered from VREG5 supply. The instantaneous drive current is supplied by an input capacitor connected between VREG5 and GND. The average drive current is equal to the gate charge at $V_{gs} = 5$ V times switching frequency. This gate drive current as well as the high-side gate drive current times 5 V makes the driving power which need to be dissipated from TPS51123 package.

High-Side Driver

The high-side driver is designed to drive high current, low $R_{DS(on)}$ N-channel MOSFET(s). When configured as a floating driver, 5-V bias voltage is delivered from VREG5 supply. The average drive current is also calculated by the gate charge at $V_{gs} = 5$ V times switching frequency. The instantaneous drive current is supplied by the flying capacitor between VBSTx and LLx pins. The drive capability is represented by its internal resistance, which are 4 Ω for VBSTx to DRVHx and 1.5 Ω for DRVHx to LLx.

Current Protection

TPS51123 has cycle-by-cycle over current limiting control. The inductor current is monitored during the ‘OFF’ state and the controller keeps the ‘OFF’ state during the inductor current is larger than the over current trip level. In order to provide both good accuracy and cost effective solution, TPS51123 supports temperature compensated MOSFET $R_{DS(on)}$ sensing. The TRIPx pin should be connected to GND through the trip voltage setting resistor, R_{TRIP} . TRIPx terminal sources I_{TRIP} current, which is 10 μ A typically at room temperature, and the trip level is set to the OCL trip voltage V_{TRIP} as below. Note that the V_{TRIP} is limited up to about 205 mV internally.

$$V_{TRIP} (mV) = \frac{R_{TRIP} (k\Omega) \times I_{TRIP} (\mu A)}{9} - 24 (mV) \tag{3}$$

Note that when TRIPx voltage is under a certain threshold (typically 0.4V), the switcher channel concerned is shut down. The inductor current is monitored by the voltage between GND pin and LLx pin so that LLx pin should be connected to the drain terminal of the bottom MOSFET properly. I_{trip} has 4500 ppm/°C temperature slope to compensate the temperature dependency of the $R_{DS(on)}$. GND is used as the positive current sensing node so that GND should be connected to the proper current sensing device, i.e. the source terminal of the bottom MOSFET.

As the comparison is done during the ‘OFF’ state, V_{TRIP} sets valley level of the inductor current. Thus, the load current at over current threshold, I_{OCP} , can be calculated as follows;

$$I_{OCP} = \frac{V_{TRIP}}{R_{DS(on)}} + \frac{I_{RIPPLE}}{2} = \frac{V_{TRIP}}{R_{DS(on)}} + \frac{1}{2 \times L \times f} \times \frac{(V_{IN} - V_{OUT}) \times V_{OUT}}{V_{IN}} \tag{4}$$

In an over current condition, the current to the load exceeds the current to the output capacitor thus the output voltage tends to fall down. Eventually, it ends up with crossing the under voltage protection threshold and shutdown both channels.

Overvoltage and Undervoltage Protection

TPS51123 monitors a resistor divided feedback voltage to detect over and under voltage. When the feedback voltage becomes higher than 115% of the target voltage, the OVP comparator output goes high and the circuit latches as the top MOSFET driver OFF and the bottom MOSFET driver ON.

Also, TPS51123 monitors V_{OX} voltage directly and if it becomes greater than 5.75 V the TPS51123 turns off the top MOSFET driver.

When the feedback voltage becomes lower than 60% of the target voltage, the UVP comparator output goes high and an internal UVP delay counter begins counting. After 32 μ s, TPS51123 latches OFF both top and bottom MOSFETs drivers, and shut off both drivers of another channel. This function is enabled after 2 ms following ENC has become high.

UVLO Protection

TPS51123 has VREG5 under voltage lock out protection (UVLO). When the VREG5 voltage is lower than UVLO threshold voltage both switch mode power supplies are shut off. This is non-latch protection. When the VREG3 voltage is lower than (VO2 - 1 V), both switch mode power supplies are also shut off

Thermal Shutdown

TPS51123 monitors the temperature of itself. If the temperature exceeds the threshold value (typically 150°C), TPS51123 is shut off including LDOs. This is non-latch protection.

External Parts Selection

The external components selection is much simple in D-CAP™ Mode.

1. Determine output voltage

The output voltage is programmed by the voltage-divider resistor, R1 and R2, as shown in [Figure 36](#). R1 is connected between VFBx pin and the output, and R2 is connected between the VFBx pin and GND.

Recommended R2 value is from 10 kΩ to 20 kΩ. Determine R1 using equation as below.

$$R1 = \frac{(V_{OUT} - 2.0)}{2.0} \times R2 \quad (5)$$

2. Choose the Inductor

The inductance value should be determined to give the ripple current of approximately 1/4 to 1/2 of maximum output current. Larger ripple current increases output ripple voltage and improves S/N ratio and helps stable operation.

$$L = \frac{1}{I_{IND(ripple)} \times f} \times \frac{(V_{IN(max)} - V_{OUT}) \times V_{OUT}}{V_{IN(max)}} = \frac{3}{I_{OUT(max)} \times f} \times \frac{(V_{IN(max)} - V_{OUT}) \times V_{OUT}}{V_{IN(max)}} \quad (6)$$

The inductor also needs to have low DCR to achieve good efficiency, as well as enough room above peak inductor current before saturation. The peak inductor current can be estimated as follows.

$$I_{IND(peak)} = \frac{V_{TRIP}}{R_{DS(on)}} + \frac{1}{L \times f} \times \frac{(V_{IN(max)} - V_{OUT}) \times V_{OUT}}{V_{IN(max)}} \quad (7)$$

3. Choose the Output Capacitor(s)

Organic semiconductor capacitor(s) or specialty polymer capacitor(s) are recommended. Determine ESR to meet required ripple voltage. A quick approximation is as shown in [Equation 8](#). This equation is based on that required output ripple slope is approximately 20 mV per T_{SW} (switching period) in terms of VFB terminal voltage.

$$ESR = \frac{V_{OUT} \times 20(\text{mV}) \times (1-D)}{2(\text{V}) \times I_{RIPPLE}} - \frac{20(\text{mV}) \times L \times f}{2(\text{V})} \quad (8)$$

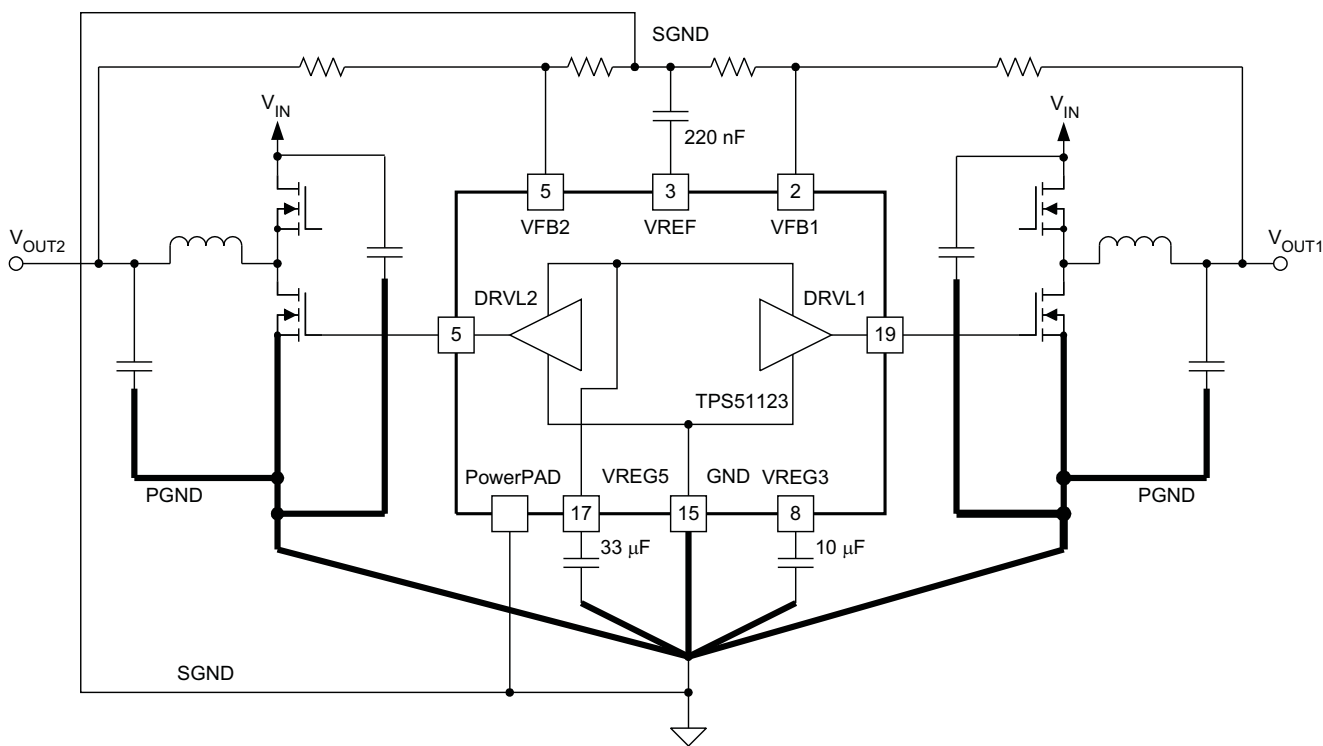
where

- D is the duty cycle

Layout Considerations

Certain points must be considered before starting a layout work using the TPS51123.

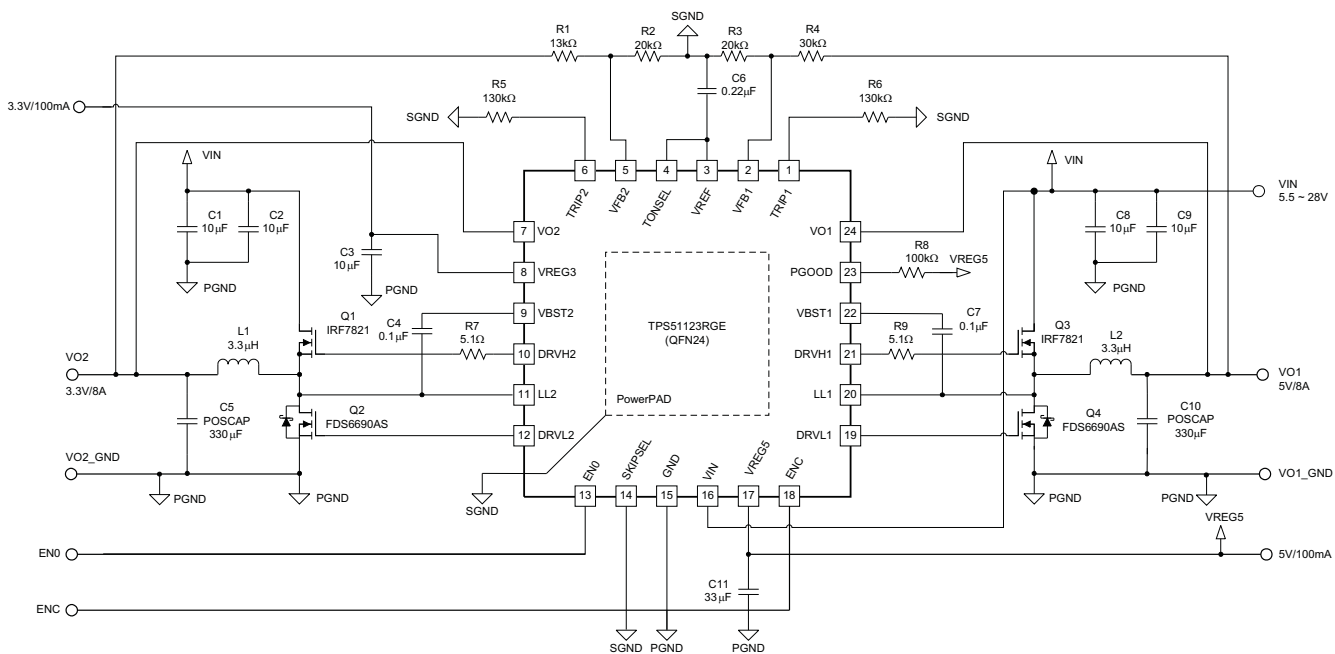
- TPS51123 has only one GND pin and special care of GND trace design makes operation stable, especially when both channels operate. Group GND terminals of output voltage divider of both channels and the VREF capacitor as close as possible, and connect them to an inner GND plane with PowerPad and the overcurrent setting resistor, as shown in the thin GND line of [Figure 37](#). This trace is named Signal Ground (SGND). Group ground terminals of VIN capacitor(s), VOUT capacitor(s) and source of low-side MOSFETs as close as possible, and connect them to another inner GND plane with GND pin of the device and the GND terminal of VREG3 and VREG5 capacitors, as shown in the bold GND line of [Figure 37](#). This trace is named Power Ground (PGND). SGND should be connected to PGND at the middle point between ground terminal of VOUT capacitors.
- Inductor, VOUT capacitor(s), VIN capacitor(s) and MOSFETs are the power components and should be placed on one side of the PCB (solder side). Power components of each channel should be at the same distance from the TPS51123. Other small signal parts should be placed on another side (component side). Inner GND planes should shield and isolate the small signal traces from noisy power lines.
- PCB trace defined as LLx node, which connects to source of high-side MOSFET, drain of low-side MOSFET and high-voltage side of the inductor, should be as short and wide as possible.
- VREG5 requires capacitance of at least 33- μ F and VREG3 requires capacitance of at most 10- μ F. VREF requires a 220-nF ceramic bypass capacitor which should be placed close to the device and traces should be no longer than 10 mm.
- Connect the overcurrent setting resistors from TRIPx to SGND and close to the device, right next to the device if possible.
- The discharge path (VOx) should have a dedicated trace to the output capacitor; separate from the output voltage sensing trace. When LDO5 is switched over Vo1 trace should be 1.5 mm with no loops. When LDO3 is switched over and loaded Vo2 trace should also be 1.5 mm with no loops. There is no restriction for just monitoring Vox. Make the feedback current setting resistor (the resistor between VFBx to SGND) close to the device. Place on the component side and avoid vias between this resistor and the device.
- Connections from the drivers to the respective gate of the high-side or the low-side MOSFET should be as short as possible to reduce stray inductance. Use 0.65-mm (25 mils) or wider trace and via(s) of at least 0.5 mm (20 mils) diameter along this trace.
- All sensitive analog traces and components such as VOx, VFBx, VREF, GND, EN0, TRIPx, PGOOD, TONSEL and SKIPSEL should be placed away from high-voltage switching nodes such as LLx, DRVLx, and DRVHx nodes to avoid coupling.
- Traces for VFB1 and VFB2 should be short and laid apart each other to avoid channel to channel interference.
- In order to effectively remove heat from the package, prepare thermal land and solder to the package's thermal pad. Three by three or more vias with a 0.33-mm (13 mils) diameter connected from the thermal land to the internal ground plane should be used to help dissipation. This thermal land underneath the package should be connected to SGND, and should NOT be connected to PGND.



UDG-08166

Figure 37. GND system of DC/DC converter using the TPS51123

Application Circuit



UDG-08165

Figure 38. 5-V/8-A, 3.3-V/8-A Application Circuit (245-kHz/305-kHz Setting)

List of Materials for 5-V/8-A, 3.3-V/8-A Application Circuit

| REFERENCE DESIGNATOR | SPECIFICATION | MANUFACTURER | PART NUMBER |
|-----------------------|--------------------------------------|--------------|----------------|
| C1, C2, C8, C9 | 10 μ F/25 V | Taiyo Yuden | TMK325BJ106MM |
| C3 | 10 μ F/6.3 V | TDK | C2012X5R0J106K |
| C11 | 33 μ F/6.3V | TDK | C3216X5RBJ336M |
| C5, C10 | 330 μ F/6.3 V/25 m Ω | Sanyo | 6TPE330ML |
| L1, L2 | 3.3 μ H, 15.6 A, 5.92 m Ω | TOKO | FDA1055-3R3M |
| Q1, Q3 | 30 V, 9.5 m Ω | IR | IRF7821 |
| Q2, Q4 ⁽¹⁾ | 30 V, 12 m Ω | Fairchild | FDS6690AS |

(1) Use a MOSFET with an integrated Schottky barrier diode (SBD) for the low-side, or add an SBD in parallel with a normal MOSFET.

PACKAGING INFORMATION

| Orderable Device | Status ⁽¹⁾ | Package Type | Package Drawing | Pins | Package Qty | Eco Plan ⁽²⁾ | Lead/Ball Finish | MSL Peak Temp ⁽³⁾ |
|------------------|-----------------------|--------------|-----------------|------|-------------|-------------------------|------------------|------------------------------|
| TPS51123RGER | ACTIVE | VQFN | RGE | 24 | 3000 | Green (RoHS & no Sb/Br) | CU NIPDAU | Level-2-260C-1 YEAR |
| TPS51123RGET | ACTIVE | VQFN | RGE | 24 | 250 | Green (RoHS & no Sb/Br) | CU NIPDAU | Level-2-260C-1 YEAR |

⁽¹⁾ The marketing status values are defined as follows:

ACTIVE: Product device recommended for new designs.

LIFEBUY: TI has announced that the device will be discontinued, and a lifetime-buy period is in effect.

NRND: Not recommended for new designs. Device is in production to support existing customers, but TI does not recommend using this part in a new design.

PREVIEW: Device has been announced but is not in production. Samples may or may not be available.

OBsolete: TI has discontinued the production of the device.

⁽²⁾ Eco Plan - The planned eco-friendly classification: Pb-Free (RoHS), Pb-Free (RoHS Exempt), or Green (RoHS & no Sb/Br) - please check <http://www.ti.com/productcontent> for the latest availability information and additional product content details.

TBD: The Pb-Free/Green conversion plan has not been defined.

Pb-Free (RoHS): TI's terms "Lead-Free" or "Pb-Free" mean semiconductor products that are compatible with the current RoHS requirements for all 6 substances, including the requirement that lead not exceed 0.1% by weight in homogeneous materials. Where designed to be soldered at high temperatures, TI Pb-Free products are suitable for use in specified lead-free processes.

Pb-Free (RoHS Exempt): This component has a RoHS exemption for either 1) lead-based flip-chip solder bumps used between the die and package, or 2) lead-based die adhesive used between the die and leadframe. The component is otherwise considered Pb-Free (RoHS compatible) as defined above.

Green (RoHS & no Sb/Br): TI defines "Green" to mean Pb-Free (RoHS compatible), and free of Bromine (Br) and Antimony (Sb) based flame retardants (Br or Sb do not exceed 0.1% by weight in homogeneous material)

⁽³⁾ MSL, Peak Temp. -- The Moisture Sensitivity Level rating according to the JEDEC industry standard classifications, and peak solder temperature.

Important Information and Disclaimer:The information provided on this page represents TI's knowledge and belief as of the date that it is provided. TI bases its knowledge and belief on information provided by third parties, and makes no representation or warranty as to the accuracy of such information. Efforts are underway to better integrate information from third parties. TI has taken and continues to take reasonable steps to provide representative and accurate information but may not have conducted destructive testing or chemical analysis on incoming materials and chemicals. TI and TI suppliers consider certain information to be proprietary, and thus CAS numbers and other limited information may not be available for release.

In no event shall TI's liability arising out of such information exceed the total purchase price of the TI part(s) at issue in this document sold by TI to Customer on an annual basis.

TAPE AND REEL INFORMATION



QUADRANT ASSIGNMENTS FOR PIN 1 ORIENTATION IN TAPE



*All dimensions are nominal

| Device | Package Type | Package Drawing | Pins | SPQ | Reel Diameter (mm) | Reel Width W1 (mm) | A0 (mm) | B0 (mm) | K0 (mm) | P1 (mm) | W (mm) | Pin1 Quadrant |
|--------------|--------------|-----------------|------|------|--------------------|--------------------|---------|---------|---------|---------|--------|---------------|
| TPS51123RGER | VQFN | RGE | 24 | 3000 | 330.0 | 12.4 | 4.3 | 4.3 | 1.5 | 8.0 | 12.0 | Q2 |
| TPS51123RGET | VQFN | RGE | 24 | 250 | 180.0 | 12.4 | 4.3 | 4.3 | 1.5 | 8.0 | 12.0 | Q2 |

TAPE AND REEL BOX DIMENSIONS

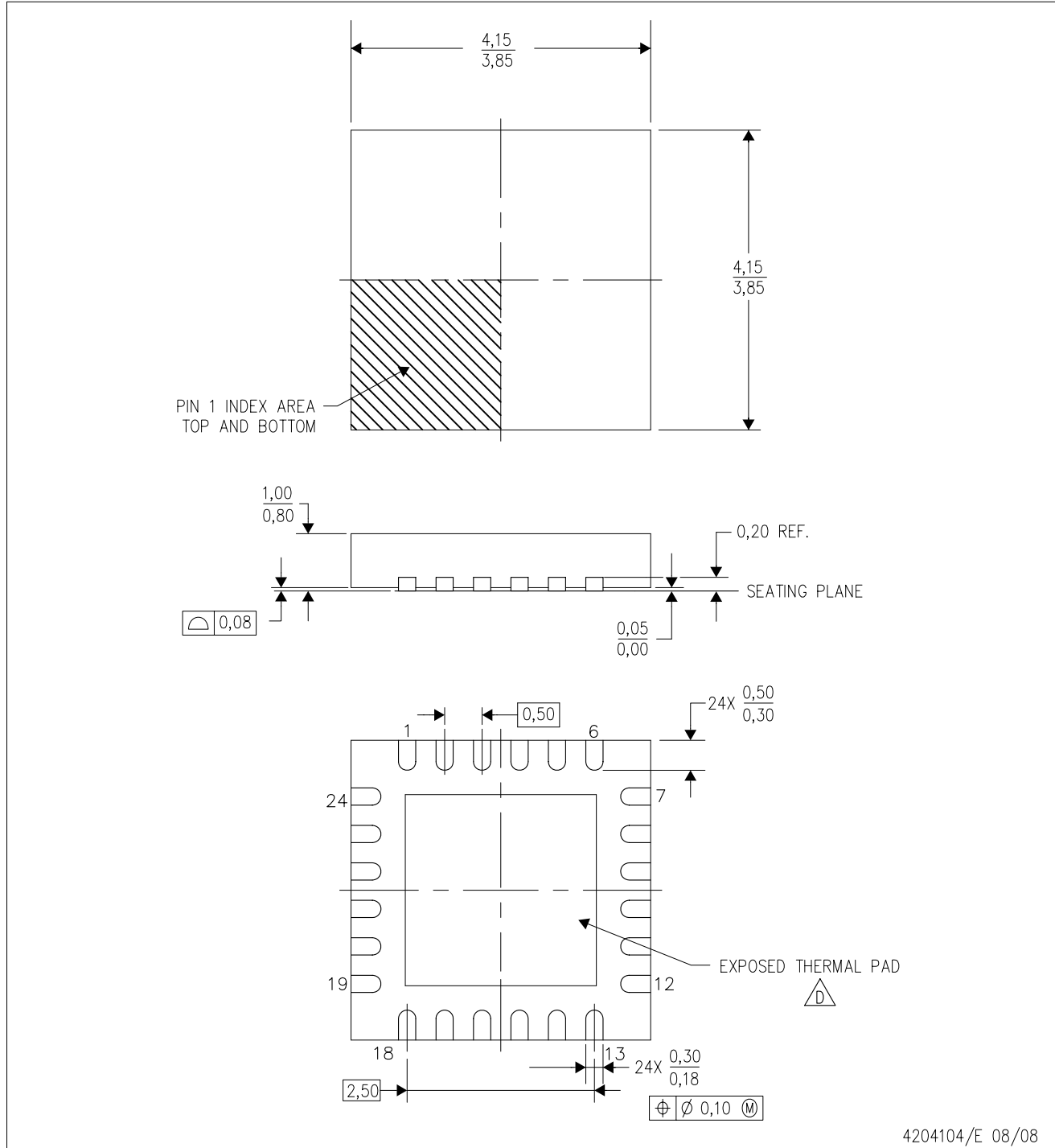



*All dimensions are nominal

| Device | Package Type | Package Drawing | Pins | SPQ | Length (mm) | Width (mm) | Height (mm) |
|--------------|--------------|-----------------|------|------|-------------|------------|-------------|
| TPS51123RGER | VQFN | RGE | 24 | 3000 | 346.0 | 346.0 | 29.0 |
| TPS51123RGET | VQFN | RGE | 24 | 250 | 190.5 | 212.7 | 31.8 |

RGE (S-PVQFN-N24)

PLASTIC QUAD FLATPACK NO-LEAD



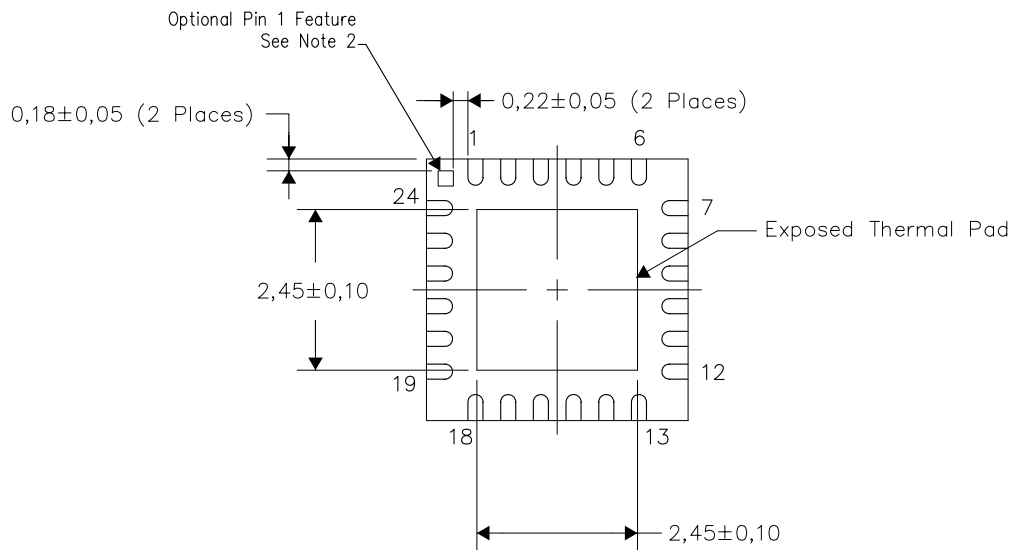
- NOTES:
- A. All linear dimensions are in millimeters. Dimensioning and tolerancing per ASME Y14.5M-1994.
 - B. This drawing is subject to change without notice.
 - C. Quad Flatpack, No-Leads (QFN) package configuration.
 -  The package thermal pad must be soldered to the board for thermal and mechanical performance. See the Product Data Sheet for details regarding the exposed thermal pad dimensions.
 - E. Falls within JEDEC MO-220.

THERMAL INFORMATION

This package incorporates an exposed thermal pad that is designed to be attached directly to an external heatsink. The thermal pad must be soldered directly to the printed circuit board (PCB). After soldering, the PCB can be used as a heatsink. In addition, through the use of thermal vias, the thermal pad can be attached directly to the appropriate copper plane shown in the electrical schematic for the device, or alternatively, can be attached to a special heatsink structure designed into the PCB. This design optimizes the heat transfer from the integrated circuit (IC).

For information on the Quad Flatpack No-Lead (QFN) package and its advantages, refer to Application Report, QFN/SON PCB Attachment, Texas Instruments Literature No. SLUA271. This document is available at www.ti.com.

The exposed thermal pad dimensions for this package are shown in the following illustration.



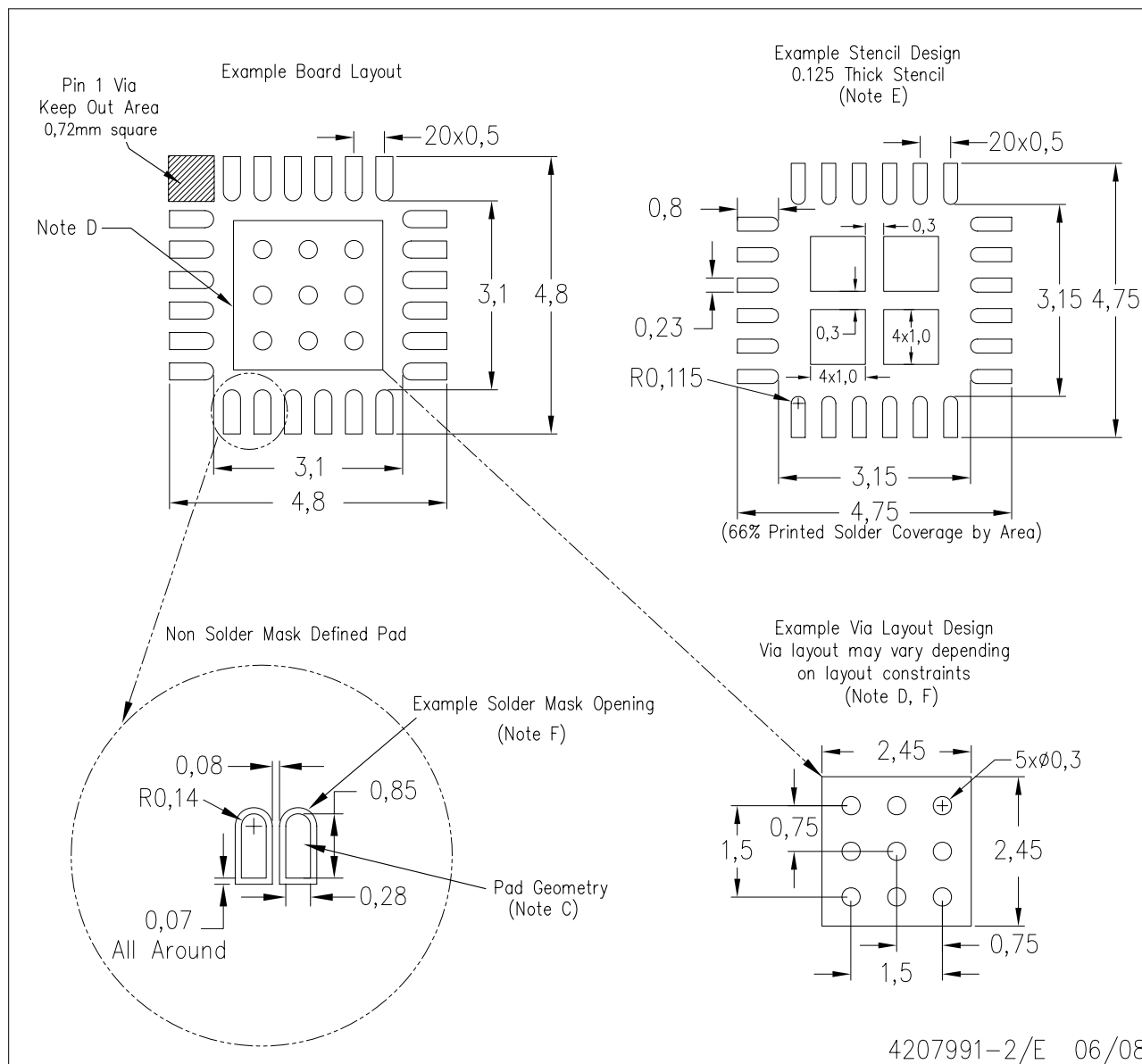
Bottom View

Exposed Thermal Pad Dimensions

NOTES:

- 1) All linear dimensions are in millimeters
- 2) The Pin 1 Identification mark is an optional feature that may be present on some devices
In addition, this Pin 1 feature if present is electrically connected to the center thermal pad and therefore should be considered when routing the board layout.

RGE (S-PVQFN-N24)



- NOTES:
- All linear dimensions are in millimeters.
 - This drawing is subject to change without notice.
 - Publication IPC-7351 is recommended for alternate designs.
 - This package is designed to be soldered to a thermal pad on the board. Refer to Application Note, Quad Flat-Pack Packages, Texas Instruments Literature No. SCBA017, SLUA271, and also the Product Data Sheets for specific thermal information, via requirements, and recommended board layout. These documents are available at www.ti.com <<http://www.ti.com>>.
 - Laser cutting apertures with trapezoidal walls and also rounding corners will offer better paste release. Customers should contact their board assembly site for stencil design recommendations. Refer to IPC 7525 for stencil design considerations.
 - Customers should contact their board fabrication site for recommended solder mask tolerances and via tenting recommendations for vias placed in the thermal pad.

IMPORTANT NOTICE

Texas Instruments Incorporated and its subsidiaries (TI) reserve the right to make corrections, modifications, enhancements, improvements, and other changes to its products and services at any time and to discontinue any product or service without notice. Customers should obtain the latest relevant information before placing orders and should verify that such information is current and complete. All products are sold subject to TI's terms and conditions of sale supplied at the time of order acknowledgment.

TI warrants performance of its hardware products to the specifications applicable at the time of sale in accordance with TI's standard warranty. Testing and other quality control techniques are used to the extent TI deems necessary to support this warranty. Except where mandated by government requirements, testing of all parameters of each product is not necessarily performed.

TI assumes no liability for applications assistance or customer product design. Customers are responsible for their products and applications using TI components. To minimize the risks associated with customer products and applications, customers should provide adequate design and operating safeguards.

TI does not warrant or represent that any license, either express or implied, is granted under any TI patent right, copyright, mask work right, or other TI intellectual property right relating to any combination, machine, or process in which TI products or services are used. Information published by TI regarding third-party products or services does not constitute a license from TI to use such products or services or a warranty or endorsement thereof. Use of such information may require a license from a third party under the patents or other intellectual property of the third party, or a license from TI under the patents or other intellectual property of TI.

Reproduction of TI information in TI data books or data sheets is permissible only if reproduction is without alteration and is accompanied by all associated warranties, conditions, limitations, and notices. Reproduction of this information with alteration is an unfair and deceptive business practice. TI is not responsible or liable for such altered documentation. Information of third parties may be subject to additional restrictions.

Resale of TI products or services with statements different from or beyond the parameters stated by TI for that product or service voids all express and any implied warranties for the associated TI product or service and is an unfair and deceptive business practice. TI is not responsible or liable for any such statements.

TI products are not authorized for use in safety-critical applications (such as life support) where a failure of the TI product would reasonably be expected to cause severe personal injury or death, unless officers of the parties have executed an agreement specifically governing such use. Buyers represent that they have all necessary expertise in the safety and regulatory ramifications of their applications, and acknowledge and agree that they are solely responsible for all legal, regulatory and safety-related requirements concerning their products and any use of TI products in such safety-critical applications, notwithstanding any applications-related information or support that may be provided by TI. Further, Buyers must fully indemnify TI and its representatives against any damages arising out of the use of TI products in such safety-critical applications.

TI products are neither designed nor intended for use in military/aerospace applications or environments unless the TI products are specifically designated by TI as military-grade or "enhanced plastic." Only products designated by TI as military-grade meet military specifications. Buyers acknowledge and agree that any such use of TI products which TI has not designated as military-grade is solely at the Buyer's risk, and that they are solely responsible for compliance with all legal and regulatory requirements in connection with such use.

TI products are neither designed nor intended for use in automotive applications or environments unless the specific TI products are designated by TI as compliant with ISO/TS 16949 requirements. Buyers acknowledge and agree that, if they use any non-designated products in automotive applications, TI will not be responsible for any failure to meet such requirements.

Following are URLs where you can obtain information on other Texas Instruments products and application solutions:

Products

| | |
|-----------------------------|--|
| Amplifiers | amplifier.ti.com |
| Data Converters | dataconverter.ti.com |
| DSP | dsp.ti.com |
| Clocks and Timers | www.ti.com/clocks |
| Interface | interface.ti.com |
| Logic | logic.ti.com |
| Power Mgmt | power.ti.com |
| Microcontrollers | microcontroller.ti.com |
| RFID | www.ti-rfid.com |
| RF/IF and ZigBee® Solutions | www.ti.com/lprf |

Applications

| | |
|--------------------|--|
| Audio | www.ti.com/audio |
| Automotive | www.ti.com/automotive |
| Broadband | www.ti.com/broadband |
| Digital Control | www.ti.com/digitalcontrol |
| Medical | www.ti.com/medical |
| Military | www.ti.com/military |
| Optical Networking | www.ti.com/opticalnetwork |
| Security | www.ti.com/security |
| Telephony | www.ti.com/telephony |
| Video & Imaging | www.ti.com/video |
| Wireless | www.ti.com/wireless |

Mailing Address: Texas Instruments, Post Office Box 655303, Dallas, Texas 75265
Copyright © 2008, Texas Instruments Incorporated