

8

7

6

5

4

3

2

1

- 1. ALL RESISTANCE VALUES ARE IN OHMS, 0.1 WATT +/- 5%.
- 2. ALL CAPACITANCE VALUES ARE IN MICROFARADS.
- 3. ALL CRYSTALS & OSCILLATOR VALUES ARE IN HERTZ.

REV	ZONE	ECN	DESCRIPTION OF CHANGE	CK APPD DATE	ENG APPD DATE
				?	?


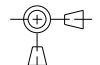
SCHEM, LIO, MBP17

05/07/07

PDF PAGE	CSA PAGE	CONTENTS	SYNC MASTER	DATE
1	1	Table of Contents	M76_LIO	11/27/2006
2	2	Block Diagram	M76_LIO	11/27/2006
3	4	BOM CONFIGURATION	M76_LIO	11/27/2006
4	8	Aliases	M76_LIO	11/27/2006
5	34	PCI-E MiniCard Connector	M75_LIO	04/10/2007
6	35	ExpressCard Connector	M75_LIO	04/10/2007
7	36	MLB I/O Board Connector	M76_LIO	11/27/2006
8	46	Left USB Port	M76_LIO	11/27/2006
9	58	Left ALS	M76_LIO	11/27/2006
10	62	AUDIO: CODEC	M76_AUDIO	05/04/2007
11	63	AUDIO: LINE IN	M76_AUDIO	05/04/2007
12	65	AUDIO: HEADPHONE AMP	M76_AUDIO	05/04/2007
13	66	AUDIO: SPEAKER AMP	M76_AUDIO	05/04/2007
14	67	AUDIO: JACKS	M76_AUDIO	05/04/2007
15	68	AUDIO: JACK TRANSLATORS	M76_AUDIO	05/04/2007
16	69	DC-In & Battery Connectors	M76_LIO	11/27/2006
17	76	5V/3.3V SUPPLY	M57_LIO	11/30/2006
18	96	LEFT I/O POWER CONNECTOR	M76_LIO	11/27/2006
19	97	Cross Reference Page	M76_LIO	11/27/2006
20	98	Cross Reference Page	M76_LIO	11/27/2006
21	100	HISTORY: NON-AUDIO	(MASTER)	(MASTER)
22	101		M76_AUDIO	05/04/2007
23	102	Cross Reference Page		
24	103	Cross Reference Page		

ALIASES RESOLVED

PART#	QTY	DESCRIPTION	REFERENCE DESIGNATOR(S)	CRITICAL	BOM OPTION
051-7268	1	SCHEM, LIO, MBP17	SCH	CRITICAL	
820-2140	1	PCBF, LIO, MBP17	PCB	CRITICAL	

DIMENSIONS ARE IN MILLIMETERS		METRIC		 Apple Computer Inc.	
XX :	_____	DRAPTER	/	DESIGN CK	/
X.XX :	_____	ENG APPD	/	MFG APPD	/
X.XXX :	_____	QA APPD	/	DESIGNER	/
ANGLES :	_____	RELEASE	/	SCALE	NONE
DO NOT SCALE DRAWING		MATERIAL/FINISH NOTED AS APPLICABLE		SIZE	D
 THIRD ANGLE PROJECTION		DRAWING NUMBER		051-7268	REV. A.0.0
SHT 1 OF 24					

8

7

6

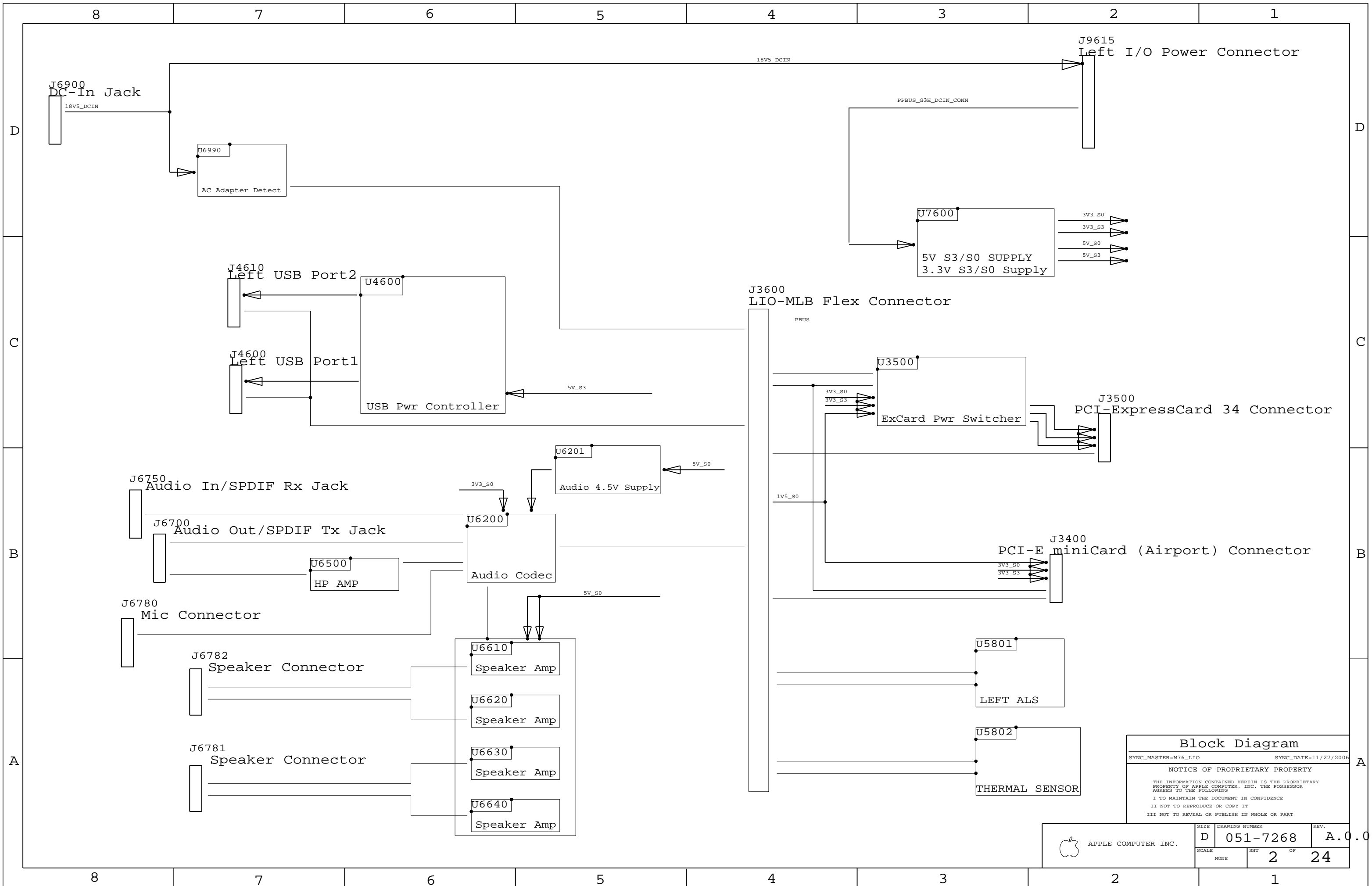
5

4

3

2

1



Block Diagram

SYNC_MASTER=M76_LIO SYNC_DATE=11/27/2006

NOTICE OF PROPRIETARY PROPERTY

THE INFORMATION CONTAINED HEREIN IS THE PROPRIETARY PROPERTY OF APPLE COMPUTER, INC. THE POSSESSOR AGREES TO THE FOLLOWING

I TO MAINTAIN THE DOCUMENT IN CONFIDENCE

II NOT TO REPRODUCE OR COPY IT

III NOT TO REVEAL OR PUBLISH IN WHOLE OR PART

APPLE COMPUTER INC.	SIZE D	DRAWING NUMBER 051-7268	REV. A.0.0
	SCALE NONE	SHT 2	OF 24

8 7 6 5 4 3 2 1

BOM NUMBER	BOM NAME	BOM OPTIONS
630-7980	PCBA, LIMA, M76	COMMON

PART NUMBER	ALTERNATE FOR PART NUMBER	BOM OPTION	REF DES	COMMENTS:
35381297	35381717		U6990	TI Alt Src

BAR CODE LABEL / EEE#'S


PART NUMBER	QTY	DESCRIPTION	REFERENCE DES	CRITICAL	BOM OPTION
000-0041	1	LBL, P/N LABEL, PCB	[EEE:XBD]	CRITICAL	

PART#	QTY	DESCRIPTION	REFERENCE DESIGNATOR(S)	CRITICAL	BOM OPTION
815-8851	1	ALS SPACER, M9	SP6401	CRITICAL	

D
C
B
A

D
C
B
A

BOM CONFIGURATION	
SYNC_MASTER=M76_LIO	SYNC_DATE=11/27/2006
NOTICE OF PROPRIETARY PROPERTY	
THE INFORMATION CONTAINED HEREIN IS THE PROPRIETARY PROPERTY OF APPLE COMPUTER, INC. THE POSSESSOR AGREES TO THE FOLLOWING	
I TO MAINTAIN THE DOCUMENT IN CONFIDENCE	
II NOT TO REPRODUCE OR COPY IT	
III NOT TO REVEAL OR PUBLISH IN WHOLE OR PART	

 APPLE COMPUTER INC.	SIZE	DRAWING NUMBER	REV.
	D	051-7268	A.0.0
SCALE	SHT	OF	
NONE	3	24	

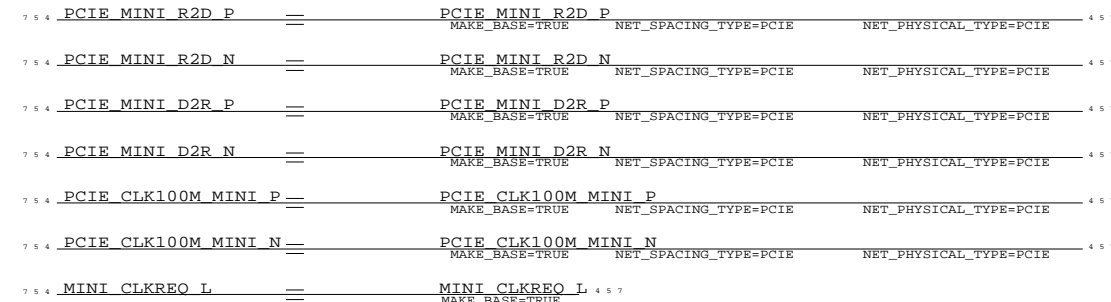
8 7 6 5 4 3 2 1

POWER & GROUNDS

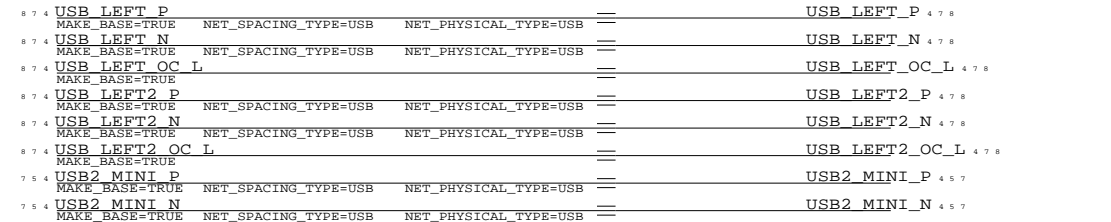
PCI-E EXPRESS CARD 34



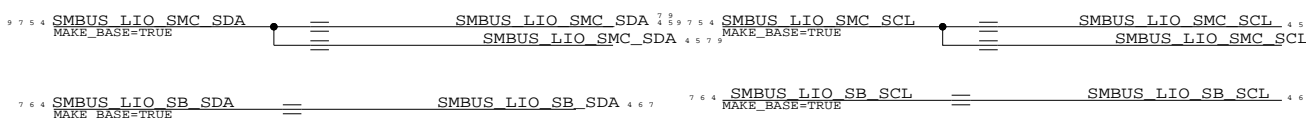
PCI-E MINICARD



USB



SMBUS



Aliases

SYNC_MASTER=M76_LIO SYNC_DATE=11/27/2006

NOTICE OF PROPRIETARY PROPERTY

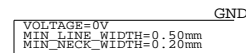
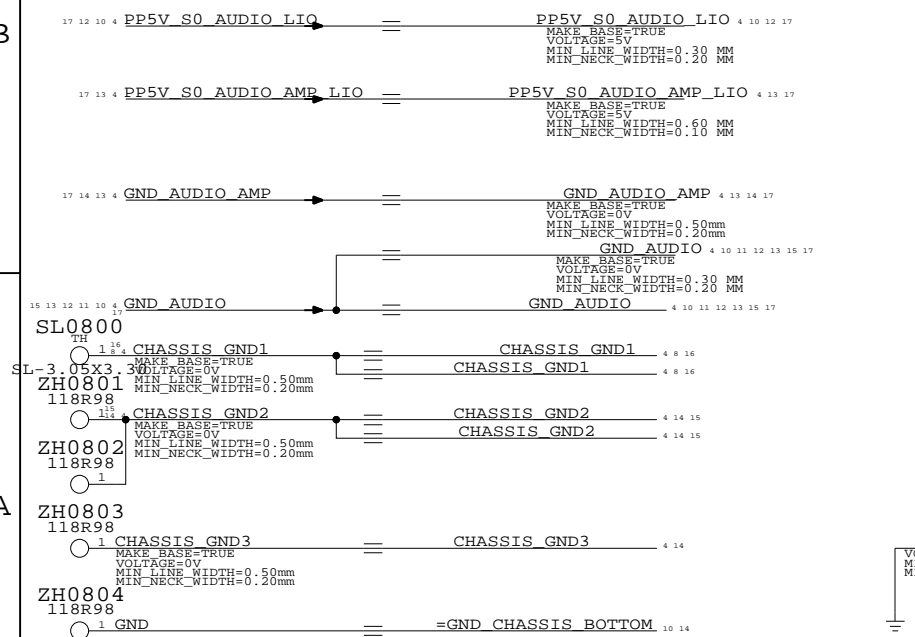
THE INFORMATION CONTAINED HEREIN IS THE PROPRIETARY PROPERTY OF APPLE COMPUTER, INC. THE POSSESSOR AGREES TO THE FOLLOWING

I TO MAINTAIN THE DOCUMENT IN CONFIDENCE

II NOT TO REPRODUCE OR COPY IT

III NOT TO REVEAL OR PUBLISH IN WHOLE OR PART

AUDIO



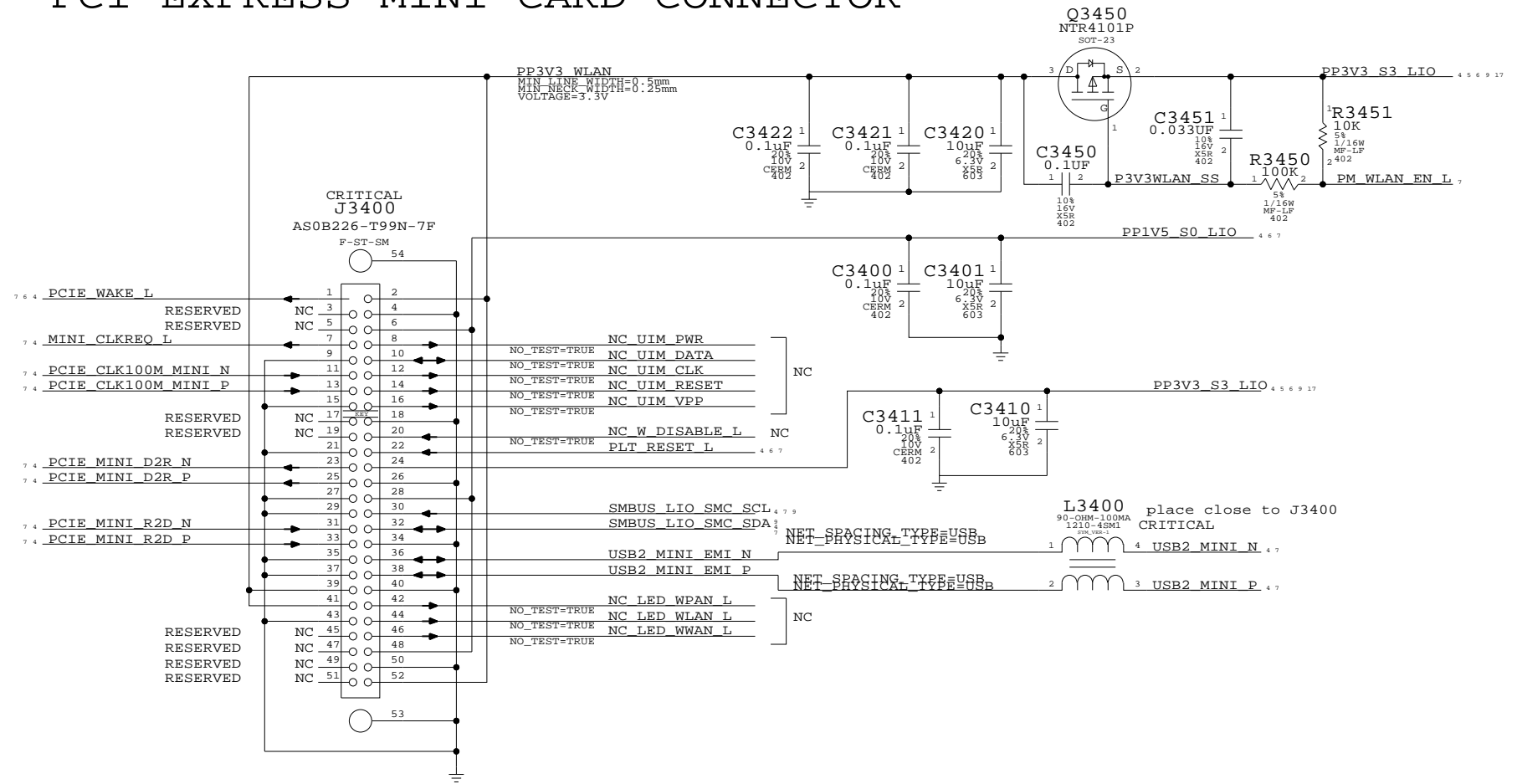
D
C
B
A

D
C
B
A

APPLE COMPUTER INC.

SIZE	D	DRAWING NUMBER	051-7268	REV.	A.0.0
SCALE	NONE	SHT	4	OF	24

PCI-EXPRESS MINI CARD CONNECTOR



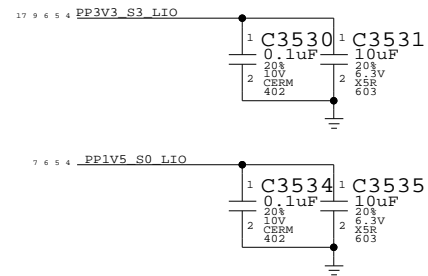
PCI-E MiniCard Connector
 SYNC_MASTER=M75_LIO SYNC_DATE=04/10/2007
 NOTICE OF PROPRIETARY PROPERTY
 THE INFORMATION CONTAINED HEREIN IS THE PROPRIETARY PROPERTY OF APPLE COMPUTER, INC. THE POSSESSOR AGREES TO THE FOLLOWING
 I TO MAINTAIN THE DOCUMENT IN CONFIDENCE
 II NOT TO REPRODUCE OR COPY IT
 III NOT TO REVEAL OR PUBLISH IN WHOLE OR PART

APPLE COMPUTER INC.	SIZE	DRAWING NUMBER	REV.
	D	051-7268	A.0.0
SCALE	NONE	SHT	OF
		5	24

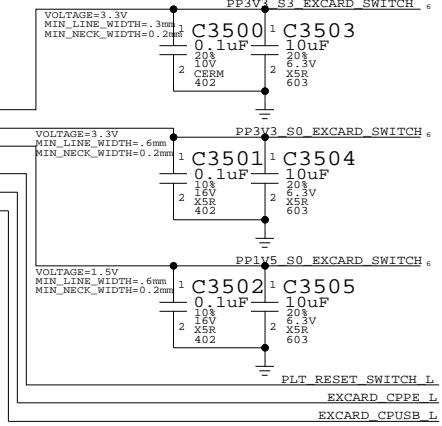
EXPRESSCARD/34 TOP MOUNT CONNECTOR

CARD CAGE CONNECTOR
CRITICAL
J3500
237-5300703903-2
P-PT-SM

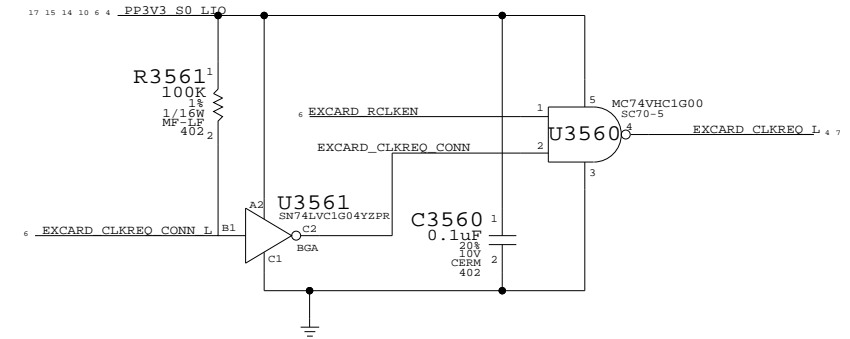
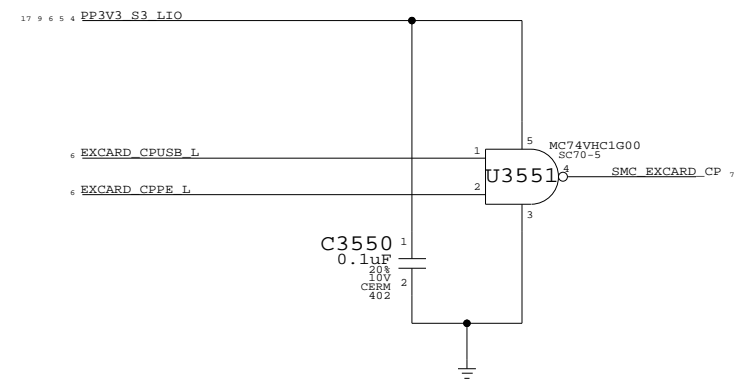
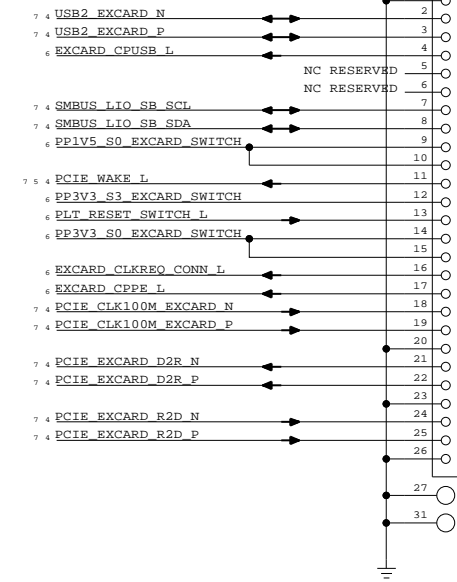
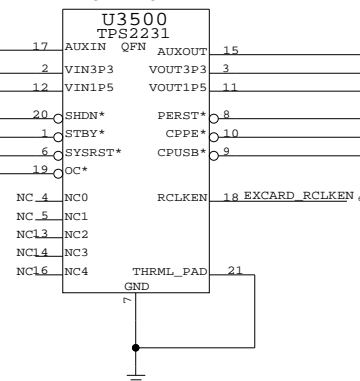
INPUT DECOUPLING



OUTPUT DECOUPLING



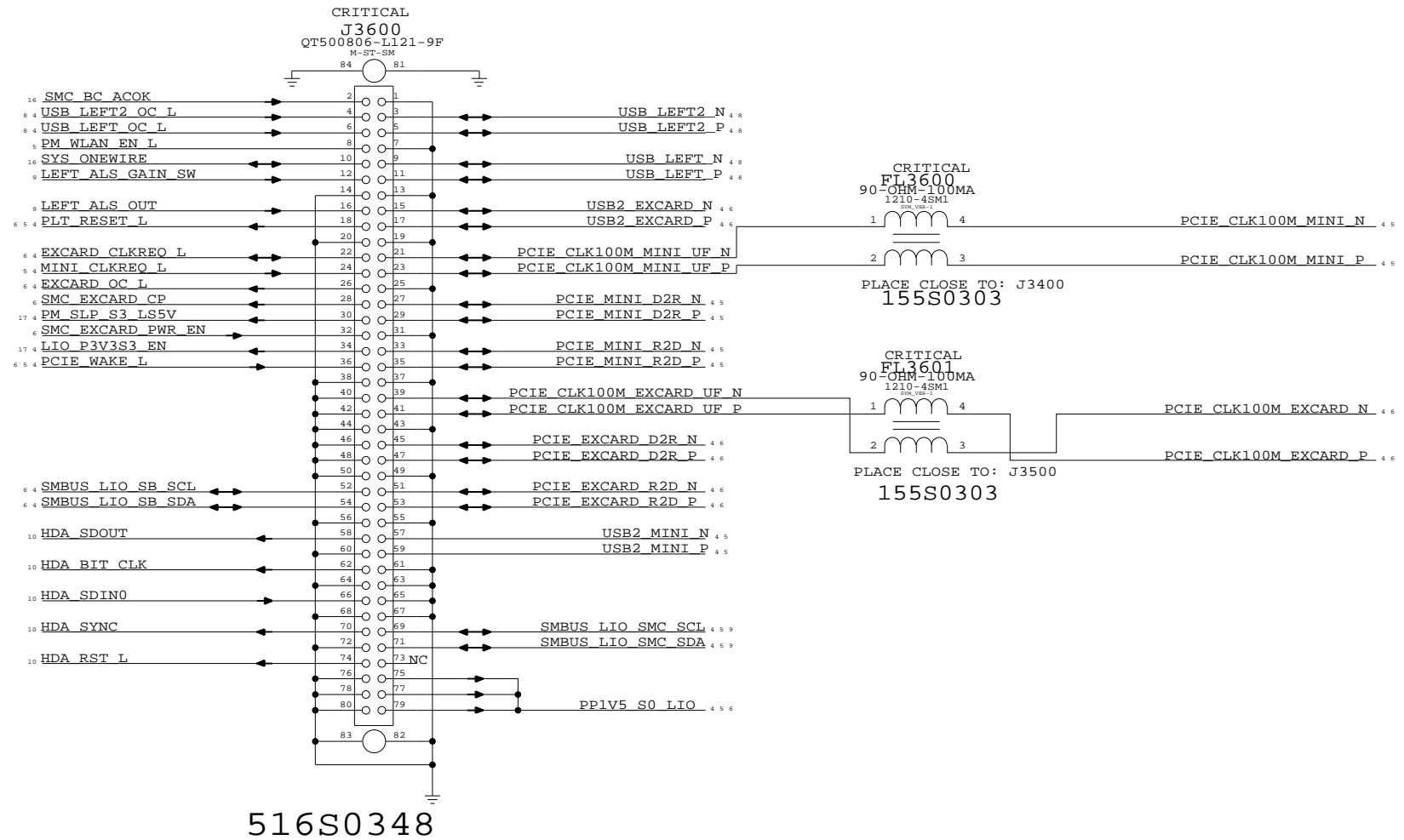
CRITICAL



ExpressCard Connector
SYNC_MASTER=M75_LIO SYNC_DATE=04/10/2007
NOTICE OF PROPRIETARY PROPERTY
THE INFORMATION CONTAINED HEREIN IS THE PROPRIETARY PROPERTY OF APPLE COMPUTER, INC. THE POSSESSOR AGREES TO THE FOLLOWING
I TO MAINTAIN THE DOCUMENT IN CONFIDENCE
II NOT TO REPRODUCE OR COPY IT
III NOT TO REVEAL OR PUBLISH IN WHOLE OR PART

APPLE COMPUTER INC.	SIZE	DRAWING NUMBER	REV.
	D	051-7268	A.0.0
SCALE	NONE	SHT	6 OF 24

Left I/O Board Connector



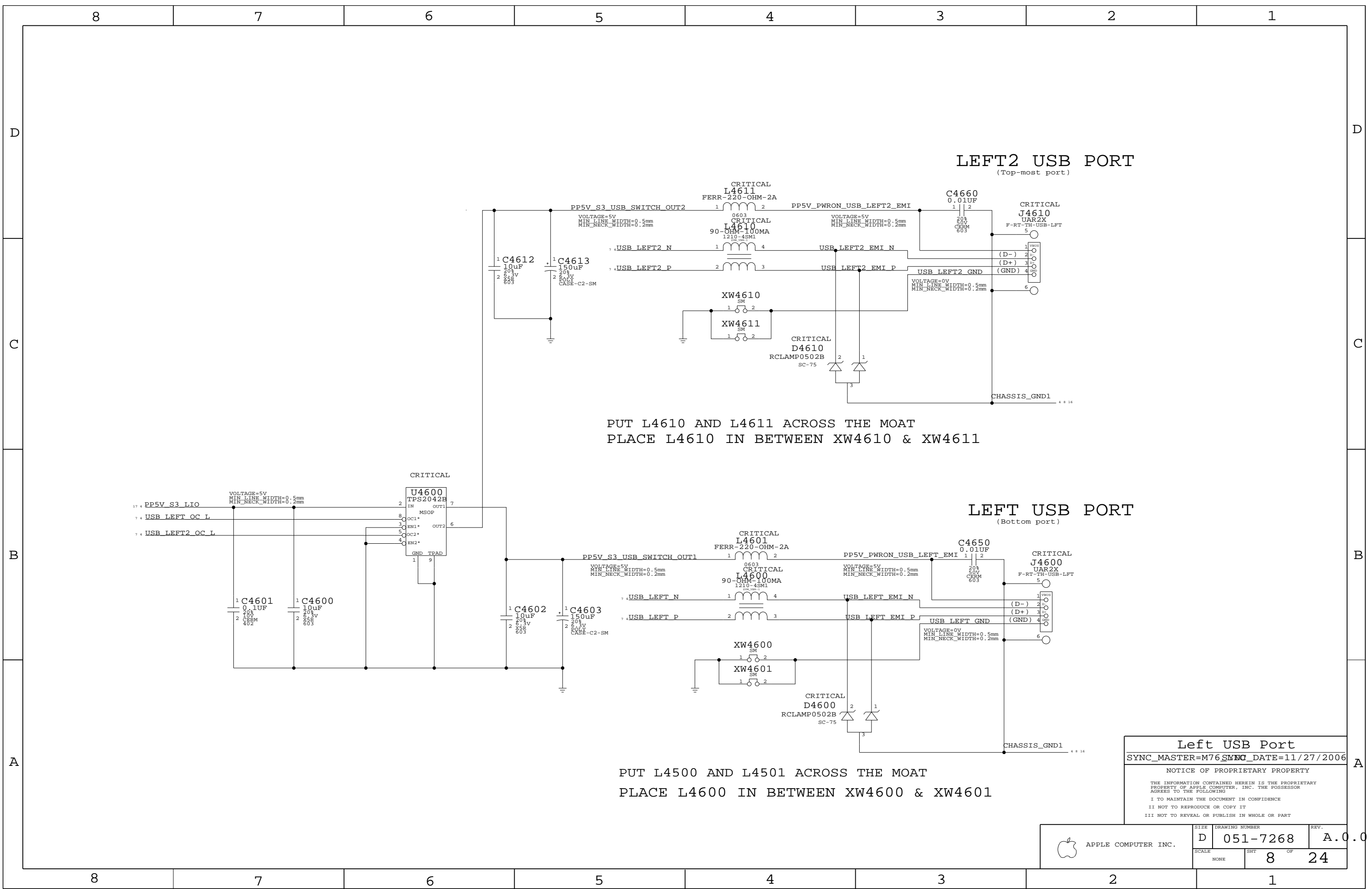
MLB I/O Board Connector

SYNC_MASTER=M76_LIO SYNC_DATE=11/27/2006

NOTICE OF PROPRIETARY PROPERTY

THE INFORMATION CONTAINED HEREIN IS THE PROPRIETARY PROPERTY OF APPLE COMPUTER, INC. THE POSSESSOR AGREES TO THE FOLLOWING
I TO MAINTAIN THE DOCUMENT IN CONFIDENCE
II NOT TO REPRODUCE OR COPY IT
III NOT TO REVEAL OR PUBLISH IN WHOLE OR PART

APPLE COMPUTER INC.	SIZE	DRAWING NUMBER	REV.
	D	051-7268	A.0.0
SCALE	SHT 7 OF 24		
NONE			



LEFT2 USB PORT
(Top-most port)

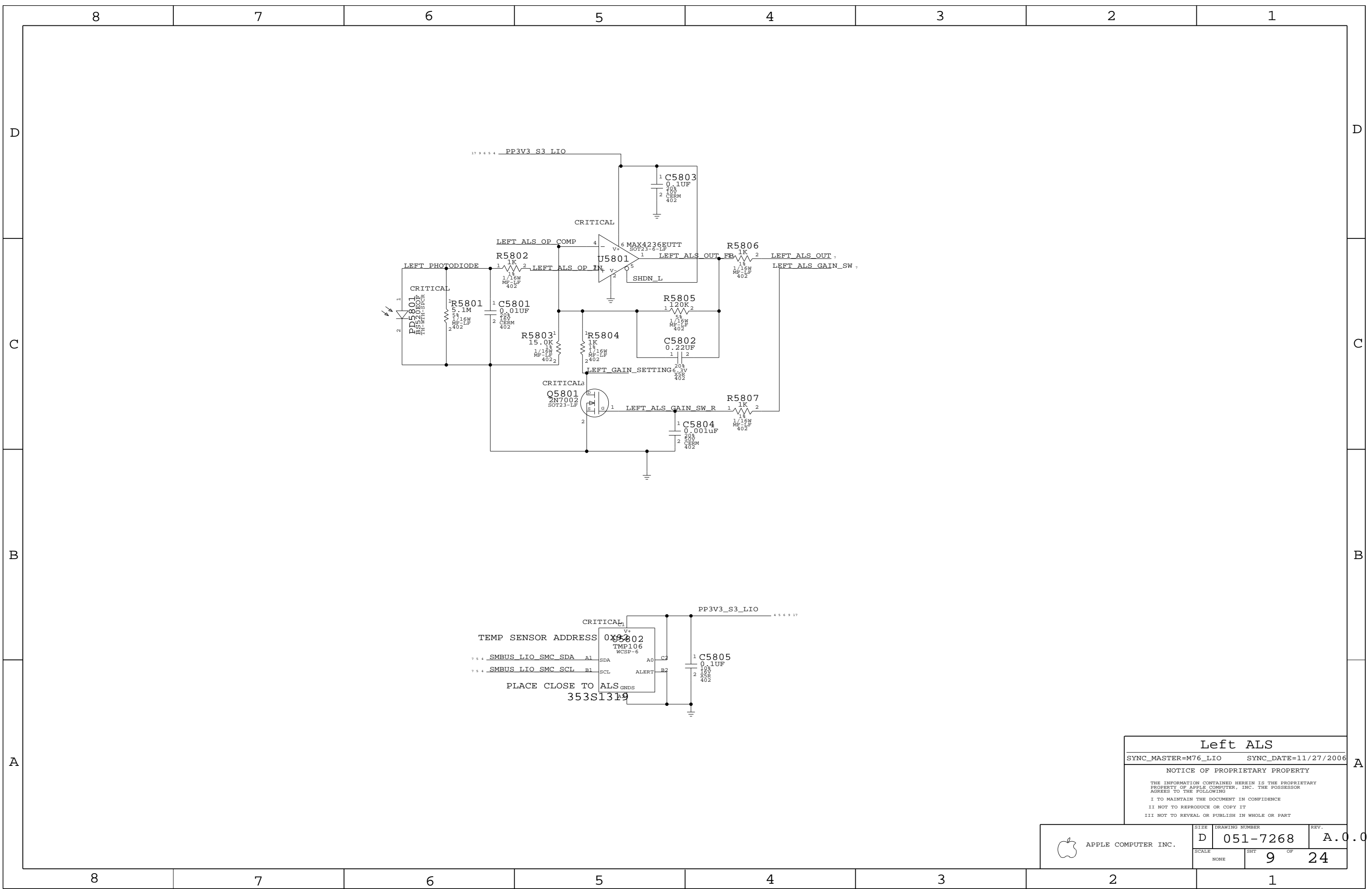
PUT L4610 AND L4611 ACROSS THE MOAT
PLACE L4610 IN BETWEEN XW4610 & XW4611

LEFT USB PORT
(Bottom port)

PUT L4600 AND L4601 ACROSS THE MOAT
PLACE L4600 IN BETWEEN XW4600 & XW4601

Left USB Port
 SYNC_MASTER=M76 SMC_DATE=11/27/2006
 NOTICE OF PROPRIETARY PROPERTY
 THE INFORMATION CONTAINED HEREIN IS THE PROPRIETARY PROPERTY OF APPLE COMPUTER, INC. THE POSSESSOR AGREES TO THE FOLLOWING
 I TO MAINTAIN THE DOCUMENT IN CONFIDENCE
 II NOT TO REPRODUCE OR COPY IT
 III NOT TO REVEAL OR PUBLISH IN WHOLE OR PART

APPLE COMPUTER INC.	SIZE	DRAWING NUMBER	REV.
	D	051-7268	A.0.0
SCALE	NONE	SHT	8 OF 24



Left ALS

SYNC_MASTER=M76_LIO SYNC_DATE=11/27/2006

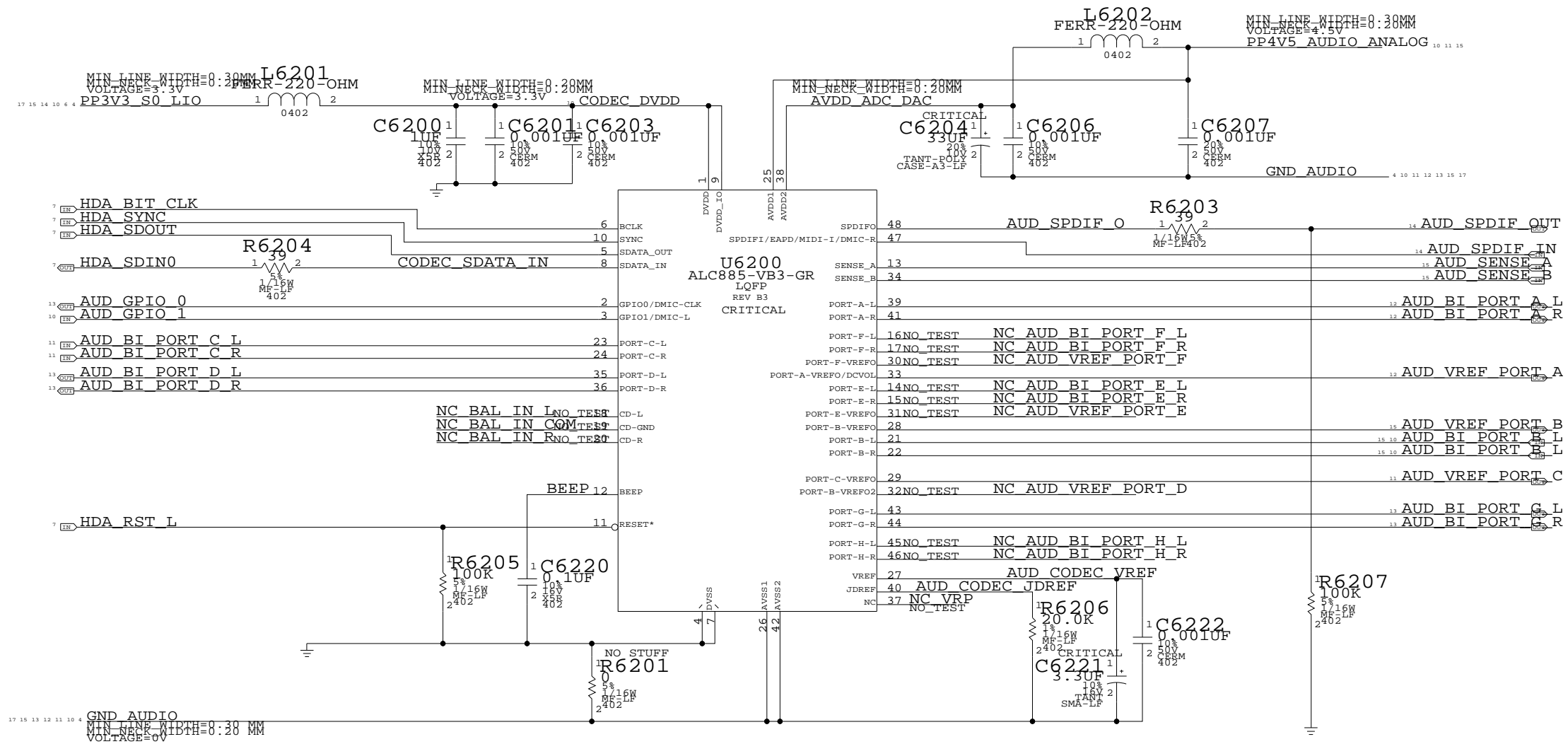
NOTICE OF PROPRIETARY PROPERTY

THE INFORMATION CONTAINED HEREIN IS THE PROPRIETARY PROPERTY OF APPLE COMPUTER, INC. THE POSSESSOR AGREES TO THE FOLLOWING

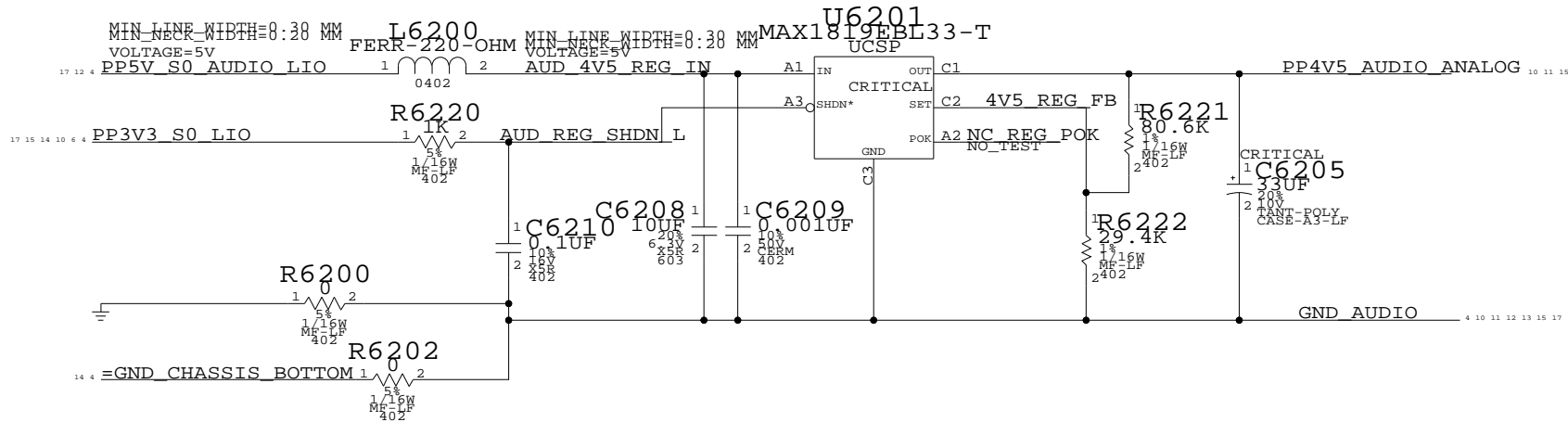
I TO MAINTAIN THE DOCUMENT IN CONFIDENCE
 II NOT TO REPRODUCE OR COPY IT
 III NOT TO REVEAL OR PUBLISH IN WHOLE OR PART

APPLE COMPUTER INC.	SIZE	DRAWING NUMBER	REV.
	D	051-7268	A.0.0
SCALE	SHT	OF	REV.
NONE	9	24	

AUDIO CODEC
APPLE P/N 353S1527



AUDIO 4.5V REGULATOR
APPLE P/N 353S1455



AUDIO:CODEC

SYNC_MASTER=SYNCAUDIO=05/04/2007

NOTICE OF PROPRIETARY PROPERTY

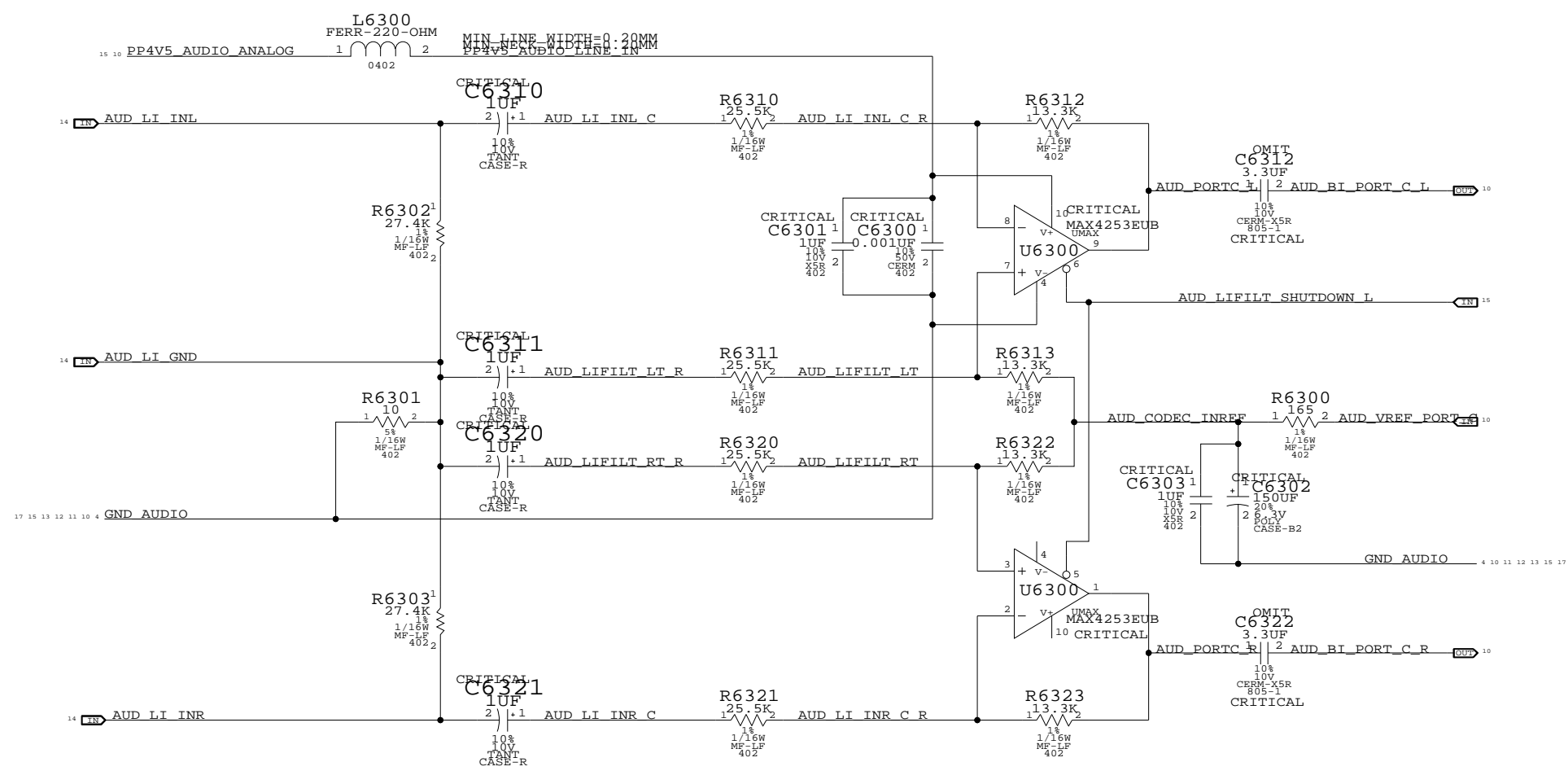
THE INFORMATION CONTAINED HEREIN IS THE PROPRIETARY PROPERTY OF APPLE COMPUTER, INC. THE POSSESSOR AGREES TO THE FOLLOWING

- I TO MAINTAIN THE DOCUMENT IN CONFIDENCE
- II NOT TO REPRODUCE OR COPY IT
- III NOT TO REVEAL OR PUBLISH IN WHOLE OR PART

APPLE COMPUTER INC.	SIZE	DRAWING NUMBER	REV.
	D	051-7268	A.0.0
SCALE	SHT	OF	
NONE	10	24	

Pseudo-Diff Line-In Filter

GAIN = -5.4DB AV = 0.52
 FC = 6.24 HZ



PART#	QTY	DESCRIPTION	REFERENCE DESIGNATOR(S)	CRITICAL	BOM OPTION
138S0620	1	3.3UF 10V 805 X5R CAP	C6312	CRITICAL	?
138S0620	1	3.3UF 10V 805 X5R CAP	C6322	CRITICAL	?

AUDIO: LINE IN
 SYNC_MASTER=M76_AUDIO SYNC_DATE=05/04/2007

NOTICE OF PROPRIETARY PROPERTY

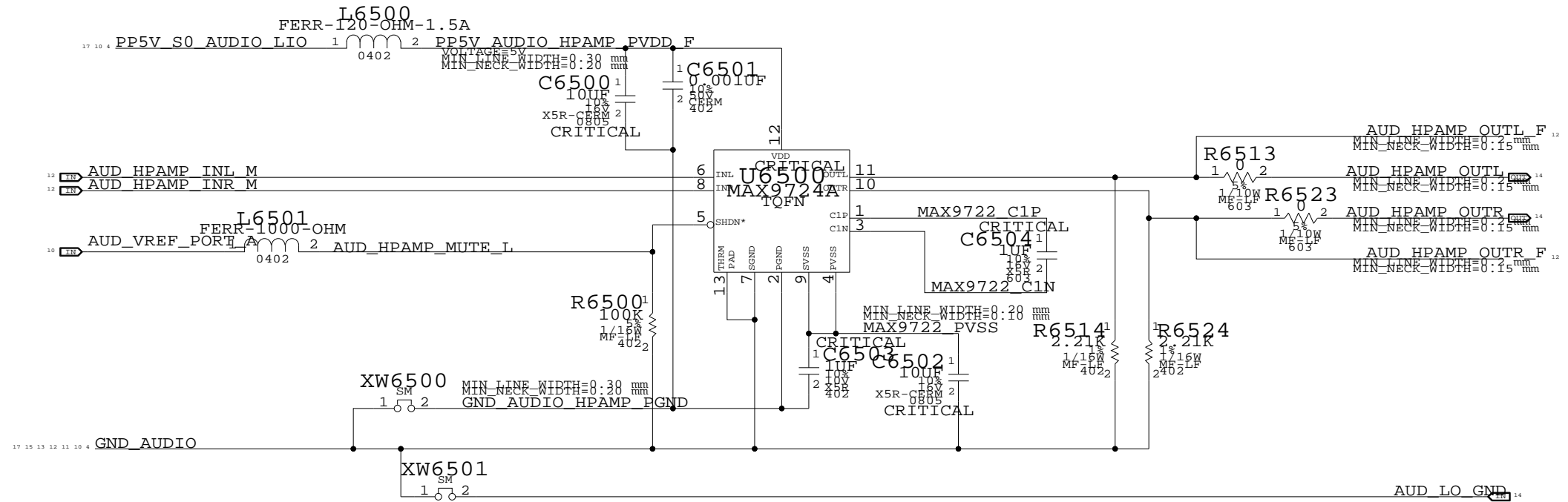
THE INFORMATION CONTAINED HEREIN IS THE PROPRIETARY PROPERTY OF APPLE COMPUTER, INC. THE POSSESSOR AGREES TO THE FOLLOWING

I TO MAINTAIN THE DOCUMENT IN CONFIDENCE
 II NOT TO REPRODUCE OR COPY IT
 III NOT TO REVEAL OR PUBLISH IN WHOLE OR PART

APPLE COMPUTER INC.	SIZE	DRAWING NUMBER	REV.
	NONE	11 OF 24	A.0.0

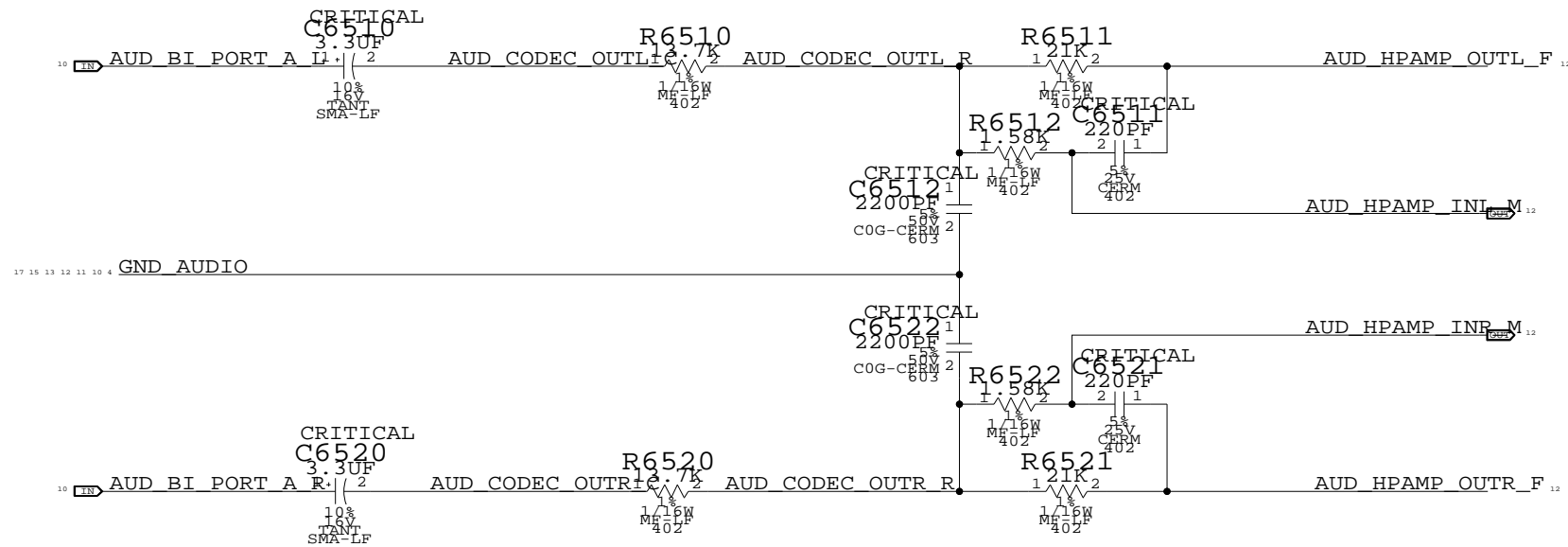
Headphone Amplifier (MAX9724A)

APN: 353S1637
VOLTAGE GAIN: 1.53



2nd Order DAC Filter

HP: 3.52 HZP: 39 KHZ



AUDIO: HEADPHONE AMP

SYNC_MASTER=MSM DATE=05/04/2007

NOTICE OF PROPRIETARY PROPERTY

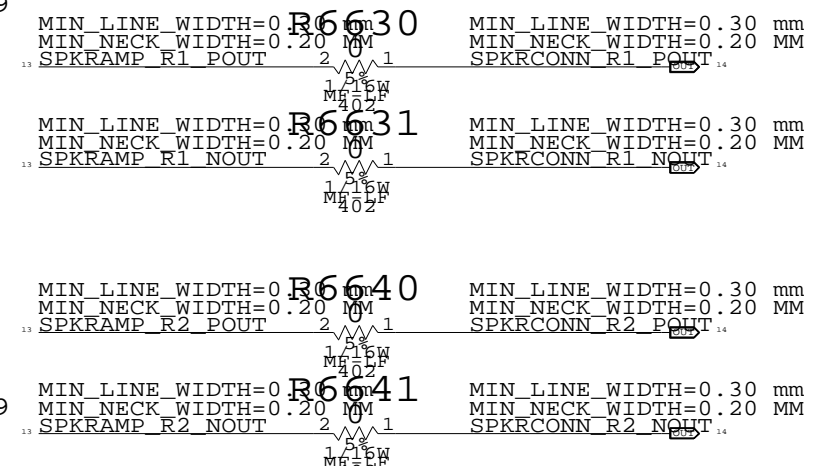
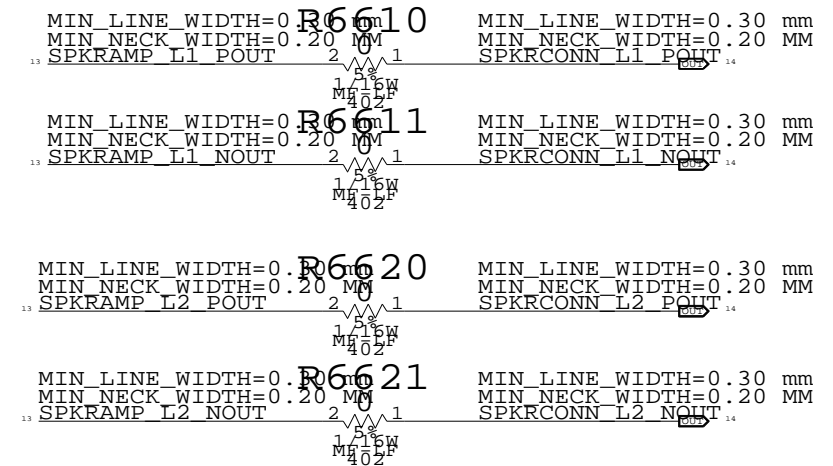
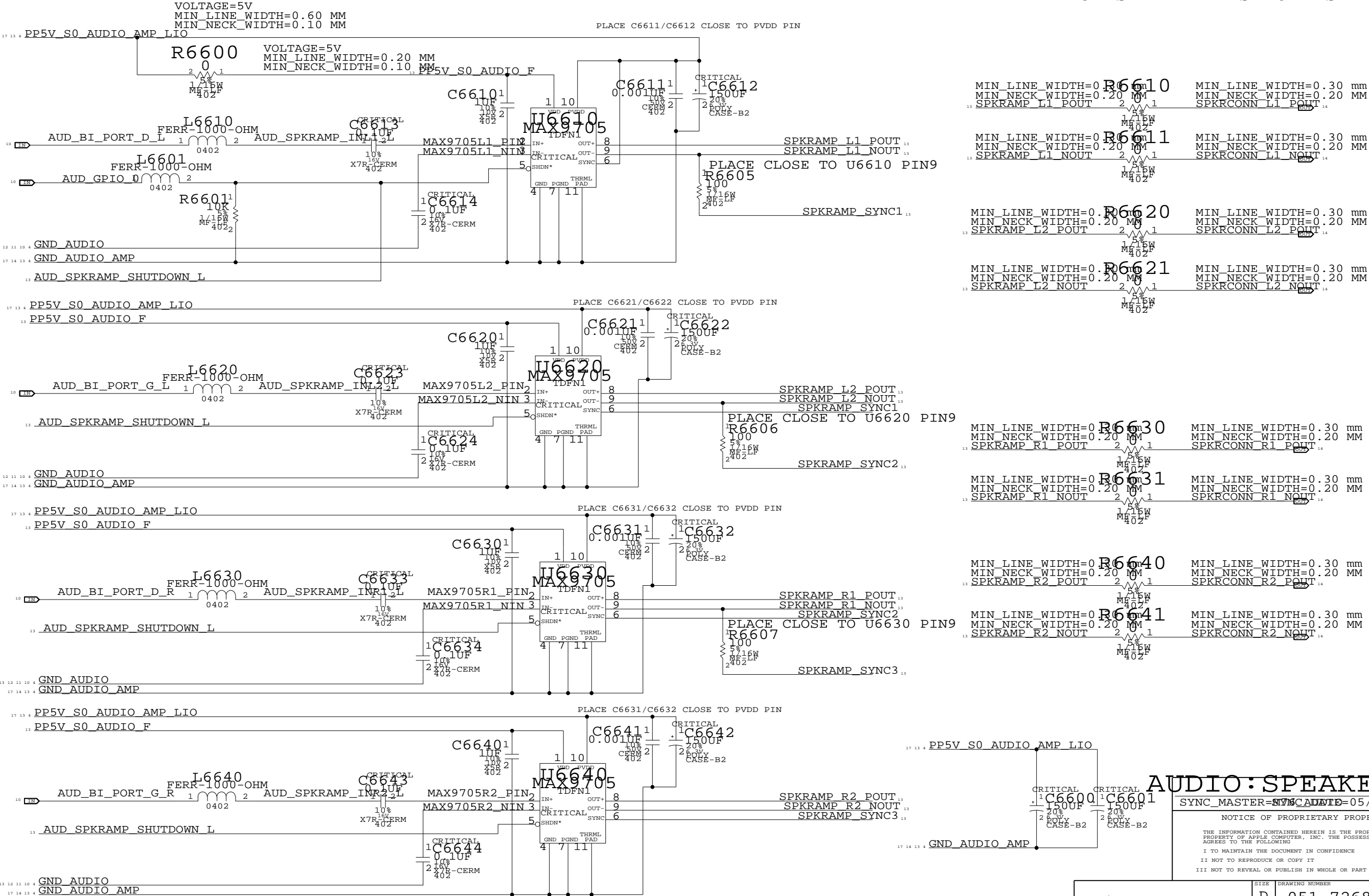
THE INFORMATION CONTAINED HEREIN IS THE PROPRIETARY PROPERTY OF APPLE COMPUTER, INC. THE POSSESSOR AGREES TO THE FOLLOWING

- I TO MAINTAIN THE DOCUMENT IN CONFIDENCE
- II NOT TO REPRODUCE OR COPY IT
- III NOT TO REVEAL OR PUBLISH IN WHOLE OR PART

APPLE COMPUTER INC.	SIZE	DRAWING NUMBER	REV.
	D	051-7268	A.0.0
SCALE	SHT	OF	
NONE	12	24	

2X MONO SPEAKER AMPLIFIERS (MAX9705) 12DB/9HZ < FC < 132HZ
 APN: 353S1595 TURN ON TIME: 30MS, TURN ON DELAY: 60MS

FANCY SPEAKER TESTPOINTS



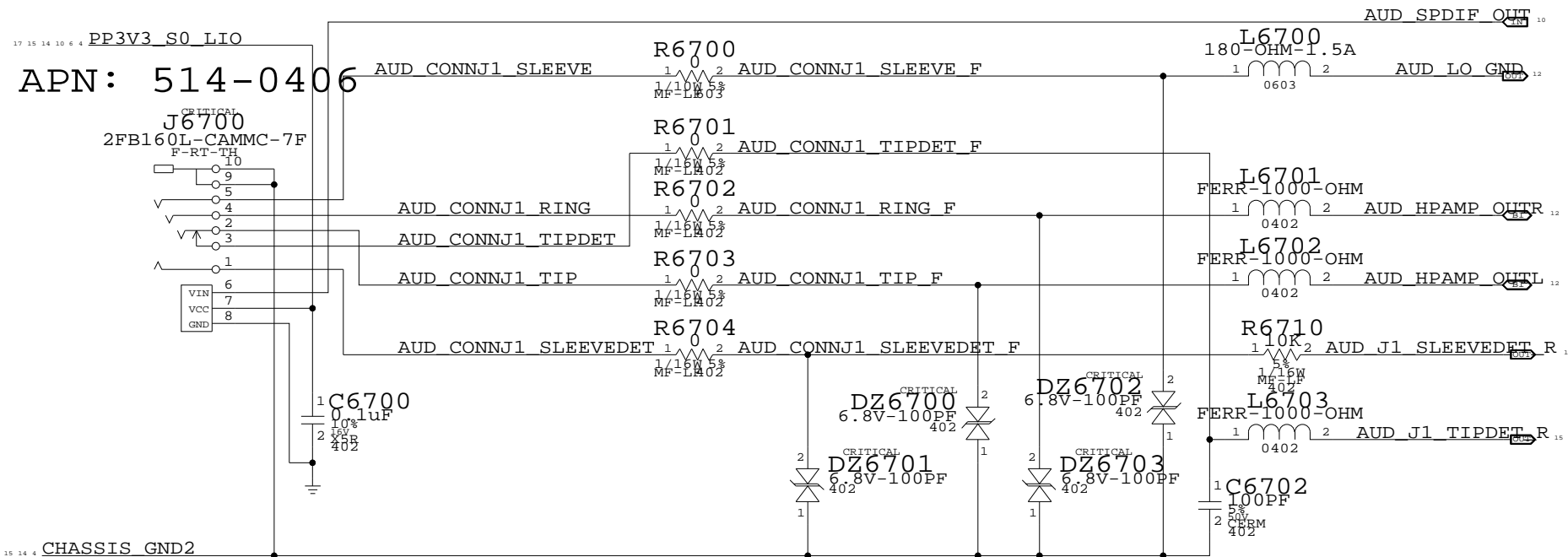
AUDIO: SPEAKER AMP

SYNC_MASTER=SYNCAUDIO=05/04/2007

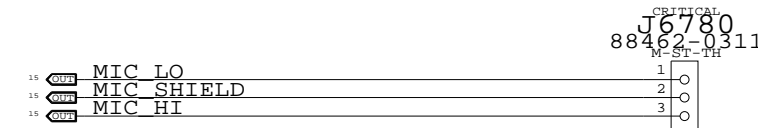
NOTICE OF PROPRIETARY PROPERTY
 THE INFORMATION CONTAINED HEREIN IS THE PROPRIETARY PROPERTY OF APPLE COMPUTER, INC. THE POSSESSOR AGREES TO THE FOLLOWING
 I TO MAINTAIN THE DOCUMENT IN CONFIDENCE
 II NOT TO REPRODUCE OR COPY IT
 III NOT TO REVEAL OR PUBLISH IN WHOLE OR PART

APPLE COMPUTER INC.	SIZE	DRAWING NUMBER	REV.
	NONE	051-7268	A.0.0
		SHT	OF
		13	24

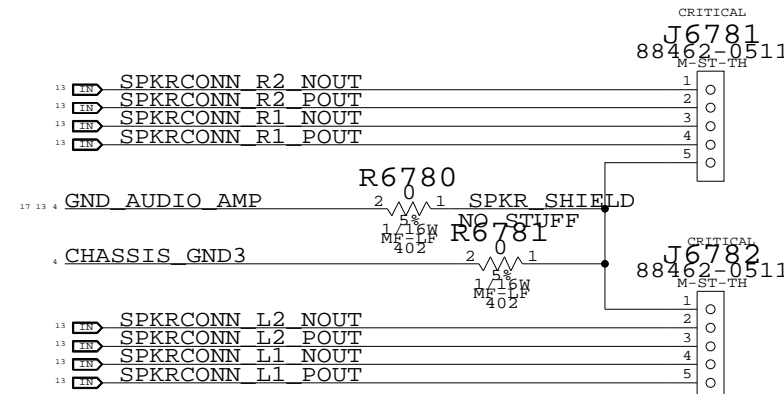
AUDIO JACK 1 LO/HP CONNECTOR, SPDIF TX



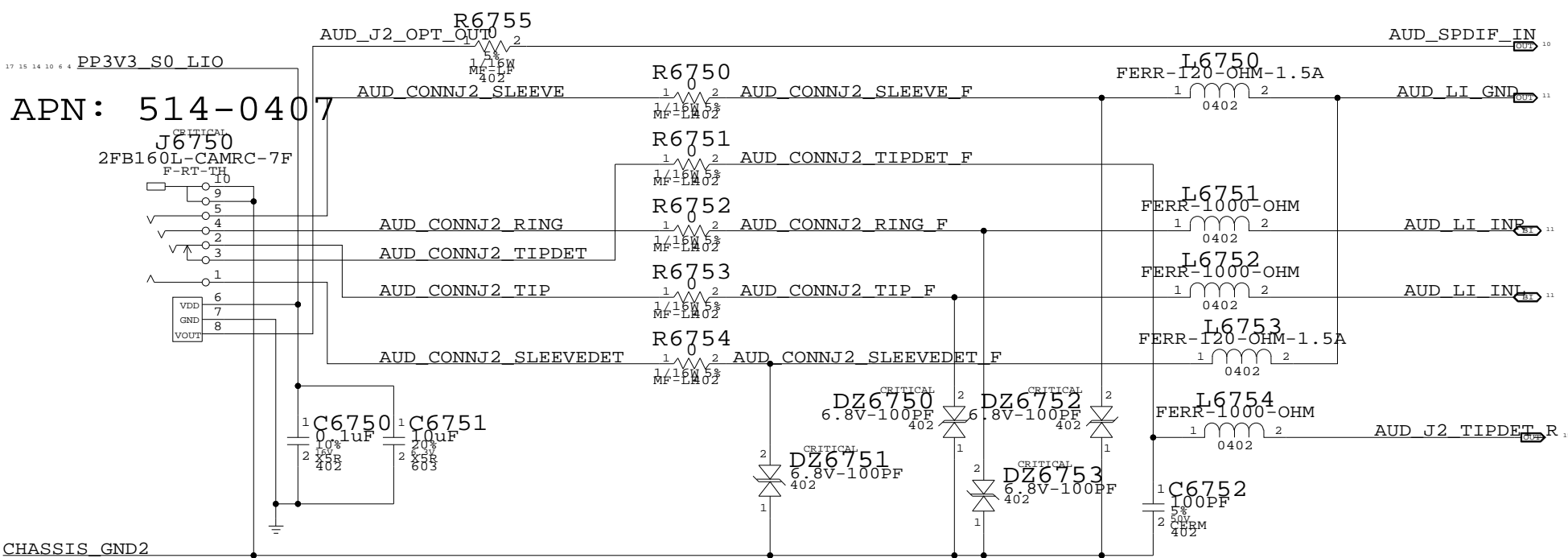
MIC CONNECTOR APN: 518-0230



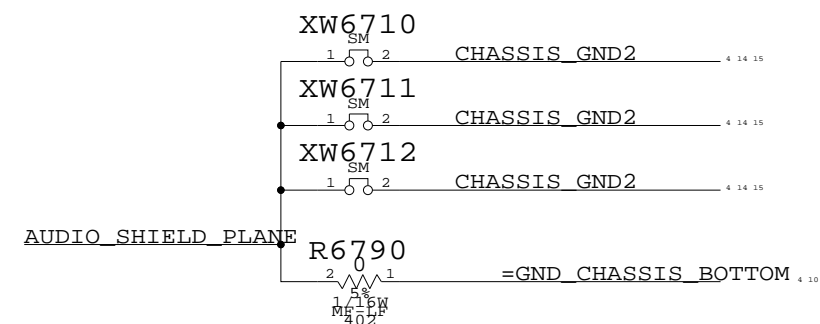
SPEAKER CONNECTORS APN: 518-0229



AUDIO JACK 2 LINE IN CONNECTOR, SPDIF RX



AUDIO SHIELD (FILLED SHAPE)



AUDIO: JACKS
 SYNC_MASTER=M76_AUDIO SYNC_DATE=05/04/2007
 NOTICE OF PROPRIETARY PROPERTY
 THE INFORMATION CONTAINED HEREIN IS THE PROPRIETARY PROPERTY OF APPLE COMPUTER, INC. THE POSSESSOR AGREES TO THE FOLLOWING
 I TO MAINTAIN THE DOCUMENT IN CONFIDENCE
 II NOT TO REPRODUCE OR COPY IT
 III NOT TO REVEAL OR PUBLISH IN WHOLE OR PART

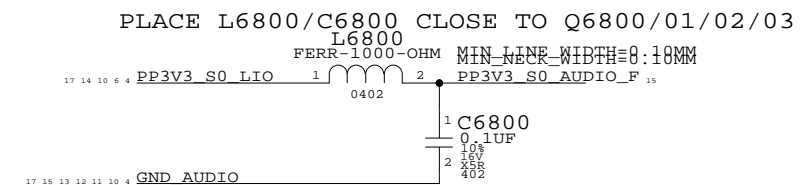
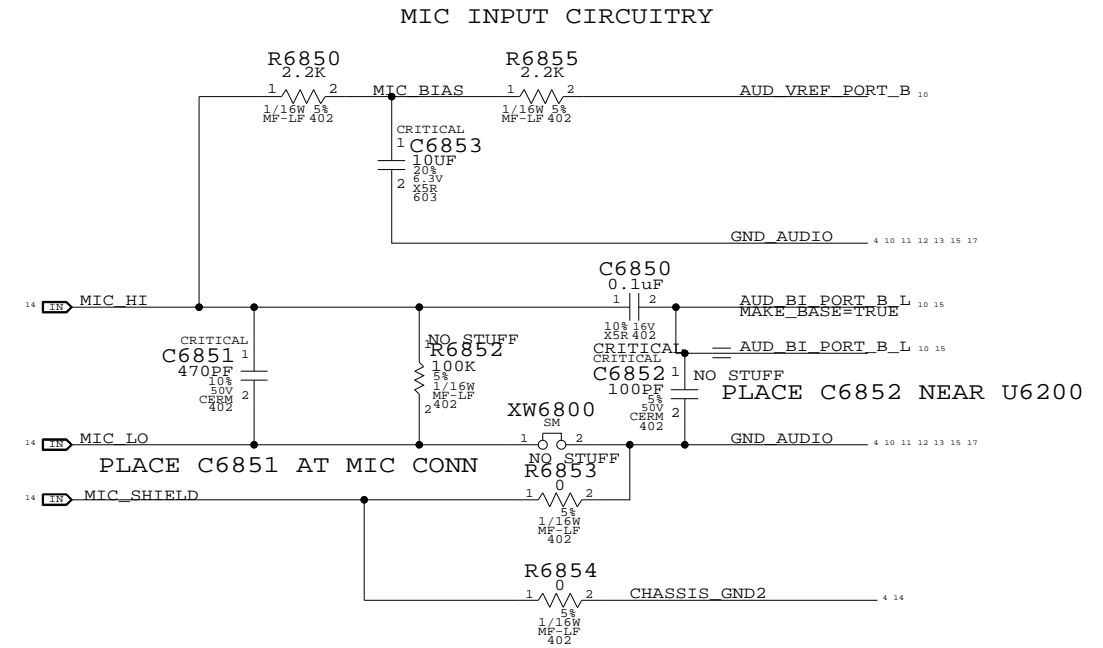
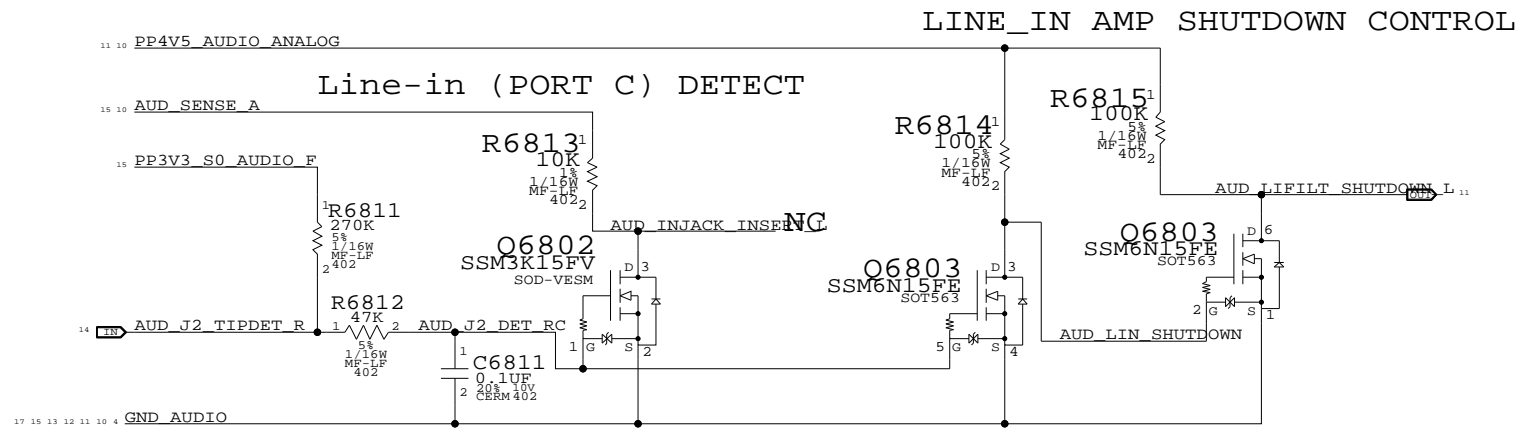
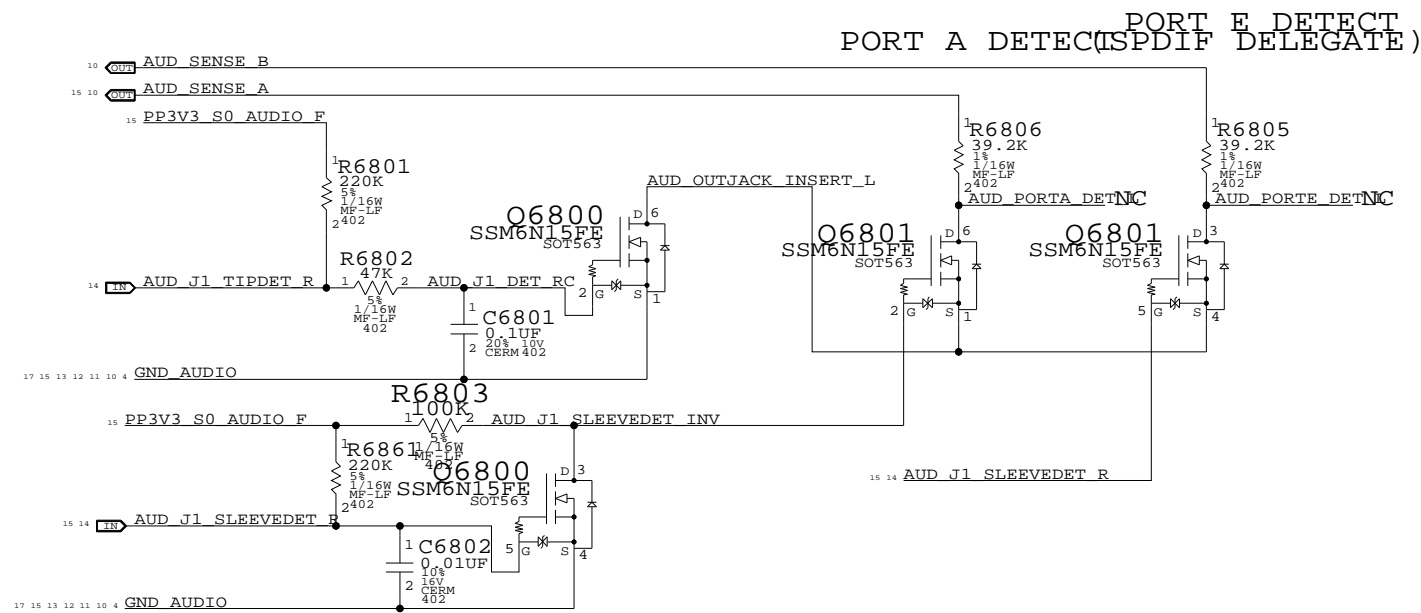
APPLE COMPUTER INC.	SIZE	DRAWING NUMBER	REV.
	D	051-7268	A.0.0
SCALE	NONE	SHT	14 OF 24

CODEC OUTPUT SIGNAL PATHS

FUNCTION	VOLUME	CONVERTER	PIN	COMPLEX	MUTE CONTROL	DET ASSIGNMENT
HP/LINE OUT	0X0F (15)	0X05 (05)	0X15 (21,A)		VREF A (21)	0X15 (21,A)
SPEAKER 1	0X26 (38)	0X25 (37)	0X14 (20,D)		GPIO 0	N/A
SPEAKER 2	0X04 (14)	0X04 (04)	0X16 (22,G)		GPIO 0	N/A
SPDIF OUT	N/A	0X06 (06)	0X1E (30,SPDIF)		N/A	0X1B (27,E)

CODEC INPUT SIGNAL PATHS

FUNCTION	MIXER	CONVERTER	PIN	COMPLEX	VREF	DET ASSIGNMENT
LINE IN	0X23 (35)	0X08 (08)	0X1A (26,C)		N/A	0X1A (26,C)
MIC IN	0X24 (36)	0X07 (07)	0X18 (24,B)		VREF B (24,80N/A)	N/A
SPDIF IN	N/A	0X0A (10)	0X1F (31,SPDIF)		N/A	N/A



AUDIO: JACK TRANSLATORS

SYNC_MASTER=M76_AUDIO SYNC_DATE=05/04/2007

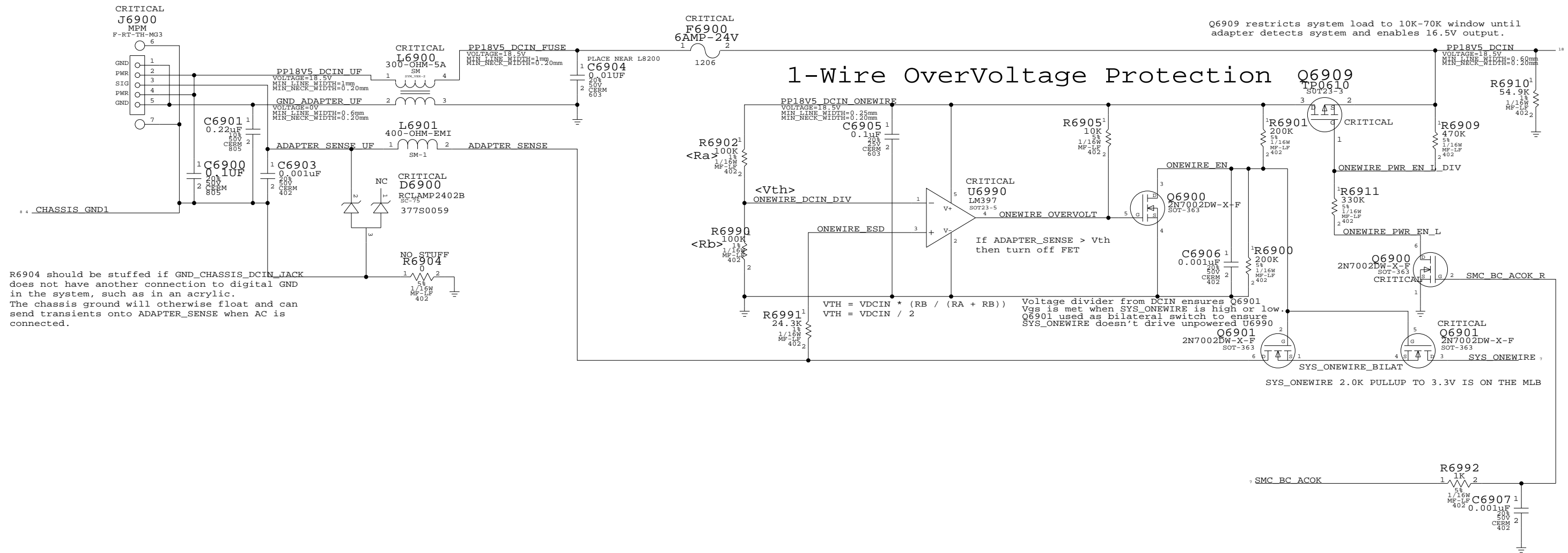
NOTICE OF PROPRIETARY PROPERTY

THE INFORMATION CONTAINED HEREIN IS THE PROPRIETARY PROPERTY OF APPLE COMPUTER, INC. THE POSSESSOR AGREES TO THE FOLLOWING
 I TO MAINTAIN THE DOCUMENT IN CONFIDENCE
 II NOT TO REPRODUCE OR COPY IT
 III NOT TO REVEAL OR PUBLISH IN WHOLE OR PART

APPLE COMPUTER INC.	SIZE	DRAWING NUMBER	REV.
	D	051-7268	A.0.0
SCALE	NONE	SHT	15 OF 24

DC Power Jack

1-Wire OverVoltage Protection



R6904 should be stuffed if GND_CHASSIS_DCIN JACK does not have another connection to digital GND in the system, such as in an acrylic. The chassis ground will otherwise float and can send transients onto ADAPTER_SENSE when AC is connected.

VTH = VDCIN * (RB / (RA + RB))
 VTH = VDCIN / 2
 Voltage divider from DCIN ensures Q6901 Vgs is met when SYS_ONEWIRE is high or low. Q6901 used as bilateral switch to ensure SYS_ONEWIRE doesn't drive unpowered U6990

SMC BC ACOK R
 SYS_ONEWIRE 2.0K PULLUP TO 3.3V IS ON THE MLB

DC-In & Battery Connectors

SYNC_MASTER=M76_LIO SYNC_DATE=11/27/2006

NOTICE OF PROPRIETARY PROPERTY
 THE INFORMATION CONTAINED HEREIN IS THE PROPRIETARY PROPERTY OF APPLE COMPUTER, INC. THE POSSESSOR AGREES TO THE FOLLOWING
 I TO MAINTAIN THE DOCUMENT IN CONFIDENCE
 II NOT TO REPRODUCE OR COPY IT
 III NOT TO REVEAL OR PUBLISH IN WHOLE OR PART

APPLE COMPUTER INC.	SIZE	DRAWING NUMBER	REV.
	D	051-7268	A.0.0
SCALE	SHT	OF	
NONE	16	24	

5V/3.3V POWER SUPPLY

18 4 PPBUS_G3H_DCIN_CONN

7 4 LIO_P3V3S3_EN

17 P5VS3_VREF

NC NC_LIO_P3V3S3_PGOOD

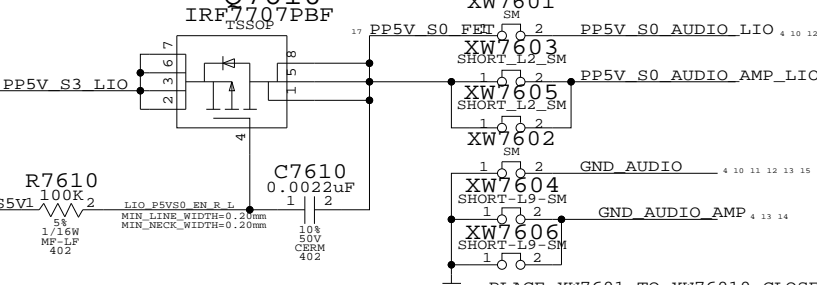
NC NC_LIO_P5VS3_PGOOD

XW7607
SHORT_L2_SM
XW7608
SHORT_L2_SM
XW7609
SHORT_L2_SM
XW7610
SHORT_L2_SM

VOLTAGE=5V
MIN_LINE_WIDTH=0.5MM
MIN_NECK_WIDTH=0.2MM

5V S0 FET

IRF7707PBF



C7620
10UF
10V
XSR
603

R7620
1/16W
MF-LF
402

P5VS3_V5FILT
MIN_LINE_WIDTH=0.5mm
MIN_NECK_WIDTH=0.20mm

P5VS3_VREG5
MIN_LINE_WIDTH=0.5mm
MIN_NECK_WIDTH=0.20mm

P5VS3_VREF
MIN_LINE_WIDTH=0.5mm
MIN_NECK_WIDTH=0.20mm

P5VS3_VREG3
MIN_LINE_WIDTH=0.5mm
MIN_NECK_WIDTH=0.20mm

P5VS3_V5FILT
MIN_LINE_WIDTH=0.5mm
MIN_NECK_WIDTH=0.20mm

P5VS3_V5FILT
MIN_LINE_WIDTH=0.5mm
MIN_NECK_WIDTH=0.20mm

P5VS3_V5FILT
MIN_LINE_WIDTH=0.5mm
MIN_NECK_WIDTH=0.20mm

P5VS3_V5FILT
MIN_LINE_WIDTH=0.5mm
MIN_NECK_WIDTH=0.20mm

P5VS3_V5FILT
MIN_LINE_WIDTH=0.5mm
MIN_NECK_WIDTH=0.20mm

P5VS3_V5FILT
MIN_LINE_WIDTH=0.5mm
MIN_NECK_WIDTH=0.20mm

P5VS3_V5FILT
MIN_LINE_WIDTH=0.5mm
MIN_NECK_WIDTH=0.20mm

P5VS3_V5FILT
MIN_LINE_WIDTH=0.5mm
MIN_NECK_WIDTH=0.20mm

P5VS3_V5FILT
MIN_LINE_WIDTH=0.5mm
MIN_NECK_WIDTH=0.20mm

P5VS3_V5FILT
MIN_LINE_WIDTH=0.5mm
MIN_NECK_WIDTH=0.20mm

P5VS3_V5FILT
MIN_LINE_WIDTH=0.5mm
MIN_NECK_WIDTH=0.20mm

P5VS3_V5FILT
MIN_LINE_WIDTH=0.5mm
MIN_NECK_WIDTH=0.20mm

P5VS3_V5FILT
MIN_LINE_WIDTH=0.5mm
MIN_NECK_WIDTH=0.20mm

P5VS3_V5FILT
MIN_LINE_WIDTH=0.5mm
MIN_NECK_WIDTH=0.20mm

P5VS3_V5FILT
MIN_LINE_WIDTH=0.5mm
MIN_NECK_WIDTH=0.20mm

P5VS3_V5FILT
MIN_LINE_WIDTH=0.5mm
MIN_NECK_WIDTH=0.20mm

P5VS3_V5FILT
MIN_LINE_WIDTH=0.5mm
MIN_NECK_WIDTH=0.20mm

P5VS3_V5FILT
MIN_LINE_WIDTH=0.5mm
MIN_NECK_WIDTH=0.20mm

P5VS3_V5FILT
MIN_LINE_WIDTH=0.5mm
MIN_NECK_WIDTH=0.20mm

P5VS3_V5FILT
MIN_LINE_WIDTH=0.5mm
MIN_NECK_WIDTH=0.20mm

P5VS3_V5FILT
MIN_LINE_WIDTH=0.5mm
MIN_NECK_WIDTH=0.20mm

P5VS3_V5FILT
MIN_LINE_WIDTH=0.5mm
MIN_NECK_WIDTH=0.20mm

P5VS3_V5FILT
MIN_LINE_WIDTH=0.5mm
MIN_NECK_WIDTH=0.20mm

P5VS3_V5FILT
MIN_LINE_WIDTH=0.5mm
MIN_NECK_WIDTH=0.20mm

P5VS3_V5FILT
MIN_LINE_WIDTH=0.5mm
MIN_NECK_WIDTH=0.20mm

P5VS3_V5FILT
MIN_LINE_WIDTH=0.5mm
MIN_NECK_WIDTH=0.20mm

P5VS3_V5FILT
MIN_LINE_WIDTH=0.5mm
MIN_NECK_WIDTH=0.20mm

P5VS3_V5FILT
MIN_LINE_WIDTH=0.5mm
MIN_NECK_WIDTH=0.20mm

P5VS3_V5FILT
MIN_LINE_WIDTH=0.5mm
MIN_NECK_WIDTH=0.20mm

CRITICAL
C7625
22UF
25V
POLY
CASE-D2-LF

C7600
10UF
10V
XSR
603

CRITICAL
Q7600
FDM6296
MICROFET3X3

C7603
0.1UF
20V
XSR
402

CRITICAL
L7600
4.7UH
IHLF

5.5A MAX, LIMITED BY L7600

PP5V_S3_LIO 4 6 17

CRITICAL
Q7601
FDM6296
MICROFET3X3

C7601
10UF
10V
XSR
805-2

C7602
150UF
20V
POLY
CASE-C2-SM

CRITICAL
Q7650
FDM6296
MICROFET3X3

C7650
10UF
10V
XSR
603

CRITICAL
Q7651
FDM6296
MICROFET3X3

5.5A MAX, LIMITED BY L7650

PP3V3_S3_LIO 4 6 10 14 17

CRITICAL
Q7651
FDM6296
MICROFET3X3

C7651
10UF
10V
XSR
603

C7652
150UF
20V
POLY
CASE-C2-SM

XW7600
SM
1 0 2

GND_5V3_3V3_SGND

GND_5V3_3V3_SGND

GND_5V3_3V3_SGND

GND_5V3_3V3_SGND

GND_5V3_3V3_SGND

GND_5V3_3V3_SGND

GND_5V3_3V3_SGND

GND_5V3_3V3_SGND

GND_5V3_3V3_SGND

GND_5V3_3V3_SGND

GND_5V3_3V3_SGND

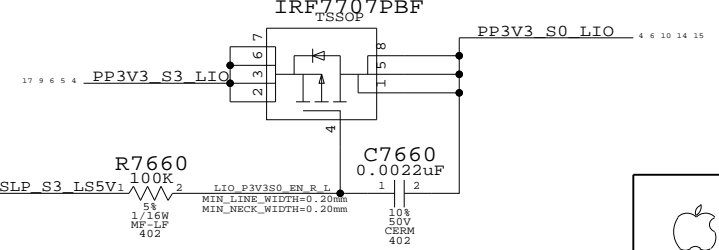
GND_5V3_3V3_SGND

GND_5V3_3V3_SGND

GND_5V3_3V3_SGND

3.3V S0 FET

IRF7707PBF



R7660
100K
5%
1/16W
MF-LF
402

C7660
0.0022uF
10V
XSR
402

5V/3.3V SUPPLY

SYNC_MASTER=M57_LIO SYNC_DATE=11/30/2006

NOTICE OF PROPRIETARY PROPERTY

THE INFORMATION CONTAINED HEREIN IS THE PROPRIETARY PROPERTY OF APPLE COMPUTER, INC. THE POSSESSOR AGREES TO THE FOLLOWING
I TO MAINTAIN THE DOCUMENT IN CONFIDENCE
II NOT TO REPRODUCE OR COPY IT
III NOT TO REVEAL OR PUBLISH IN WHOLE OR PART

APPLE COMPUTER INC.	SIZE	DRAWING NUMBER	REV.
	D	051-7268	A.0.0
SCALE	SHT 17 OF 24		

8

7

6

5

4

3

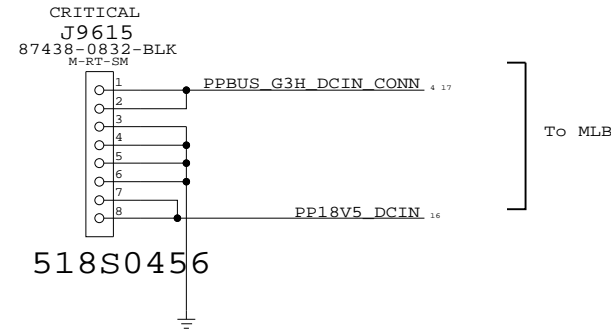
2

1

D

D

Left I/O Power Connector



C

C

B

B

A

A

LEFT I/O POWER CONNECTOR

SYNC_MASTER=M76_LIO SYNC_DATE=11/27/2006

NOTICE OF PROPRIETARY PROPERTY

THE INFORMATION CONTAINED HEREIN IS THE PROPRIETARY PROPERTY OF APPLE COMPUTER, INC. THE POSSESSOR AGREES TO THE FOLLOWING

I TO MAINTAIN THE DOCUMENT IN CONFIDENCE

II NOT TO REPRODUCE OR COPY IT

III NOT TO REVEAL OR PUBLISH IN WHOLE OR PART

APPLE COMPUTER INC.	SIZE	DRAWING NUMBER	REV.
	D	051-7268	A.0.0
SCALE	SHT		OF
NONE	18		24

8

7

6

5

4

3

2

1

	8	7	6	5	4	3	2	1																																																																																																																																																																																																																																																																																																																																																																																																																																																																																																																																																																																																
	<p>Title: Basenet Report Design: sync Date: Nov 17 19:00:01 2006</p> <p>Base nets and synonyms for sync_lib.SYNC(@sync_lib.sync(sch_1))</p> <table border="1"><thead><tr><th>Base Signal</th><th>Synonyms</th><th>Location((Zone) dir))</th></tr></thead><tbody><tr><td>=EXCARD_CLKREQ_L</td><td>=EXCARD_CLKREQ_L - @sync_lib.SYNC</td><td>4C5 7C6</td></tr><tr><td>EXCARD_CLKREQ_L</td><td>=EXCARD_CLKREQ_L - @sync_lib.SYNC</td><td>4C3 6B2</td></tr><tr><td>=EXCARD_OC_L</td><td>=EXCARD_OC_L - @sync_lib.SYNC</td><td>4C5 7C6</td></tr><tr><td>EXCARD_OC_L</td><td>=EXCARD_OC_L - @sync_lib.SYNC</td><td>4C4 6C7</td></tr><tr><td>=GND_AUDIO</td><td>=GND_AUDIO - @sync_lib.SYNC</td><td>4A8</td></tr><tr><td>GND_AUDIO</td><td>=GND_AUDIO_CODEC - @sync_lib.SYNC</td><td>4A7 11A6</td></tr><tr><td>GND_AUDIO</td><td>=GND_AUDIO - @sync_lib.SYNC</td><td>4A7</td></tr><tr><td>=GND_AUDIO_AMP</td><td>=GND_AUDIO_CODEC - @sync_lib.SYNC</td><td>4A7 11A6</td></tr><tr><td>GND_AUDIO_AMP</td><td>=GND_AUDIO_AMP - @sync_lib.SYNC</td><td>4B8 11A6</td></tr><tr><td>GND_AUDIO_AMP</td><td>=GND_AUDIO_AMP - @sync_lib.SYNC</td><td>4B7</td></tr><tr><td>=GND_CHASSIS_AUDIO_JACK</td><td>=GND_CHASSIS_AUDIO_JACK - @sync_lib.SYNC</td><td>4A7</td></tr><tr><td>ACK</td><td>=GND_CHASSIS_PCIE_EXCARD_LEFT - @sync_lib.SYNC</td><td>4A6 6B1 6D3</td></tr><tr><td>ACK</td><td>=GND_CHASSIS_PCIE_EXCARD_RIGHT - @sync_lib.SYNC</td><td>4A6 6B2</td></tr><tr><td>ACK</td><td>CHASSIS_GND2 - @sync_lib.SYNC</td><td>4A8</td></tr><tr><td>ACK</td><td>=GND_CHASSIS_PCIE_EXCARD_LEFT - @sync_lib.SYNC</td><td>4A6 6B1 6D3</td></tr><tr><td>ACK</td><td>=GND_CHASSIS_AUDIO_MIC - @sync_lib.SYNC</td><td>4A7</td></tr><tr><td>ACK</td><td>=GND_CHASSIS_AUDIO_SPKRCONN - @sync_lib.SYNC</td><td>4A6</td></tr><tr><td>ACK</td><td>CHASSIS_GND3 - @sync_lib.SYNC</td><td>4A8</td></tr><tr><td>ACK</td><td>=GND_CHASSIS_DCIN_JACK - @sync_lib.SYNC</td><td>4A7 10C8</td></tr><tr><td>ACK</td><td>CHASSIS_GND1 - @sync_lib.SYNC</td><td>4A8</td></tr><tr><td>ACK</td><td>=GND_CHASSIS_LTUSB - @sync_lib.SYNC</td><td>4A7 8A2 8C2</td></tr><tr><td>ACK</td><td>CHASSIS_GND1 - @sync_lib.SYNC</td><td>4A8</td></tr><tr><td>ACK</td><td>=GND_CHASSIS_LTUSB - @sync_lib.SYNC</td><td>4A7 8A2 8C2</td></tr><tr><td>ACK</td><td>=GND_CHASSIS_LIO_FLEX - @sync_lib.SYNC</td><td>4A7 7B3</td></tr><tr><td>ACK</td><td>=GND_CHASSIS_PCIE_EXCARD_RIGHT - @sync_lib.SYNC</td><td>4A6 6B2</td></tr><tr><td>ACK</td><td>CHASSIS_GND4 - @sync_lib.SYNC</td><td>4A8</td></tr><tr><td>ACK</td><td>=GND_CHASSIS_PCIE_EXCARD_RIGHT - @sync_lib.SYNC</td><td>4A6 6B2</td></tr><tr><td>ACK</td><td>=LIO_P3V3S0_EN_L - @sync_lib.SYNC</td><td>4C4 7C6 11A4</td></tr><tr><td>ACK</td><td>=LIO_P5V50_EN_L - @sync_lib.SYNC</td><td>4C3 11A8</td></tr><tr><td>ACK</td><td>PM_SLP_S3_L5V - @sync_lib.SYNC</td><td>4C3</td></tr><tr><td>ACK</td><td>=LIO_P5V50_EN_L - @sync_lib.SYNC</td><td>4C3 11A8</td></tr><tr><td>ACK</td><td>=LIO_P3V3S3_EN - @sync_lib.SYNC</td><td>4C4 7C6 11C8</td></tr><tr><td>ACK</td><td>LIO_P3V3S3_EN - @sync_lib.SYNC</td><td>4C3</td></tr><tr><td>ACK</td><td>=LT2USB_OC_L - @sync_lib.SYNC</td><td>4A3 7C6</td></tr><tr><td>ACK</td><td>USB_LEFT2_OC_L - @sync_lib.SYNC</td><td>4A5 8B8</td></tr><tr><td>ACK</td><td>=LTUSB_OC_L - @sync_lib.SYNC</td><td>4B3 7C6</td></tr><tr><td>ACK</td><td>USB_LEFT_OC_L - @sync_lib.SYNC</td><td>4B5 8B8</td></tr><tr><td>ACK</td><td>=MINI_CLKREQ_L - @sync_lib.SYNC</td><td>4B5 7C6</td></tr><tr><td>ACK</td><td>MINI_CLKREQ_L - @sync_lib.SYNC</td><td>4B4 5C6</td></tr><tr><td>ACK</td><td>=PCIE_CLK100M_EXCARD_N - @sync_lib.SYNC</td><td>4D5 7B1</td></tr><tr><td>ACK</td><td>PCIE_CLK100M_EXCARD_N - @sync_lib.SYNC</td><td>4D2 6C3</td></tr><tr><td>ACK</td><td>=PCIE_CLK100M_EXCARD_P - @sync_lib.SYNC</td><td>4D5 7B1</td></tr><tr><td>ACK</td><td>PCIE_CLK100M_EXCARD_P - @sync_lib.SYNC</td><td>4D2 6C3</td></tr><tr><td>ACK</td><td>=PCIE_CLK100M_MINI_N - @sync_lib.SYNC</td><td>4B5 7C1</td></tr><tr><td>ACK</td><td>PCIE_CLK100M_MINI_N - @sync_lib.SYNC</td><td>4B2 5C6</td></tr><tr><td>ACK</td><td>=PCIE_CLK100M_MINI_P - @sync_lib.SYNC</td><td>4B5 7C1</td></tr><tr><td>ACK</td><td>PCIE_CLK100M_MINI_P - @sync_lib.SYNC</td><td>4B2 5C6</td></tr><tr><td>ACK</td><td>=PCIE_EXCARD_D2R_N - @sync_lib.SYNC</td><td>4D5 7B3</td></tr><tr><td>ACK</td><td>PCIE_EXCARD_D2R_N - @sync_lib.SYNC</td><td>4D2 6C3</td></tr><tr><td>ACK</td><td>=PCIE_EXCARD_D2R_P - @sync_lib.SYNC</td><td>4D5 7B3</td></tr><tr><td>ACK</td><td>PCIE_EXCARD_D2R_P - @sync_lib.SYNC</td><td>4D2 6C3</td></tr><tr><td>ACK</td><td>=PCIE_EXCARD_R2D_N - @sync_lib.SYNC</td><td>4D5 7B3</td></tr><tr><td>ACK</td><td>PCIE_EXCARD_R2D_N - @sync_lib.SYNC</td><td>4D2 6C3</td></tr><tr><td>ACK</td><td>=PCIE_EXCARD_R2D_P - @sync_lib.SYNC</td><td>4D5 7B3</td></tr><tr><td>ACK</td><td>PCIE_EXCARD_R2D_P - @sync_lib.SYNC</td><td>4D2 6C3</td></tr><tr><td>ACK</td><td>=PCIE_MINI_D2R_N - @sync_lib.SYNC</td><td>4B5 7C3</td></tr><tr><td>ACK</td><td>PCIE_MINI_D2R_N - @sync_lib.SYNC</td><td>4B2 5C6</td></tr><tr><td>ACK</td><td>=PCIE_MINI_D2R_P - @sync_lib.SYNC</td><td>4B5 7C3</td></tr><tr><td>ACK</td><td>PCIE_MINI_D2R_P - @sync_lib.SYNC</td><td>4B2 5C6</td></tr><tr><td>ACK</td><td>=PCIE_MINI_R2D_N - @sync_lib.SYNC</td><td>4B5 7C3</td></tr><tr><td>ACK</td><td>PCIE_MINI_R2D_N - @sync_lib.SYNC</td><td>4B2 5C6</td></tr><tr><td>ACK</td><td>=PCIE_MINI_R2D_P - @sync_lib.SYNC</td><td>4C5 7C2</td></tr><tr><td>ACK</td><td>PCIE_MINI_R2D_P - @sync_lib.SYNC</td><td>4C2 5B6</td></tr><tr><td>ACK</td><td>=PP1V5_S0_EXCARD - @sync_lib.SYNC</td><td>4C6 6C7 6C8</td></tr><tr><td>ACK</td><td>PP1V5_S0_LIO - @sync_lib.SYNC</td><td>4D8 7B3</td></tr><tr><td>ACK</td><td>PP1V5_S0_MINI - @sync_lib.SYNC</td><td>4D7 5C2</td></tr><tr><td>ACK</td><td>PP1V5_S0_LIO - @sync_lib.SYNC</td><td>4D7</td></tr><tr><td>ACK</td><td>PP1V5_S0_MINI - @sync_lib.SYNC</td><td>4D7 5C2</td></tr><tr><td>ACK</td><td>PP1V5_S0_LIO - @sync_lib.SYNC</td><td>4D8 7B3</td></tr><tr><td>ACK</td><td>=PP3V3_S0_AUDIO - @sync_lib.SYNC</td><td>4C6</td></tr><tr><td>ACK</td><td>PP3V3_S0_EXCARD - @sync_lib.SYNC</td><td>4C6 6B4 6C7</td></tr><tr><td>ACK</td><td>PP3V3_S0_FET - @sync_lib.SYNC</td><td>4C8 11A2</td></tr><tr><td>ACK</td><td>PP3V3_S0_MINI - @sync_lib.SYNC</td><td>4C6 5D2</td></tr><tr><td>ACK</td><td>PP3V3_S0_LIO - @sync_lib.SYNC</td><td>4C7</td></tr><tr><td>ACK</td><td>PP3V3_S0_MINI - @sync_lib.SYNC</td><td>4C6 5D2</td></tr><tr><td>ACK</td><td>PP3V3_S0_FET - @sync_lib.SYNC</td><td>4C8 11A2</td></tr><tr><td>ACK</td><td>PP3V3_S0_EXCARD - @sync_lib.SYNC</td><td>4C6 6B4 6C7</td></tr><tr><td>ACK</td><td>PP3V3_S3_EXCARD - @sync_lib.SYNC</td><td>4C6 6B8 6C7 6C8</td></tr><tr><td>ACK</td><td>PP3V3_S3_LFTALS - @sync_lib.SYNC</td><td>4C6 9D6</td></tr><tr><td>ACK</td><td>PP3V3_S3_LFTALS_TEMP - @sync_lib.SYNC</td><td>4C6 9B4</td></tr><tr><td>ACK</td><td>PP3V3_S3_REG - @sync_lib.SYNC</td><td>4C8 11A4 11B1</td></tr><tr><td>ACK</td><td>PP3V3_S3_MINI - @sync_lib.SYNC</td><td>4C6 5C2</td></tr><tr><td>ACK</td><td>PP3V3_S3_LIO - @sync_lib.SYNC</td><td>4C7</td></tr><tr><td>ACK</td><td>PP3V3_S3_REG - @sync_lib.SYNC</td><td>4C8 11A4 11B1</td></tr><tr><td>ACK</td><td>PP3V3_S3_MINI - @sync_lib.SYNC</td><td>4C6 5C2</td></tr><tr><td>ACK</td><td>PP3V3_S3_LFTALS_TEMP - @sync_lib.SYNC</td><td>4C6 9B4</td></tr><tr><td>ACK</td><td>PP3V3_S3_LFTALS - @sync_lib.SYNC</td><td>4C6 9D6</td></tr><tr><td>ACK</td><td>PP5V_S0_AUDIO - @sync_lib.SYNC</td><td>4B8</td></tr><tr><td>ACK</td><td>PP5V_S0_AUDIO_LIO - @sync_lib.SYNC</td><td>4B7</td></tr><tr><td>ACK</td><td>PP5V_S0_AUDIO_AMP - @sync_lib.SYNC</td><td>4B8</td></tr><tr><td>ACK</td><td>PP5V_S0_AUDIO_AMP_LIO - @sync_lib.SYNC</td><td>4B6</td></tr><tr><td>ACK</td><td>PP5V_S0_AUDIO_AMP_XW - @sync_lib.SYNC</td><td>11A6</td></tr><tr><td>ACK</td><td>PP5V_S0_AUDIO_XW - @sync_lib.SYNC</td><td>11A6</td></tr><tr><td>ACK</td><td>PP5V_S3_LIO - @sync_lib.SYNC</td><td>4C7 11A8</td></tr><tr><td>ACK</td><td>PP5V_S3_REG - @sync_lib.SYNC</td><td>4C8 11C1</td></tr><tr><td>ACK</td><td>PP5V_S3_LTUSB - @sync_lib.SYNC</td><td>4C7 8B8</td></tr><tr><td>ACK</td><td>PP5V_S3_LIO - @sync_lib.SYNC</td><td>4C7</td></tr></tbody></table>				Base Signal	Synonyms	Location((Zone) dir))	=EXCARD_CLKREQ_L	=EXCARD_CLKREQ_L - @sync_lib.SYNC	4C5 7C6	EXCARD_CLKREQ_L	=EXCARD_CLKREQ_L - @sync_lib.SYNC	4C3 6B2	=EXCARD_OC_L	=EXCARD_OC_L - @sync_lib.SYNC	4C5 7C6	EXCARD_OC_L	=EXCARD_OC_L - @sync_lib.SYNC	4C4 6C7	=GND_AUDIO	=GND_AUDIO - @sync_lib.SYNC	4A8	GND_AUDIO	=GND_AUDIO_CODEC - @sync_lib.SYNC	4A7 11A6	GND_AUDIO	=GND_AUDIO - @sync_lib.SYNC	4A7	=GND_AUDIO_AMP	=GND_AUDIO_CODEC - @sync_lib.SYNC	4A7 11A6	GND_AUDIO_AMP	=GND_AUDIO_AMP - @sync_lib.SYNC	4B8 11A6	GND_AUDIO_AMP	=GND_AUDIO_AMP - @sync_lib.SYNC	4B7	=GND_CHASSIS_AUDIO_JACK	=GND_CHASSIS_AUDIO_JACK - @sync_lib.SYNC	4A7	ACK	=GND_CHASSIS_PCIE_EXCARD_LEFT - @sync_lib.SYNC	4A6 6B1 6D3	ACK	=GND_CHASSIS_PCIE_EXCARD_RIGHT - @sync_lib.SYNC	4A6 6B2	ACK	CHASSIS_GND2 - @sync_lib.SYNC	4A8	ACK	=GND_CHASSIS_PCIE_EXCARD_LEFT - @sync_lib.SYNC	4A6 6B1 6D3	ACK	=GND_CHASSIS_AUDIO_MIC - @sync_lib.SYNC	4A7	ACK	=GND_CHASSIS_AUDIO_SPKRCONN - @sync_lib.SYNC	4A6	ACK	CHASSIS_GND3 - @sync_lib.SYNC	4A8	ACK	=GND_CHASSIS_DCIN_JACK - @sync_lib.SYNC	4A7 10C8	ACK	CHASSIS_GND1 - @sync_lib.SYNC	4A8	ACK	=GND_CHASSIS_LTUSB - @sync_lib.SYNC	4A7 8A2 8C2	ACK	CHASSIS_GND1 - @sync_lib.SYNC	4A8	ACK	=GND_CHASSIS_LTUSB - @sync_lib.SYNC	4A7 8A2 8C2	ACK	=GND_CHASSIS_LIO_FLEX - @sync_lib.SYNC	4A7 7B3	ACK	=GND_CHASSIS_PCIE_EXCARD_RIGHT - @sync_lib.SYNC	4A6 6B2	ACK	CHASSIS_GND4 - @sync_lib.SYNC	4A8	ACK	=GND_CHASSIS_PCIE_EXCARD_RIGHT - @sync_lib.SYNC	4A6 6B2	ACK	=LIO_P3V3S0_EN_L - @sync_lib.SYNC	4C4 7C6 11A4	ACK	=LIO_P5V50_EN_L - @sync_lib.SYNC	4C3 11A8	ACK	PM_SLP_S3_L5V - @sync_lib.SYNC	4C3	ACK	=LIO_P5V50_EN_L - @sync_lib.SYNC	4C3 11A8	ACK	=LIO_P3V3S3_EN - @sync_lib.SYNC	4C4 7C6 11C8	ACK	LIO_P3V3S3_EN - @sync_lib.SYNC	4C3	ACK	=LT2USB_OC_L - @sync_lib.SYNC	4A3 7C6	ACK	USB_LEFT2_OC_L - @sync_lib.SYNC	4A5 8B8	ACK	=LTUSB_OC_L - @sync_lib.SYNC	4B3 7C6	ACK	USB_LEFT_OC_L - @sync_lib.SYNC	4B5 8B8	ACK	=MINI_CLKREQ_L - @sync_lib.SYNC	4B5 7C6	ACK	MINI_CLKREQ_L - @sync_lib.SYNC	4B4 5C6	ACK	=PCIE_CLK100M_EXCARD_N - @sync_lib.SYNC	4D5 7B1	ACK	PCIE_CLK100M_EXCARD_N - @sync_lib.SYNC	4D2 6C3	ACK	=PCIE_CLK100M_EXCARD_P - @sync_lib.SYNC	4D5 7B1	ACK	PCIE_CLK100M_EXCARD_P - @sync_lib.SYNC	4D2 6C3	ACK	=PCIE_CLK100M_MINI_N - @sync_lib.SYNC	4B5 7C1	ACK	PCIE_CLK100M_MINI_N - @sync_lib.SYNC	4B2 5C6	ACK	=PCIE_CLK100M_MINI_P - @sync_lib.SYNC	4B5 7C1	ACK	PCIE_CLK100M_MINI_P - @sync_lib.SYNC	4B2 5C6	ACK	=PCIE_EXCARD_D2R_N - @sync_lib.SYNC	4D5 7B3	ACK	PCIE_EXCARD_D2R_N - @sync_lib.SYNC	4D2 6C3	ACK	=PCIE_EXCARD_D2R_P - @sync_lib.SYNC	4D5 7B3	ACK	PCIE_EXCARD_D2R_P - @sync_lib.SYNC	4D2 6C3	ACK	=PCIE_EXCARD_R2D_N - @sync_lib.SYNC	4D5 7B3	ACK	PCIE_EXCARD_R2D_N - @sync_lib.SYNC	4D2 6C3	ACK	=PCIE_EXCARD_R2D_P - @sync_lib.SYNC	4D5 7B3	ACK	PCIE_EXCARD_R2D_P - @sync_lib.SYNC	4D2 6C3	ACK	=PCIE_MINI_D2R_N - @sync_lib.SYNC	4B5 7C3	ACK	PCIE_MINI_D2R_N - @sync_lib.SYNC	4B2 5C6	ACK	=PCIE_MINI_D2R_P - @sync_lib.SYNC	4B5 7C3	ACK	PCIE_MINI_D2R_P - @sync_lib.SYNC	4B2 5C6	ACK	=PCIE_MINI_R2D_N - @sync_lib.SYNC	4B5 7C3	ACK	PCIE_MINI_R2D_N - @sync_lib.SYNC	4B2 5C6	ACK	=PCIE_MINI_R2D_P - @sync_lib.SYNC	4C5 7C2	ACK	PCIE_MINI_R2D_P - @sync_lib.SYNC	4C2 5B6	ACK	=PP1V5_S0_EXCARD - @sync_lib.SYNC	4C6 6C7 6C8	ACK	PP1V5_S0_LIO - @sync_lib.SYNC	4D8 7B3	ACK	PP1V5_S0_MINI - @sync_lib.SYNC	4D7 5C2	ACK	PP1V5_S0_LIO - @sync_lib.SYNC	4D7	ACK	PP1V5_S0_MINI - @sync_lib.SYNC	4D7 5C2	ACK	PP1V5_S0_LIO - @sync_lib.SYNC	4D8 7B3	ACK	=PP3V3_S0_AUDIO - @sync_lib.SYNC	4C6	ACK	PP3V3_S0_EXCARD - @sync_lib.SYNC	4C6 6B4 6C7	ACK	PP3V3_S0_FET - @sync_lib.SYNC	4C8 11A2	ACK	PP3V3_S0_MINI - @sync_lib.SYNC	4C6 5D2	ACK	PP3V3_S0_LIO - @sync_lib.SYNC	4C7	ACK	PP3V3_S0_MINI - @sync_lib.SYNC	4C6 5D2	ACK	PP3V3_S0_FET - @sync_lib.SYNC	4C8 11A2	ACK	PP3V3_S0_EXCARD - @sync_lib.SYNC	4C6 6B4 6C7	ACK	PP3V3_S3_EXCARD - @sync_lib.SYNC	4C6 6B8 6C7 6C8	ACK	PP3V3_S3_LFTALS - @sync_lib.SYNC	4C6 9D6	ACK	PP3V3_S3_LFTALS_TEMP - @sync_lib.SYNC	4C6 9B4	ACK	PP3V3_S3_REG - @sync_lib.SYNC	4C8 11A4 11B1	ACK	PP3V3_S3_MINI - @sync_lib.SYNC	4C6 5C2	ACK	PP3V3_S3_LIO - @sync_lib.SYNC	4C7	ACK	PP3V3_S3_REG - @sync_lib.SYNC	4C8 11A4 11B1	ACK	PP3V3_S3_MINI - @sync_lib.SYNC	4C6 5C2	ACK	PP3V3_S3_LFTALS_TEMP - @sync_lib.SYNC	4C6 9B4	ACK	PP3V3_S3_LFTALS - @sync_lib.SYNC	4C6 9D6	ACK	PP5V_S0_AUDIO - @sync_lib.SYNC	4B8	ACK	PP5V_S0_AUDIO_LIO - @sync_lib.SYNC	4B7	ACK	PP5V_S0_AUDIO_AMP - @sync_lib.SYNC	4B8	ACK	PP5V_S0_AUDIO_AMP_LIO - @sync_lib.SYNC	4B6	ACK	PP5V_S0_AUDIO_AMP_XW - @sync_lib.SYNC	11A6	ACK	PP5V_S0_AUDIO_XW - @sync_lib.SYNC	11A6	ACK	PP5V_S3_LIO - @sync_lib.SYNC	4C7 11A8	ACK	PP5V_S3_REG - @sync_lib.SYNC	4C8 11C1	ACK	PP5V_S3_LTUSB - @sync_lib.SYNC	4C7 8B8	ACK	PP5V_S3_LIO - @sync_lib.SYNC	4C7	<table border="1"><tbody><tr><td>=PP5V_S3_REG - @sync_lib.SYNC</td><td>4C8 11C1</td></tr><tr><td>=PP5V_S3_LTUSB - @sync_lib.SYNC</td><td>4C7 8B8</td></tr><tr><td>=PPBUS_G3H_DCIN_CONN - @sync_lib.SYNC</td><td>4D8 12C4</td></tr><tr><td>PPBUS_G3H_DCIN_CONN - @sync_lib.SYNC</td><td>4D7</td></tr><tr><td>PPBUS_G3H_DCIN_CONN - @sync_lib.SYNC</td><td>4D6 11D8</td></tr><tr><td>PPBUS_G3H_DCIN_CONN - @sync_lib.SYNC</td><td>4D7</td></tr><tr><td>PPBUS_G3H_DCIN_CONN - @sync_lib.SYNC</td><td>4D6 11D8</td></tr><tr><td>=SMBUS_ALSTEMP_SCL - @sync_lib.SYNC</td><td>4A2 9A6</td></tr><tr><td>SMBUS_MINI_SCL - @sync_lib.SYNC</td><td>4A2 5B3</td></tr><tr><td>SMBUS_SMC_SCL - @sync_lib.SYNC</td><td>4A3 7B3</td></tr><tr><td>SMBUS_MINI_SCL - @sync_lib.SYNC</td><td>4A2 5B3</td></tr><tr><td>SMBUS_ALSTEMP_SDA - @sync_lib.SYNC</td><td>4A4 9A6</td></tr><tr><td>SMBUS_MINI_SDA - @sync_lib.SYNC</td><td>4A4 5B3</td></tr><tr><td>SMBUS_SMC_SDA - @sync_lib.SYNC</td><td>4A5 7B3</td></tr><tr><td>SMBUS_MINI_SDA - @sync_lib.SYNC</td><td>4A4 5B3</td></tr><tr><td>SMBUS_EXCARD_SCL - @sync_lib.SYNC</td><td>4A2 6C3</td></tr><tr><td>SMBUS_SB_SCL - @sync_lib.SYNC</td><td>4A3 7B6</td></tr><tr><td>SMBUS_EXCARD_SDA - @sync_lib.SYNC</td><td>4A4 6C3</td></tr><tr><td>SMBUS_SB_SDA - @sync_lib.SYNC</td><td>4A5 7B6</td></tr><tr><td>SMBUS_EXCARD_N - @sync_lib.SYNC</td><td>4D5 7C3</td></tr><tr><td>USB2_EXCARD_N - @sync_lib.SYNC</td><td>4D2 6C3</td></tr><tr><td>USB2_EXCARD_P - @sync_lib.SYNC</td><td>4D5 7C3</td></tr><tr><td>USB2_EXCARD_P - @sync_lib.SYNC</td><td>4D2 6C3</td></tr><tr><td>USB2_LT2_N - @sync_lib.SYNC</td><td>4B3 7C3</td></tr><tr><td>USB_LEFT2_N - @sync_lib.SYNC</td><td>4B5 8C5</td></tr><tr><td>USB2_LT2_P - @sync_lib.SYNC</td><td>4B3 7C3</td></tr><tr><td>USB2_LT_N - @sync_lib.SYNC</td><td>4B3 7C3</td></tr><tr><td>USB2_LT_P - @sync_lib.SYNC</td><td>4B3 7C3</td></tr><tr><td>AC2_BITCLK - @sync_lib.SYNC</td><td>7B6</td></tr><tr><td>AC2_RST_L - @sync_lib.SYNC</td><td>7B6</td></tr><tr><td>AC2_SDATAIN<0> - @sync_lib.SYNC</td><td>7B6</td></tr><tr><td>AC2_SDATAOUT - @sync_lib.SYNC</td><td>7B6</td></tr><tr><td>AC2_SYNC - @sync_lib.SYNC</td><td>7B6</td></tr><tr><td>ADAPTER_SENSE - @sync_lib.SYNC</td><td>10D6</td></tr><tr><td>ADAPTER_SENSE_UP - @sync_lib.SYNC</td><td>10D7</td></tr><tr><td>EC_HOLE1 - @sync_lib.SYNC</td><td>6D3</td></tr><tr><td>EC_HOLE2 - @sync_lib.SYNC</td><td>6B2</td></tr><tr><td>EXCARD_CLKREQ_CONN - @sync_lib.SYNC</td><td>6B3</td></tr><tr><td>EXCARD_CLKREQ_CONN_L - @sync_lib.SYNC</td><td>6A4 6C3</td></tr><tr><td>EXCARD_CPPE_L - @sync_lib.SYNC</td><td>6A8 6C3 6C3</td></tr><tr><td>EXCARD_CPUSB_L - @sync_lib.SYNC</td><td>6A8 6C3 6C3</td></tr><tr><td>EXCARD_RCLKEN - @sync_lib.SYNC</td><td>6A8 6C5</td></tr><tr><td>EXCARD_SHDN_L_R - @sync_lib.SYNC</td><td>6C5</td></tr><tr><td>GND_5V53_3V53_SGND - @sync_lib.SYNC</td><td>11A6</td></tr><tr><td>GND_ADAPTER_UP - @sync_lib.SYNC</td><td>10D7</td></tr><tr><td>LEFT_ALS_GAIN_SW - @sync_lib.SYNC</td><td>7C6 9C4</td></tr><tr><td>LEFT_ALS_GAIN_SW_R - @sync_lib.SYNC</td><td>9C5</td></tr><tr><td>LEFT_ALS_OP_COMP - @sync_lib.SYNC</td><td>9C6</td></tr><tr><td>LEFT_ALS_OP_IN - @sync_lib.SYNC</td><td>9C5</td></tr><tr><td>LEFT_ALS_OUT - @sync_lib.SYNC</td><td>7C6 9C4</td></tr><tr><td>LEFT_ALS_OUT_FB - @sync_lib.SYNC</td><td>9C5</td></tr><tr><td>LEFT_GAIN_SETTLING - @sync_lib.SYNC</td><td>9C5</td></tr><tr><td>LEFT_PHOTODIODE - @sync_lib.SYNC</td><td>9C6</td></tr><tr><td>LIO_P3V3S0_EN_R_L - @sync_lib.SYNC</td><td>11A3</td></tr><tr><td>LIO_P5V50_EN_R_L - @sync_lib.SYNC</td><td>11A8</td></tr><tr><td>LIO_PLT_RESET_L - @sync_lib.SYNC</td><td>4C3 7C6</td></tr><tr><td>PLT_RESET_L - @sync_lib.SYNC</td><td>4C4 5C3 6C7</td></tr><tr><td>NC_LED_WLAN_L - @sync_lib.SYNC</td><td>5B3</td></tr><tr><td>NC_LED_WLAN_P - @sync_lib.SYNC</td><td>5B3</td></tr><tr><td>NC_LED_WWAN_L - @sync_lib.SYNC</td><td>5B3</td></tr><tr><td>NC_LIO_P3V3S3_PGOOD - @sync_lib.SYNC</td><td>11B7</td></tr><tr><td>NC_LIO_P5V53_PGOOD - @sync_lib.SYNC</td><td>11B7</td></tr><tr><td>NC_UIM_CLK - @sync_lib.SYNC</td><td>5C3</td></tr><tr><td>NC_UIM_DATA - @sync_lib.SYNC</td><td>5C3</td></tr><tr><td>NC_UIM_PWR - @sync_lib.SYNC</td><td>5C3</td></tr><tr><td>NC_UIM_RESET - @sync_lib.SYNC</td><td>5C3</td></tr><tr><td>NC_UIM_VFP - @sync_lib.SYNC</td><td>5C3</td></tr><tr><td>NC_W_DISABLE_L - @sync_lib.SYNC</td><td>5C3</td></tr><tr><td>ONWIRE_DCIN_DIV - @sync_lib.SYNC</td><td>10C5</td></tr><tr><td>ONWIRE_EN - @sync_lib.SYNC</td><td>10C3</td></tr><tr><td>ONWIRE_ESD - @sync_lib.SYNC</td><td>10C4</td></tr><tr><td>ONWIRE_OVERVOLT - @sync_lib.SYNC</td><td>10C4</td></tr><tr><td>ONWIRE_PWR_EN_L - @sync_lib.SYNC</td><td>10C2</td></tr><tr><td>ONWIRE_PWR_EN_L_DIV - @sync_lib.SYNC</td><td>10D2</td></tr><tr><td>P3V3S3_BOOT - @sync_lib.SYNC</td><td>11B4 11B6</td></tr><tr><td>P3V3S3_LG - @sync_lib.SYNC</td><td>11B4</td></tr><tr><td>P3V3S3_PHASE - @sync_lib.SYNC</td><td>11B4</td></tr><tr><td>P3V3S3_UG - @sync_lib.SYNC</td><td>11B4</td></tr><tr><td>P3V3S3_V02 - @sync_lib.SYNC</td><td>11B6</td></tr><tr><td>P3V3S3_BOOT - @sync_lib.SYNC</td><td>11C4 11C6</td></tr><tr><td>P3V3S3_CS1 - @sync_lib.SYNC</td><td>11C6</td></tr><tr><td>P3V3S3_CS2 - @sync_lib.SYNC</td><td>11C6</td></tr><tr><td>P3V3S3_LG - @sync_lib.SYNC</td><td>11C4</td></tr><tr><td>P3V3S3_PHASE - @sync_lib.SYNC</td><td>11C4</td></tr><tr><td>P3V3S3_UG - @sync_lib.SYNC</td><td>11C4</td></tr><tr><td>P3V3S3_V5FILT - @sync_lib.SYNC</td><td>11B6 11C5 11C6</td></tr><tr><td>P3V3S3_V01 - @sync_lib.SYNC</td><td>11B6</td></tr><tr><td>P3V3S3_VREF - @sync_lib.SYNC</td><td>11C5 11C8</td></tr><tr><td>P3V3S3_VREG3 - @sync_lib.SYNC</td><td>11C5</td></tr><tr><td>P3V3S3_VREG5 - @sync_lib.SYNC</td><td>11C5</td></tr><tr><td>PCIE_CLK100M_EXCARD - @sync_lib.SYNC</td><td>7C4</td></tr><tr><td>PCIE_CLK100M_EXCARD_UP_N - @sync_lib.SYNC</td><td>7B4</td></tr><tr><td>PCIE_CLK100M_EXCARD_UP_P - @sync_lib.SYNC</td><td>7C4</td></tr><tr><td>PCIE_CLK100M_MINI_UP_N - @sync_lib.SYNC</td><td>7C4</td></tr><tr><td>PCIE_CLK100M_MINI_UP_P - @sync_lib.SYNC</td><td>7C4</td></tr><tr><td>PCIE_WAKE_EXCARD_L - @sync_lib.SYNC</td><td>4C3 6C3</td></tr><tr><td>PCIE_WAKE_L - @sync_lib.SYNC</td><td>4C4 7C6</td></tr><tr><td>PCIE_WAKE_MINI_L - @sync_lib.SYNC</td><td>4C3 5C6</td></tr><tr><td>PCIE_WAKE_L - @sync_lib.SYNC</td><td>4C4 7C6</td></tr><tr><td>PGND1 - @sync_lib.SYNC</td><td>11B6</td></tr><tr><td>PGND2 - @sync_lib.SYNC</td><td>11B6</td></tr><tr><td>PLT_RESET_SWITCH_L - @sync_lib.SYNC</td><td>6C3 6C3</td></tr><tr><td>PP1V5_S0_EXCARD_SWIT - @sync_lib.SYNC</td><td>6C3 6C3</td></tr><tr><td>PP3V3_S0_EXCARD_SWIT - @sync_lib.SYNC</td><td>6C3 6C3</td></tr><tr><td>PP3V3_S3_EXCARD_SWIT - @sync_lib.SYNC</td><td>6C3 6C3</td></tr><tr><td>PP5V_PWRON_USB_LEFT2 - @sync_lib.SYNC</td><td>8D4</td></tr><tr><td>PP5V_PWRON_USB_LEFT2_EMI - @sync_lib.SYNC</td><td>8B4</td></tr><tr><td>PP5V_PWRON_USB_LEFT2 - @sync_lib.SYNC</td><td>8B4</td></tr><tr><td>PP5V_S0_FET - @sync_lib.SYNC</td><td>11A7</td></tr><tr><td>PP5V_S3_USB_SWITCH_O - @sync_lib.SYNC</td><td>8B5</td></tr></tbody></table>				=PP5V_S3_REG - @sync_lib.SYNC	4C8 11C1	=PP5V_S3_LTUSB - @sync_lib.SYNC	4C7 8B8	=PPBUS_G3H_DCIN_CONN - @sync_lib.SYNC	4D8 12C4	PPBUS_G3H_DCIN_CONN - @sync_lib.SYNC	4D7	PPBUS_G3H_DCIN_CONN - @sync_lib.SYNC	4D6 11D8	PPBUS_G3H_DCIN_CONN - @sync_lib.SYNC	4D7	PPBUS_G3H_DCIN_CONN - @sync_lib.SYNC	4D6 11D8	=SMBUS_ALSTEMP_SCL - @sync_lib.SYNC	4A2 9A6	SMBUS_MINI_SCL - @sync_lib.SYNC	4A2 5B3	SMBUS_SMC_SCL - @sync_lib.SYNC	4A3 7B3	SMBUS_MINI_SCL - @sync_lib.SYNC	4A2 5B3	SMBUS_ALSTEMP_SDA - @sync_lib.SYNC	4A4 9A6	SMBUS_MINI_SDA - @sync_lib.SYNC	4A4 5B3	SMBUS_SMC_SDA - @sync_lib.SYNC	4A5 7B3	SMBUS_MINI_SDA - @sync_lib.SYNC	4A4 5B3	SMBUS_EXCARD_SCL - @sync_lib.SYNC	4A2 6C3	SMBUS_SB_SCL - @sync_lib.SYNC	4A3 7B6	SMBUS_EXCARD_SDA - @sync_lib.SYNC	4A4 6C3	SMBUS_SB_SDA - @sync_lib.SYNC	4A5 7B6	SMBUS_EXCARD_N - @sync_lib.SYNC	4D5 7C3	USB2_EXCARD_N - @sync_lib.SYNC	4D2 6C3	USB2_EXCARD_P - @sync_lib.SYNC	4D5 7C3	USB2_EXCARD_P - @sync_lib.SYNC	4D2 6C3	USB2_LT2_N - @sync_lib.SYNC	4B3 7C3	USB_LEFT2_N - @sync_lib.SYNC	4B5 8C5	USB2_LT2_P - @sync_lib.SYNC	4B3 7C3	USB2_LT_N - @sync_lib.SYNC	4B3 7C3	USB2_LT_P - @sync_lib.SYNC	4B3 7C3	AC2_BITCLK - @sync_lib.SYNC	7B6	AC2_RST_L - @sync_lib.SYNC	7B6	AC2_SDATAIN<0> - @sync_lib.SYNC	7B6	AC2_SDATAOUT - @sync_lib.SYNC	7B6	AC2_SYNC - @sync_lib.SYNC	7B6	ADAPTER_SENSE - @sync_lib.SYNC	10D6	ADAPTER_SENSE_UP - @sync_lib.SYNC	10D7	EC_HOLE1 - @sync_lib.SYNC	6D3	EC_HOLE2 - @sync_lib.SYNC	6B2	EXCARD_CLKREQ_CONN - @sync_lib.SYNC	6B3	EXCARD_CLKREQ_CONN_L - @sync_lib.SYNC	6A4 6C3	EXCARD_CPPE_L - @sync_lib.SYNC	6A8 6C3 6C3	EXCARD_CPUSB_L - @sync_lib.SYNC	6A8 6C3 6C3	EXCARD_RCLKEN - @sync_lib.SYNC	6A8 6C5	EXCARD_SHDN_L_R - @sync_lib.SYNC	6C5	GND_5V53_3V53_SGND - @sync_lib.SYNC	11A6	GND_ADAPTER_UP - @sync_lib.SYNC	10D7	LEFT_ALS_GAIN_SW - @sync_lib.SYNC	7C6 9C4	LEFT_ALS_GAIN_SW_R - @sync_lib.SYNC	9C5	LEFT_ALS_OP_COMP - @sync_lib.SYNC	9C6	LEFT_ALS_OP_IN - @sync_lib.SYNC	9C5	LEFT_ALS_OUT - @sync_lib.SYNC	7C6 9C4	LEFT_ALS_OUT_FB - @sync_lib.SYNC	9C5	LEFT_GAIN_SETTLING - @sync_lib.SYNC	9C5	LEFT_PHOTODIODE - @sync_lib.SYNC	9C6	LIO_P3V3S0_EN_R_L - @sync_lib.SYNC	11A3	LIO_P5V50_EN_R_L - @sync_lib.SYNC	11A8	LIO_PLT_RESET_L - @sync_lib.SYNC	4C3 7C6	PLT_RESET_L - @sync_lib.SYNC	4C4 5C3 6C7	NC_LED_WLAN_L - @sync_lib.SYNC	5B3	NC_LED_WLAN_P - @sync_lib.SYNC	5B3	NC_LED_WWAN_L - @sync_lib.SYNC	5B3	NC_LIO_P3V3S3_PGOOD - @sync_lib.SYNC	11B7	NC_LIO_P5V53_PGOOD - @sync_lib.SYNC	11B7	NC_UIM_CLK - @sync_lib.SYNC	5C3	NC_UIM_DATA - @sync_lib.SYNC	5C3	NC_UIM_PWR - @sync_lib.SYNC	5C3	NC_UIM_RESET - @sync_lib.SYNC	5C3	NC_UIM_VFP - @sync_lib.SYNC	5C3	NC_W_DISABLE_L - @sync_lib.SYNC	5C3	ONWIRE_DCIN_DIV - @sync_lib.SYNC	10C5	ONWIRE_EN - @sync_lib.SYNC	10C3	ONWIRE_ESD - @sync_lib.SYNC	10C4	ONWIRE_OVERVOLT - @sync_lib.SYNC	10C4	ONWIRE_PWR_EN_L - @sync_lib.SYNC	10C2	ONWIRE_PWR_EN_L_DIV - @sync_lib.SYNC	10D2	P3V3S3_BOOT - @sync_lib.SYNC	11B4 11B6	P3V3S3_LG - @sync_lib.SYNC	11B4	P3V3S3_PHASE - @sync_lib.SYNC	11B4	P3V3S3_UG - @sync_lib.SYNC	11B4	P3V3S3_V02 - @sync_lib.SYNC	11B6	P3V3S3_BOOT - @sync_lib.SYNC	11C4 11C6	P3V3S3_CS1 - @sync_lib.SYNC	11C6	P3V3S3_CS2 - @sync_lib.SYNC	11C6	P3V3S3_LG - @sync_lib.SYNC	11C4	P3V3S3_PHASE - @sync_lib.SYNC	11C4	P3V3S3_UG - @sync_lib.SYNC	11C4	P3V3S3_V5FILT - @sync_lib.SYNC	11B6 11C5 11C6	P3V3S3_V01 - @sync_lib.SYNC	11B6	P3V3S3_VREF - @sync_lib.SYNC	11C5 11C8	P3V3S3_VREG3 - @sync_lib.SYNC	11C5	P3V3S3_VREG5 - @sync_lib.SYNC	11C5	PCIE_CLK100M_EXCARD - @sync_lib.SYNC	7C4	PCIE_CLK100M_EXCARD_UP_N - @sync_lib.SYNC	7B4	PCIE_CLK100M_EXCARD_UP_P - @sync_lib.SYNC	7C4	PCIE_CLK100M_MINI_UP_N - @sync_lib.SYNC	7C4	PCIE_CLK100M_MINI_UP_P - @sync_lib.SYNC	7C4	PCIE_WAKE_EXCARD_L - @sync_lib.SYNC	4C3 6C3	PCIE_WAKE_L - @sync_lib.SYNC	4C4 7C6	PCIE_WAKE_MINI_L - @sync_lib.SYNC	4C3 5C6	PCIE_WAKE_L - @sync_lib.SYNC	4C4 7C6	PGND1 - @sync_lib.SYNC	11B6	PGND2 - @sync_lib.SYNC	11B6	PLT_RESET_SWITCH_L - @sync_lib.SYNC	6C3 6C3	PP1V5_S0_EXCARD_SWIT - @sync_lib.SYNC	6C3 6C3	PP3V3_S0_EXCARD_SWIT - @sync_lib.SYNC	6C3 6C3	PP3V3_S3_EXCARD_SWIT - @sync_lib.SYNC	6C3 6C3	PP5V_PWRON_USB_LEFT2 - @sync_lib.SYNC	8D4	PP5V_PWRON_USB_LEFT2_EMI - @sync_lib.SYNC	8B4	PP5V_PWRON_USB_LEFT2 - @sync_lib.SYNC	8B4	PP5V_S0_FET - @sync_lib.SYNC	11A7	PP5V_S3_USB_SWITCH_O - @sync_lib.SYNC	8B5	<table border="1"><tbody><tr><td>UT1 - @sync_lib.SYNC</td><td>8D5</td></tr><tr><td>PP5V_S3_USB_SWITCH_O - @sync_lib.SYNC</td><td>8D5</td></tr><tr><td>UT2 - @sync_lib.SYNC</td><td>10D1 12C4</td></tr><tr><td>PP18V5_DCIN - @sync_lib.SYNC</td><td>10D6</td></tr><tr><td>PP18V5_DCIN_FUSE - @sync_lib.SYNC</td><td>10D5</td></tr><tr><td>PP18V5_DCIN_ONEWIRE - @sync_lib.SYNC</td><td>10D5</td></tr><tr><td>PP18V5_DCIN_UP - @sync_lib.SYNC</td><td>10D7</td></tr><tr><td>SMC_BC_ACOK - @sync_lib.SYNC</td><td>7C6 10B2</td></tr><tr><td>SMC_BC_ACOK_R - @sync_lib.SYNC</td><td>10C1</td></tr><tr><td>SMC_EXCARD_CP - @sync_lib.SYNC</td><td>6A6 7C6</td></tr><tr><td>SMC_EXCARD_PWR_EN - @sync_lib.SYNC</td><td>6C7 7C6</td></tr><tr><td>SYS_ONEWIRE - @sync_lib.SYNC</td><td>7C6 10C1</td></tr><tr><td>SYS_ONEWIRE_BILAT - @sync_lib.SYNC</td><td>10C2</td></tr><tr><td>TONSEL - @sync_lib.SYNC</td><td>11C6</td></tr><tr><td>TP_EXCARD_STBY_L - @sync_lib.SYNC</td><td>6C7</td></tr><tr><td>TP_USB2_MINI - @sync_lib.SYNC</td><td>4A3</td></tr><tr><td>USB2_MINI_N - @sync_lib.SYNC</td><td>4A5 5B2</td></tr><tr><td>TP_USB2_MINIP - @sync_lib.SYNC</td><td>4A3</td></tr><tr><td>USB2_MINI_P - @sync_lib.SYNC</td><td>4A5 5B2</td></tr><tr><td>USB2_MINI_EMI_N - @sync_lib.SYNC</td><td>5B4</td></tr><tr><td>USB2_MINI_EMI_P - @sync_lib.SYNC</td><td>5B4</td></tr><tr><td>USB_LEFT2_EMI_N - @sync_lib.SYNC</td><td>8C4</td></tr><tr><td>USB_LEFT2_EMI_P - @sync_lib.SYNC</td><td>8C4</td></tr><tr><td>USB_LEFT2_GND - @sync_lib.SYNC</td><td>8C3</td></tr><tr><td>USB_LEFT_EMI_N - @sync_lib.SYNC</td><td>8B4</td></tr><tr><td>USB_LEFT_EMI_P - @sync_lib.SYNC</td><td>8B4</td></tr><tr><td>USB_LEFT_GND - @sync_lib.SYNC</td><td>8B3</td></tr></tbody></table>				UT1 - @sync_lib.SYNC	8D5	PP5V_S3_USB_SWITCH_O - @sync_lib.SYNC	8D5	UT2 - @sync_lib.SYNC	10D1 12C4	PP18V5_DCIN - @sync_lib.SYNC	10D6	PP18V5_DCIN_FUSE - @sync_lib.SYNC	10D5	PP18V5_DCIN_ONEWIRE - @sync_lib.SYNC	10D5	PP18V5_DCIN_UP - @sync_lib.SYNC	10D7	SMC_BC_ACOK - @sync_lib.SYNC	7C6 10B2	SMC_BC_ACOK_R - @sync_lib.SYNC	10C1	SMC_EXCARD_CP - @sync_lib.SYNC	6A6 7C6	SMC_EXCARD_PWR_EN - @sync_lib.SYNC	6C7 7C6	SYS_ONEWIRE - @sync_lib.SYNC	7C6 10C1	SYS_ONEWIRE_BILAT - @sync_lib.SYNC	10C2	TONSEL - @sync_lib.SYNC	11C6	TP_EXCARD_STBY_L - @sync_lib.SYNC	6C7	TP_USB2_MINI - @sync_lib.SYNC	4A3	USB2_MINI_N - @sync_lib.SYNC	4A5 5B2	TP_USB2_MINIP - @sync_lib.SYNC	4A3	USB2_MINI_P - @sync_lib.SYNC	4A5 5B2	USB2_MINI_EMI_N - @sync_lib.SYNC	5B4	USB2_MINI_EMI_P - @sync_lib.SYNC	5B4	USB_LEFT2_EMI_N - @sync_lib.SYNC	8C4	USB_LEFT2_EMI_P - @sync_lib.SYNC	8C4	USB_LEFT2_GND - @sync_lib.SYNC	8C3	USB_LEFT_EMI_N - @sync_lib.SYNC	8B4	USB_LEFT_EMI_P - @sync_lib.SYNC	8B4	USB_LEFT_GND - @sync_lib.SYNC	8B3	<p>97</p>			
Base Signal	Synonyms	Location((Zone) dir))																																																																																																																																																																																																																																																																																																																																																																																																																																																																																																																																																																																																						
=EXCARD_CLKREQ_L	=EXCARD_CLKREQ_L - @sync_lib.SYNC	4C5 7C6																																																																																																																																																																																																																																																																																																																																																																																																																																																																																																																																																																																																						
EXCARD_CLKREQ_L	=EXCARD_CLKREQ_L - @sync_lib.SYNC	4C3 6B2																																																																																																																																																																																																																																																																																																																																																																																																																																																																																																																																																																																																						
=EXCARD_OC_L	=EXCARD_OC_L - @sync_lib.SYNC	4C5 7C6																																																																																																																																																																																																																																																																																																																																																																																																																																																																																																																																																																																																						
EXCARD_OC_L	=EXCARD_OC_L - @sync_lib.SYNC	4C4 6C7																																																																																																																																																																																																																																																																																																																																																																																																																																																																																																																																																																																																						
=GND_AUDIO	=GND_AUDIO - @sync_lib.SYNC	4A8																																																																																																																																																																																																																																																																																																																																																																																																																																																																																																																																																																																																						
GND_AUDIO	=GND_AUDIO_CODEC - @sync_lib.SYNC	4A7 11A6																																																																																																																																																																																																																																																																																																																																																																																																																																																																																																																																																																																																						
GND_AUDIO	=GND_AUDIO - @sync_lib.SYNC	4A7																																																																																																																																																																																																																																																																																																																																																																																																																																																																																																																																																																																																						
=GND_AUDIO_AMP	=GND_AUDIO_CODEC - @sync_lib.SYNC	4A7 11A6																																																																																																																																																																																																																																																																																																																																																																																																																																																																																																																																																																																																						
GND_AUDIO_AMP	=GND_AUDIO_AMP - @sync_lib.SYNC	4B8 11A6																																																																																																																																																																																																																																																																																																																																																																																																																																																																																																																																																																																																						
GND_AUDIO_AMP	=GND_AUDIO_AMP - @sync_lib.SYNC	4B7																																																																																																																																																																																																																																																																																																																																																																																																																																																																																																																																																																																																						
=GND_CHASSIS_AUDIO_JACK	=GND_CHASSIS_AUDIO_JACK - @sync_lib.SYNC	4A7																																																																																																																																																																																																																																																																																																																																																																																																																																																																																																																																																																																																						
ACK	=GND_CHASSIS_PCIE_EXCARD_LEFT - @sync_lib.SYNC	4A6 6B1 6D3																																																																																																																																																																																																																																																																																																																																																																																																																																																																																																																																																																																																						
ACK	=GND_CHASSIS_PCIE_EXCARD_RIGHT - @sync_lib.SYNC	4A6 6B2																																																																																																																																																																																																																																																																																																																																																																																																																																																																																																																																																																																																						
ACK	CHASSIS_GND2 - @sync_lib.SYNC	4A8																																																																																																																																																																																																																																																																																																																																																																																																																																																																																																																																																																																																						
ACK	=GND_CHASSIS_PCIE_EXCARD_LEFT - @sync_lib.SYNC	4A6 6B1 6D3																																																																																																																																																																																																																																																																																																																																																																																																																																																																																																																																																																																																						
ACK	=GND_CHASSIS_AUDIO_MIC - @sync_lib.SYNC	4A7																																																																																																																																																																																																																																																																																																																																																																																																																																																																																																																																																																																																						
ACK	=GND_CHASSIS_AUDIO_SPKRCONN - @sync_lib.SYNC	4A6																																																																																																																																																																																																																																																																																																																																																																																																																																																																																																																																																																																																						
ACK	CHASSIS_GND3 - @sync_lib.SYNC	4A8																																																																																																																																																																																																																																																																																																																																																																																																																																																																																																																																																																																																						
ACK	=GND_CHASSIS_DCIN_JACK - @sync_lib.SYNC	4A7 10C8																																																																																																																																																																																																																																																																																																																																																																																																																																																																																																																																																																																																						
ACK	CHASSIS_GND1 - @sync_lib.SYNC	4A8																																																																																																																																																																																																																																																																																																																																																																																																																																																																																																																																																																																																						
ACK	=GND_CHASSIS_LTUSB - @sync_lib.SYNC	4A7 8A2 8C2																																																																																																																																																																																																																																																																																																																																																																																																																																																																																																																																																																																																						
ACK	CHASSIS_GND1 - @sync_lib.SYNC	4A8																																																																																																																																																																																																																																																																																																																																																																																																																																																																																																																																																																																																						
ACK	=GND_CHASSIS_LTUSB - @sync_lib.SYNC	4A7 8A2 8C2																																																																																																																																																																																																																																																																																																																																																																																																																																																																																																																																																																																																						
ACK	=GND_CHASSIS_LIO_FLEX - @sync_lib.SYNC	4A7 7B3																																																																																																																																																																																																																																																																																																																																																																																																																																																																																																																																																																																																						
ACK	=GND_CHASSIS_PCIE_EXCARD_RIGHT - @sync_lib.SYNC	4A6 6B2																																																																																																																																																																																																																																																																																																																																																																																																																																																																																																																																																																																																						
ACK	CHASSIS_GND4 - @sync_lib.SYNC	4A8																																																																																																																																																																																																																																																																																																																																																																																																																																																																																																																																																																																																						
ACK	=GND_CHASSIS_PCIE_EXCARD_RIGHT - @sync_lib.SYNC	4A6 6B2																																																																																																																																																																																																																																																																																																																																																																																																																																																																																																																																																																																																						
ACK	=LIO_P3V3S0_EN_L - @sync_lib.SYNC	4C4 7C6 11A4																																																																																																																																																																																																																																																																																																																																																																																																																																																																																																																																																																																																						
ACK	=LIO_P5V50_EN_L - @sync_lib.SYNC	4C3 11A8																																																																																																																																																																																																																																																																																																																																																																																																																																																																																																																																																																																																						
ACK	PM_SLP_S3_L5V - @sync_lib.SYNC	4C3																																																																																																																																																																																																																																																																																																																																																																																																																																																																																																																																																																																																						
ACK	=LIO_P5V50_EN_L - @sync_lib.SYNC	4C3 11A8																																																																																																																																																																																																																																																																																																																																																																																																																																																																																																																																																																																																						
ACK	=LIO_P3V3S3_EN - @sync_lib.SYNC	4C4 7C6 11C8																																																																																																																																																																																																																																																																																																																																																																																																																																																																																																																																																																																																						
ACK	LIO_P3V3S3_EN - @sync_lib.SYNC	4C3																																																																																																																																																																																																																																																																																																																																																																																																																																																																																																																																																																																																						
ACK	=LT2USB_OC_L - @sync_lib.SYNC	4A3 7C6																																																																																																																																																																																																																																																																																																																																																																																																																																																																																																																																																																																																						
ACK	USB_LEFT2_OC_L - @sync_lib.SYNC	4A5 8B8																																																																																																																																																																																																																																																																																																																																																																																																																																																																																																																																																																																																						
ACK	=LTUSB_OC_L - @sync_lib.SYNC	4B3 7C6																																																																																																																																																																																																																																																																																																																																																																																																																																																																																																																																																																																																						
ACK	USB_LEFT_OC_L - @sync_lib.SYNC	4B5 8B8																																																																																																																																																																																																																																																																																																																																																																																																																																																																																																																																																																																																						
ACK	=MINI_CLKREQ_L - @sync_lib.SYNC	4B5 7C6																																																																																																																																																																																																																																																																																																																																																																																																																																																																																																																																																																																																						
ACK	MINI_CLKREQ_L - @sync_lib.SYNC	4B4 5C6																																																																																																																																																																																																																																																																																																																																																																																																																																																																																																																																																																																																						
ACK	=PCIE_CLK100M_EXCARD_N - @sync_lib.SYNC	4D5 7B1																																																																																																																																																																																																																																																																																																																																																																																																																																																																																																																																																																																																						
ACK	PCIE_CLK100M_EXCARD_N - @sync_lib.SYNC	4D2 6C3																																																																																																																																																																																																																																																																																																																																																																																																																																																																																																																																																																																																						
ACK	=PCIE_CLK100M_EXCARD_P - @sync_lib.SYNC	4D5 7B1																																																																																																																																																																																																																																																																																																																																																																																																																																																																																																																																																																																																						
ACK	PCIE_CLK100M_EXCARD_P - @sync_lib.SYNC	4D2 6C3																																																																																																																																																																																																																																																																																																																																																																																																																																																																																																																																																																																																						
ACK	=PCIE_CLK100M_MINI_N - @sync_lib.SYNC	4B5 7C1																																																																																																																																																																																																																																																																																																																																																																																																																																																																																																																																																																																																						
ACK	PCIE_CLK100M_MINI_N - @sync_lib.SYNC	4B2 5C6																																																																																																																																																																																																																																																																																																																																																																																																																																																																																																																																																																																																						
ACK	=PCIE_CLK100M_MINI_P - @sync_lib.SYNC	4B5 7C1																																																																																																																																																																																																																																																																																																																																																																																																																																																																																																																																																																																																						
ACK	PCIE_CLK100M_MINI_P - @sync_lib.SYNC	4B2 5C6																																																																																																																																																																																																																																																																																																																																																																																																																																																																																																																																																																																																						
ACK	=PCIE_EXCARD_D2R_N - @sync_lib.SYNC	4D5 7B3																																																																																																																																																																																																																																																																																																																																																																																																																																																																																																																																																																																																						
ACK	PCIE_EXCARD_D2R_N - @sync_lib.SYNC	4D2 6C3																																																																																																																																																																																																																																																																																																																																																																																																																																																																																																																																																																																																						
ACK	=PCIE_EXCARD_D2R_P - @sync_lib.SYNC	4D5 7B3																																																																																																																																																																																																																																																																																																																																																																																																																																																																																																																																																																																																						
ACK	PCIE_EXCARD_D2R_P - @sync_lib.SYNC	4D2 6C3																																																																																																																																																																																																																																																																																																																																																																																																																																																																																																																																																																																																						
ACK	=PCIE_EXCARD_R2D_N - @sync_lib.SYNC	4D5 7B3																																																																																																																																																																																																																																																																																																																																																																																																																																																																																																																																																																																																						
ACK	PCIE_EXCARD_R2D_N - @sync_lib.SYNC	4D2 6C3																																																																																																																																																																																																																																																																																																																																																																																																																																																																																																																																																																																																						
ACK	=PCIE_EXCARD_R2D_P - @sync_lib.SYNC	4D5 7B3																																																																																																																																																																																																																																																																																																																																																																																																																																																																																																																																																																																																						
ACK	PCIE_EXCARD_R2D_P - @sync_lib.SYNC	4D2 6C3																																																																																																																																																																																																																																																																																																																																																																																																																																																																																																																																																																																																						
ACK	=PCIE_MINI_D2R_N - @sync_lib.SYNC	4B5 7C3																																																																																																																																																																																																																																																																																																																																																																																																																																																																																																																																																																																																						
ACK	PCIE_MINI_D2R_N - @sync_lib.SYNC	4B2 5C6																																																																																																																																																																																																																																																																																																																																																																																																																																																																																																																																																																																																						
ACK	=PCIE_MINI_D2R_P - @sync_lib.SYNC	4B5 7C3																																																																																																																																																																																																																																																																																																																																																																																																																																																																																																																																																																																																						
ACK	PCIE_MINI_D2R_P - @sync_lib.SYNC	4B2 5C6																																																																																																																																																																																																																																																																																																																																																																																																																																																																																																																																																																																																						
ACK	=PCIE_MINI_R2D_N - @sync_lib.SYNC	4B5 7C3																																																																																																																																																																																																																																																																																																																																																																																																																																																																																																																																																																																																						
ACK	PCIE_MINI_R2D_N - @sync_lib.SYNC	4B2 5C6																																																																																																																																																																																																																																																																																																																																																																																																																																																																																																																																																																																																						
ACK	=PCIE_MINI_R2D_P - @sync_lib.SYNC	4C5 7C2																																																																																																																																																																																																																																																																																																																																																																																																																																																																																																																																																																																																						
ACK	PCIE_MINI_R2D_P - @sync_lib.SYNC	4C2 5B6																																																																																																																																																																																																																																																																																																																																																																																																																																																																																																																																																																																																						
ACK	=PP1V5_S0_EXCARD - @sync_lib.SYNC	4C6 6C7 6C8																																																																																																																																																																																																																																																																																																																																																																																																																																																																																																																																																																																																						
ACK	PP1V5_S0_LIO - @sync_lib.SYNC	4D8 7B3																																																																																																																																																																																																																																																																																																																																																																																																																																																																																																																																																																																																						
ACK	PP1V5_S0_MINI - @sync_lib.SYNC	4D7 5C2																																																																																																																																																																																																																																																																																																																																																																																																																																																																																																																																																																																																						
ACK	PP1V5_S0_LIO - @sync_lib.SYNC	4D7																																																																																																																																																																																																																																																																																																																																																																																																																																																																																																																																																																																																						
ACK	PP1V5_S0_MINI - @sync_lib.SYNC	4D7 5C2																																																																																																																																																																																																																																																																																																																																																																																																																																																																																																																																																																																																						
ACK	PP1V5_S0_LIO - @sync_lib.SYNC	4D8 7B3																																																																																																																																																																																																																																																																																																																																																																																																																																																																																																																																																																																																						
ACK	=PP3V3_S0_AUDIO - @sync_lib.SYNC	4C6																																																																																																																																																																																																																																																																																																																																																																																																																																																																																																																																																																																																						
ACK	PP3V3_S0_EXCARD - @sync_lib.SYNC	4C6 6B4 6C7																																																																																																																																																																																																																																																																																																																																																																																																																																																																																																																																																																																																						
ACK	PP3V3_S0_FET - @sync_lib.SYNC	4C8 11A2																																																																																																																																																																																																																																																																																																																																																																																																																																																																																																																																																																																																						
ACK	PP3V3_S0_MINI - @sync_lib.SYNC	4C6 5D2																																																																																																																																																																																																																																																																																																																																																																																																																																																																																																																																																																																																						
ACK	PP3V3_S0_LIO - @sync_lib.SYNC	4C7																																																																																																																																																																																																																																																																																																																																																																																																																																																																																																																																																																																																						
ACK	PP3V3_S0_MINI - @sync_lib.SYNC	4C6 5D2																																																																																																																																																																																																																																																																																																																																																																																																																																																																																																																																																																																																						
ACK	PP3V3_S0_FET - @sync_lib.SYNC	4C8 11A2																																																																																																																																																																																																																																																																																																																																																																																																																																																																																																																																																																																																						
ACK	PP3V3_S0_EXCARD - @sync_lib.SYNC	4C6 6B4 6C7																																																																																																																																																																																																																																																																																																																																																																																																																																																																																																																																																																																																						
ACK	PP3V3_S3_EXCARD - @sync_lib.SYNC	4C6 6B8 6C7 6C8																																																																																																																																																																																																																																																																																																																																																																																																																																																																																																																																																																																																						
ACK	PP3V3_S3_LFTALS - @sync_lib.SYNC	4C6 9D6																																																																																																																																																																																																																																																																																																																																																																																																																																																																																																																																																																																																						
ACK	PP3V3_S3_LFTALS_TEMP - @sync_lib.SYNC	4C6 9B4																																																																																																																																																																																																																																																																																																																																																																																																																																																																																																																																																																																																						
ACK	PP3V3_S3_REG - @sync_lib.SYNC	4C8 11A4 11B1																																																																																																																																																																																																																																																																																																																																																																																																																																																																																																																																																																																																						
ACK	PP3V3_S3_MINI - @sync_lib.SYNC	4C6 5C2																																																																																																																																																																																																																																																																																																																																																																																																																																																																																																																																																																																																						
ACK	PP3V3_S3_LIO - @sync_lib.SYNC	4C7																																																																																																																																																																																																																																																																																																																																																																																																																																																																																																																																																																																																						
ACK	PP3V3_S3_REG - @sync_lib.SYNC	4C8 11A4 11B1																																																																																																																																																																																																																																																																																																																																																																																																																																																																																																																																																																																																						
ACK	PP3V3_S3_MINI - @sync_lib.SYNC	4C6 5C2																																																																																																																																																																																																																																																																																																																																																																																																																																																																																																																																																																																																						
ACK	PP3V3_S3_LFTALS_TEMP - @sync_lib.SYNC	4C6 9B4																																																																																																																																																																																																																																																																																																																																																																																																																																																																																																																																																																																																						
ACK	PP3V3_S3_LFTALS - @sync_lib.SYNC	4C6 9D6																																																																																																																																																																																																																																																																																																																																																																																																																																																																																																																																																																																																						
ACK	PP5V_S0_AUDIO - @sync_lib.SYNC	4B8																																																																																																																																																																																																																																																																																																																																																																																																																																																																																																																																																																																																						
ACK	PP5V_S0_AUDIO_LIO - @sync_lib.SYNC	4B7																																																																																																																																																																																																																																																																																																																																																																																																																																																																																																																																																																																																						
ACK	PP5V_S0_AUDIO_AMP - @sync_lib.SYNC	4B8																																																																																																																																																																																																																																																																																																																																																																																																																																																																																																																																																																																																						
ACK	PP5V_S0_AUDIO_AMP_LIO - @sync_lib.SYNC	4B6																																																																																																																																																																																																																																																																																																																																																																																																																																																																																																																																																																																																						
ACK	PP5V_S0_AUDIO_AMP_XW - @sync_lib.SYNC	11A6																																																																																																																																																																																																																																																																																																																																																																																																																																																																																																																																																																																																						
ACK	PP5V_S0_AUDIO_XW - @sync_lib.SYNC	11A6																																																																																																																																																																																																																																																																																																																																																																																																																																																																																																																																																																																																						
ACK	PP5V_S3_LIO - @sync_lib.SYNC	4C7 11A8																																																																																																																																																																																																																																																																																																																																																																																																																																																																																																																																																																																																						
ACK	PP5V_S3_REG - @sync_lib.SYNC	4C8 11C1																																																																																																																																																																																																																																																																																																																																																																																																																																																																																																																																																																																																						
ACK	PP5V_S3_LTUSB - @sync_lib.SYNC	4C7 8B8																																																																																																																																																																																																																																																																																																																																																																																																																																																																																																																																																																																																						
ACK	PP5V_S3_LIO - @sync_lib.SYNC	4C7																																																																																																																																																																																																																																																																																																																																																																																																																																																																																																																																																																																																						
=PP5V_S3_REG - @sync_lib.SYNC	4C8 11C1																																																																																																																																																																																																																																																																																																																																																																																																																																																																																																																																																																																																							
=PP5V_S3_LTUSB - @sync_lib.SYNC	4C7 8B8																																																																																																																																																																																																																																																																																																																																																																																																																																																																																																																																																																																																							
=PPBUS_G3H_DCIN_CONN - @sync_lib.SYNC	4D8 12C4																																																																																																																																																																																																																																																																																																																																																																																																																																																																																																																																																																																																							
PPBUS_G3H_DCIN_CONN - @sync_lib.SYNC	4D7																																																																																																																																																																																																																																																																																																																																																																																																																																																																																																																																																																																																							
PPBUS_G3H_DCIN_CONN - @sync_lib.SYNC	4D6 11D8																																																																																																																																																																																																																																																																																																																																																																																																																																																																																																																																																																																																							
PPBUS_G3H_DCIN_CONN - @sync_lib.SYNC	4D7																																																																																																																																																																																																																																																																																																																																																																																																																																																																																																																																																																																																							
PPBUS_G3H_DCIN_CONN - @sync_lib.SYNC	4D6 11D8																																																																																																																																																																																																																																																																																																																																																																																																																																																																																																																																																																																																							
=SMBUS_ALSTEMP_SCL - @sync_lib.SYNC	4A2 9A6																																																																																																																																																																																																																																																																																																																																																																																																																																																																																																																																																																																																							
SMBUS_MINI_SCL - @sync_lib.SYNC	4A2 5B3																																																																																																																																																																																																																																																																																																																																																																																																																																																																																																																																																																																																							
SMBUS_SMC_SCL - @sync_lib.SYNC	4A3 7B3																																																																																																																																																																																																																																																																																																																																																																																																																																																																																																																																																																																																							
SMBUS_MINI_SCL - @sync_lib.SYNC	4A2 5B3																																																																																																																																																																																																																																																																																																																																																																																																																																																																																																																																																																																																							
SMBUS_ALSTEMP_SDA - @sync_lib.SYNC	4A4 9A6																																																																																																																																																																																																																																																																																																																																																																																																																																																																																																																																																																																																							
SMBUS_MINI_SDA - @sync_lib.SYNC	4A4 5B3																																																																																																																																																																																																																																																																																																																																																																																																																																																																																																																																																																																																							
SMBUS_SMC_SDA - @sync_lib.SYNC	4A5 7B3																																																																																																																																																																																																																																																																																																																																																																																																																																																																																																																																																																																																							
SMBUS_MINI_SDA - @sync_lib.SYNC	4A4 5B3																																																																																																																																																																																																																																																																																																																																																																																																																																																																																																																																																																																																							
SMBUS_EXCARD_SCL - @sync_lib.SYNC	4A2 6C3																																																																																																																																																																																																																																																																																																																																																																																																																																																																																																																																																																																																							
SMBUS_SB_SCL - @sync_lib.SYNC	4A3 7B6																																																																																																																																																																																																																																																																																																																																																																																																																																																																																																																																																																																																							
SMBUS_EXCARD_SDA - @sync_lib.SYNC	4A4 6C3																																																																																																																																																																																																																																																																																																																																																																																																																																																																																																																																																																																																							
SMBUS_SB_SDA - @sync_lib.SYNC	4A5 7B6																																																																																																																																																																																																																																																																																																																																																																																																																																																																																																																																																																																																							
SMBUS_EXCARD_N - @sync_lib.SYNC	4D5 7C3																																																																																																																																																																																																																																																																																																																																																																																																																																																																																																																																																																																																							
USB2_EXCARD_N - @sync_lib.SYNC	4D2 6C3																																																																																																																																																																																																																																																																																																																																																																																																																																																																																																																																																																																																							
USB2_EXCARD_P - @sync_lib.SYNC	4D5 7C3																																																																																																																																																																																																																																																																																																																																																																																																																																																																																																																																																																																																							
USB2_EXCARD_P - @sync_lib.SYNC	4D2 6C3																																																																																																																																																																																																																																																																																																																																																																																																																																																																																																																																																																																																							
USB2_LT2_N - @sync_lib.SYNC	4B3 7C3																																																																																																																																																																																																																																																																																																																																																																																																																																																																																																																																																																																																							
USB_LEFT2_N - @sync_lib.SYNC	4B5 8C5																																																																																																																																																																																																																																																																																																																																																																																																																																																																																																																																																																																																							
USB2_LT2_P - @sync_lib.SYNC	4B3 7C3																																																																																																																																																																																																																																																																																																																																																																																																																																																																																																																																																																																																							
USB2_LT_N - @sync_lib.SYNC	4B3 7C3																																																																																																																																																																																																																																																																																																																																																																																																																																																																																																																																																																																																							
USB2_LT_P - @sync_lib.SYNC	4B3 7C3																																																																																																																																																																																																																																																																																																																																																																																																																																																																																																																																																																																																							
AC2_BITCLK - @sync_lib.SYNC	7B6																																																																																																																																																																																																																																																																																																																																																																																																																																																																																																																																																																																																							
AC2_RST_L - @sync_lib.SYNC	7B6																																																																																																																																																																																																																																																																																																																																																																																																																																																																																																																																																																																																							
AC2_SDATAIN<0> - @sync_lib.SYNC	7B6																																																																																																																																																																																																																																																																																																																																																																																																																																																																																																																																																																																																							
AC2_SDATAOUT - @sync_lib.SYNC	7B6																																																																																																																																																																																																																																																																																																																																																																																																																																																																																																																																																																																																							
AC2_SYNC - @sync_lib.SYNC	7B6																																																																																																																																																																																																																																																																																																																																																																																																																																																																																																																																																																																																							
ADAPTER_SENSE - @sync_lib.SYNC	10D6																																																																																																																																																																																																																																																																																																																																																																																																																																																																																																																																																																																																							
ADAPTER_SENSE_UP - @sync_lib.SYNC	10D7																																																																																																																																																																																																																																																																																																																																																																																																																																																																																																																																																																																																							
EC_HOLE1 - @sync_lib.SYNC	6D3																																																																																																																																																																																																																																																																																																																																																																																																																																																																																																																																																																																																							
EC_HOLE2 - @sync_lib.SYNC	6B2																																																																																																																																																																																																																																																																																																																																																																																																																																																																																																																																																																																																							
EXCARD_CLKREQ_CONN - @sync_lib.SYNC	6B3																																																																																																																																																																																																																																																																																																																																																																																																																																																																																																																																																																																																							
EXCARD_CLKREQ_CONN_L - @sync_lib.SYNC	6A4 6C3																																																																																																																																																																																																																																																																																																																																																																																																																																																																																																																																																																																																							
EXCARD_CPPE_L - @sync_lib.SYNC	6A8 6C3 6C3																																																																																																																																																																																																																																																																																																																																																																																																																																																																																																																																																																																																							
EXCARD_CPUSB_L - @sync_lib.SYNC	6A8 6C3 6C3																																																																																																																																																																																																																																																																																																																																																																																																																																																																																																																																																																																																							
EXCARD_RCLKEN - @sync_lib.SYNC	6A8 6C5																																																																																																																																																																																																																																																																																																																																																																																																																																																																																																																																																																																																							
EXCARD_SHDN_L_R - @sync_lib.SYNC	6C5																																																																																																																																																																																																																																																																																																																																																																																																																																																																																																																																																																																																							
GND_5V53_3V53_SGND - @sync_lib.SYNC	11A6																																																																																																																																																																																																																																																																																																																																																																																																																																																																																																																																																																																																							
GND_ADAPTER_UP - @sync_lib.SYNC	10D7																																																																																																																																																																																																																																																																																																																																																																																																																																																																																																																																																																																																							
LEFT_ALS_GAIN_SW - @sync_lib.SYNC	7C6 9C4																																																																																																																																																																																																																																																																																																																																																																																																																																																																																																																																																																																																							
LEFT_ALS_GAIN_SW_R - @sync_lib.SYNC	9C5																																																																																																																																																																																																																																																																																																																																																																																																																																																																																																																																																																																																							
LEFT_ALS_OP_COMP - @sync_lib.SYNC	9C6																																																																																																																																																																																																																																																																																																																																																																																																																																																																																																																																																																																																							
LEFT_ALS_OP_IN - @sync_lib.SYNC	9C5																																																																																																																																																																																																																																																																																																																																																																																																																																																																																																																																																																																																							
LEFT_ALS_OUT - @sync_lib.SYNC	7C6 9C4																																																																																																																																																																																																																																																																																																																																																																																																																																																																																																																																																																																																							
LEFT_ALS_OUT_FB - @sync_lib.SYNC	9C5																																																																																																																																																																																																																																																																																																																																																																																																																																																																																																																																																																																																							
LEFT_GAIN_SETTLING - @sync_lib.SYNC	9C5																																																																																																																																																																																																																																																																																																																																																																																																																																																																																																																																																																																																							
LEFT_PHOTODIODE - @sync_lib.SYNC	9C6																																																																																																																																																																																																																																																																																																																																																																																																																																																																																																																																																																																																							
LIO_P3V3S0_EN_R_L - @sync_lib.SYNC	11A3																																																																																																																																																																																																																																																																																																																																																																																																																																																																																																																																																																																																							
LIO_P5V50_EN_R_L - @sync_lib.SYNC	11A8																																																																																																																																																																																																																																																																																																																																																																																																																																																																																																																																																																																																							
LIO_PLT_RESET_L - @sync_lib.SYNC	4C3 7C6																																																																																																																																																																																																																																																																																																																																																																																																																																																																																																																																																																																																							
PLT_RESET_L - @sync_lib.SYNC	4C4 5C3 6C7																																																																																																																																																																																																																																																																																																																																																																																																																																																																																																																																																																																																							
NC_LED_WLAN_L - @sync_lib.SYNC	5B3																																																																																																																																																																																																																																																																																																																																																																																																																																																																																																																																																																																																							
NC_LED_WLAN_P - @sync_lib.SYNC	5B3																																																																																																																																																																																																																																																																																																																																																																																																																																																																																																																																																																																																							
NC_LED_WWAN_L - @sync_lib.SYNC	5B3																																																																																																																																																																																																																																																																																																																																																																																																																																																																																																																																																																																																							
NC_LIO_P3V3S3_PGOOD - @sync_lib.SYNC	11B7																																																																																																																																																																																																																																																																																																																																																																																																																																																																																																																																																																																																							
NC_LIO_P5V53_PGOOD - @sync_lib.SYNC	11B7																																																																																																																																																																																																																																																																																																																																																																																																																																																																																																																																																																																																							
NC_UIM_CLK - @sync_lib.SYNC	5C3																																																																																																																																																																																																																																																																																																																																																																																																																																																																																																																																																																																																							
NC_UIM_DATA - @sync_lib.SYNC	5C3																																																																																																																																																																																																																																																																																																																																																																																																																																																																																																																																																																																																							
NC_UIM_PWR - @sync_lib.SYNC	5C3																																																																																																																																																																																																																																																																																																																																																																																																																																																																																																																																																																																																							
NC_UIM_RESET - @sync_lib.SYNC	5C3																																																																																																																																																																																																																																																																																																																																																																																																																																																																																																																																																																																																							
NC_UIM_VFP - @sync_lib.SYNC	5C3																																																																																																																																																																																																																																																																																																																																																																																																																																																																																																																																																																																																							
NC_W_DISABLE_L - @sync_lib.SYNC	5C3																																																																																																																																																																																																																																																																																																																																																																																																																																																																																																																																																																																																							
ONWIRE_DCIN_DIV - @sync_lib.SYNC	10C5																																																																																																																																																																																																																																																																																																																																																																																																																																																																																																																																																																																																							
ONWIRE_EN - @sync_lib.SYNC	10C3																																																																																																																																																																																																																																																																																																																																																																																																																																																																																																																																																																																																							
ONWIRE_ESD - @sync_lib.SYNC	10C4																																																																																																																																																																																																																																																																																																																																																																																																																																																																																																																																																																																																							
ONWIRE_OVERVOLT - @sync_lib.SYNC	10C4																																																																																																																																																																																																																																																																																																																																																																																																																																																																																																																																																																																																							
ONWIRE_PWR_EN_L - @sync_lib.SYNC	10C2																																																																																																																																																																																																																																																																																																																																																																																																																																																																																																																																																																																																							
ONWIRE_PWR_EN_L_DIV - @sync_lib.SYNC	10D2																																																																																																																																																																																																																																																																																																																																																																																																																																																																																																																																																																																																							
P3V3S3_BOOT - @sync_lib.SYNC	11B4 11B6																																																																																																																																																																																																																																																																																																																																																																																																																																																																																																																																																																																																							
P3V3S3_LG - @sync_lib.SYNC	11B4																																																																																																																																																																																																																																																																																																																																																																																																																																																																																																																																																																																																							
P3V3S3_PHASE - @sync_lib.SYNC	11B4																																																																																																																																																																																																																																																																																																																																																																																																																																																																																																																																																																																																							
P3V3S3_UG - @sync_lib.SYNC	11B4																																																																																																																																																																																																																																																																																																																																																																																																																																																																																																																																																																																																							
P3V3S3_V02 - @sync_lib.SYNC	11B6																																																																																																																																																																																																																																																																																																																																																																																																																																																																																																																																																																																																							
P3V3S3_BOOT - @sync_lib.SYNC	11C4 11C6																																																																																																																																																																																																																																																																																																																																																																																																																																																																																																																																																																																																							
P3V3S3_CS1 - @sync_lib.SYNC	11C6																																																																																																																																																																																																																																																																																																																																																																																																																																																																																																																																																																																																							
P3V3S3_CS2 - @sync_lib.SYNC	11C6																																																																																																																																																																																																																																																																																																																																																																																																																																																																																																																																																																																																							
P3V3S3_LG - @sync_lib.SYNC	11C4																																																																																																																																																																																																																																																																																																																																																																																																																																																																																																																																																																																																							
P3V3S3_PHASE - @sync_lib.SYNC	11C4																																																																																																																																																																																																																																																																																																																																																																																																																																																																																																																																																																																																							
P3V3S3_UG - @sync_lib.SYNC	11C4																																																																																																																																																																																																																																																																																																																																																																																																																																																																																																																																																																																																							
P3V3S3_V5FILT - @sync_lib.SYNC	11B6 11C5 11C6																																																																																																																																																																																																																																																																																																																																																																																																																																																																																																																																																																																																							
P3V3S3_V01 - @sync_lib.SYNC	11B6																																																																																																																																																																																																																																																																																																																																																																																																																																																																																																																																																																																																							
P3V3S3_VREF - @sync_lib.SYNC	11C5 11C8																																																																																																																																																																																																																																																																																																																																																																																																																																																																																																																																																																																																							
P3V3S3_VREG3 - @sync_lib.SYNC	11C5																																																																																																																																																																																																																																																																																																																																																																																																																																																																																																																																																																																																							
P3V3S3_VREG5 - @sync_lib.SYNC	11C5																																																																																																																																																																																																																																																																																																																																																																																																																																																																																																																																																																																																							
PCIE_CLK100M_EXCARD - @sync_lib.SYNC	7C4																																																																																																																																																																																																																																																																																																																																																																																																																																																																																																																																																																																																							
PCIE_CLK100M_EXCARD_UP_N - @sync_lib.SYNC	7B4																																																																																																																																																																																																																																																																																																																																																																																																																																																																																																																																																																																																							
PCIE_CLK100M_EXCARD_UP_P - @sync_lib.SYNC	7C4																																																																																																																																																																																																																																																																																																																																																																																																																																																																																																																																																																																																							
PCIE_CLK100M_MINI_UP_N - @sync_lib.SYNC	7C4																																																																																																																																																																																																																																																																																																																																																																																																																																																																																																																																																																																																							
PCIE_CLK100M_MINI_UP_P - @sync_lib.SYNC	7C4																																																																																																																																																																																																																																																																																																																																																																																																																																																																																																																																																																																																							
PCIE_WAKE_EXCARD_L - @sync_lib.SYNC	4C3 6C3																																																																																																																																																																																																																																																																																																																																																																																																																																																																																																																																																																																																							
PCIE_WAKE_L - @sync_lib.SYNC	4C4 7C6																																																																																																																																																																																																																																																																																																																																																																																																																																																																																																																																																																																																							
PCIE_WAKE_MINI_L - @sync_lib.SYNC	4C3 5C6																																																																																																																																																																																																																																																																																																																																																																																																																																																																																																																																																																																																							
PCIE_WAKE_L - @sync_lib.SYNC	4C4 7C6																																																																																																																																																																																																																																																																																																																																																																																																																																																																																																																																																																																																							
PGND1 - @sync_lib.SYNC	11B6																																																																																																																																																																																																																																																																																																																																																																																																																																																																																																																																																																																																							
PGND2 - @sync_lib.SYNC	11B6																																																																																																																																																																																																																																																																																																																																																																																																																																																																																																																																																																																																							
PLT_RESET_SWITCH_L - @sync_lib.SYNC	6C3 6C3																																																																																																																																																																																																																																																																																																																																																																																																																																																																																																																																																																																																							
PP1V5_S0_EXCARD_SWIT - @sync_lib.SYNC	6C3 6C3																																																																																																																																																																																																																																																																																																																																																																																																																																																																																																																																																																																																							
PP3V3_S0_EXCARD_SWIT - @sync_lib.SYNC	6C3 6C3																																																																																																																																																																																																																																																																																																																																																																																																																																																																																																																																																																																																							
PP3V3_S3_EXCARD_SWIT - @sync_lib.SYNC	6C3 6C3																																																																																																																																																																																																																																																																																																																																																																																																																																																																																																																																																																																																							
PP5V_PWRON_USB_LEFT2 - @sync_lib.SYNC	8D4																																																																																																																																																																																																																																																																																																																																																																																																																																																																																																																																																																																																							
PP5V_PWRON_USB_LEFT2_EMI - @sync_lib.SYNC	8B4																																																																																																																																																																																																																																																																																																																																																																																																																																																																																																																																																																																																							
PP5V_PWRON_USB_LEFT2 - @sync_lib.SYNC	8B4																																																																																																																																																																																																																																																																																																																																																																																																																																																																																																																																																																																																							
PP5V_S0_FET - @sync_lib.SYNC	11A7																																																																																																																																																																																																																																																																																																																																																																																																																																																																																																																																																																																																							
PP5V_S3_USB_SWITCH_O - @sync_lib.SYNC	8B5																																																																																																																																																																																																																																																																																																																																																																																																																																																																																																																																																																																																							
UT1 - @sync_lib.SYNC	8D5																																																																																																																																																																																																																																																																																																																																																																																																																																																																																																																																																																																																							
PP5V_S3_USB_SWITCH_O - @sync_lib.SYNC	8D5																																																																																																																																																																																																																																																																																																																																																																																																																																																																																																																																																																																																							
UT2 - @sync_lib.SYNC	10D1 12C4																																																																																																																																																																																																																																																																																																																																																																																																																																																																																																																																																																																																							
PP18V5_DCIN - @sync_lib.SYNC	10D6																																																																																																																																																																																																																																																																																																																																																																																																																																																																																																																																																																																																							
PP18V5_DCIN_FUSE - @sync_lib.SYNC	10D5																																																																																																																																																																																																																																																																																																																																																																																																																																																																																																																																																																																																							
PP18V5_DCIN_ONEWIRE - @sync_lib.SYNC	10D5																																																																																																																																																																																																																																																																																																																																																																																																																																																																																																																																																																																																							
PP18V5_DCIN_UP - @sync_lib.SYNC	10D7																																																																																																																																																																																																																																																																																																																																																																																																																																																																																																																																																																																																							
SMC_BC_ACOK - @sync_lib.SYNC	7C6 10B2																																																																																																																																																																																																																																																																																																																																																																																																																																																																																																																																																																																																							
SMC_BC_ACOK_R - @sync_lib.SYNC	10C1																																																																																																																																																																																																																																																																																																																																																																																																																																																																																																																																																																																																							
SMC_EXCARD_CP - @sync_lib.SYNC	6A6 7C6																																																																																																																																																																																																																																																																																																																																																																																																																																																																																																																																																																																																							
SMC_EXCARD_PWR_EN - @sync_lib.SYNC	6C7 7C6																																																																																																																																																																																																																																																																																																																																																																																																																																																																																																																																																																																																							
SYS_ONEWIRE - @sync_lib.SYNC	7C6 10C1																																																																																																																																																																																																																																																																																																																																																																																																																																																																																																																																																																																																							
SYS_ONEWIRE_BILAT - @sync_lib.SYNC	10C2																																																																																																																																																																																																																																																																																																																																																																																																																																																																																																																																																																																																							
TONSEL - @sync_lib.SYNC	11C6																																																																																																																																																																																																																																																																																																																																																																																																																																																																																																																																																																																																							
TP_EXCARD_STBY_L - @sync_lib.SYNC	6C7																																																																																																																																																																																																																																																																																																																																																																																																																																																																																																																																																																																																							
TP_USB2_MINI - @sync_lib.SYNC	4A3																																																																																																																																																																																																																																																																																																																																																																																																																																																																																																																																																																																																							
USB2_MINI_N - @sync_lib.SYNC	4A5 5B2																																																																																																																																																																																																																																																																																																																																																																																																																																																																																																																																																																																																							
TP_USB2_MINIP - @sync_lib.SYNC	4A3																																																																																																																																																																																																																																																																																																																																																																																																																																																																																																																																																																																																							
USB2_MINI_P - @sync_lib.SYNC	4A5 5B2																																																																																																																																																																																																																																																																																																																																																																																																																																																																																																																																																																																																							
USB2_MINI_EMI_N - @sync_lib.SYNC	5B4																																																																																																																																																																																																																																																																																																																																																																																																																																																																																																																																																																																																							
USB2_MINI_EMI_P - @sync_lib.SYNC	5B4																																																																																																																																																																																																																																																																																																																																																																																																																																																																																																																																																																																																							
USB_LEFT2_EMI_N - @sync_lib.SYNC	8C4																																																																																																																																																																																																																																																																																																																																																																																																																																																																																																																																																																																																							
USB_LEFT2_EMI_P - @sync_lib.SYNC	8C4																																																																																																																																																																																																																																																																																																																																																																																																																																																																																																																																																																																																							
USB_LEFT2_GND - @sync_lib.SYNC	8C3																																																																																																																																																																																																																																																																																																																																																																																																																																																																																																																																																																																																							
USB_LEFT_EMI_N - @sync_lib.SYNC	8B4																																																																																																																																																																																																																																																																																																																																																																																																																																																																																																																																																																																																							
USB_LEFT_EMI_P - @sync_lib.SYNC	8B4																																																																																																																																																																																																																																																																																																																																																																																																																																																																																																																																																																																																							
USB_LEFT_GND - @sync_lib.SYNC	8B3																																																																																																																																																																																																																																																																																																																																																																																																																																																																																																																																																																																																							

	8	7	6	5	4	3	2	1																																																																																																																																	
D	Title: Cref Part Report Design: sync Date: Nov 17 19:00:01 2006		<table border="1"> <tr><td>R6901</td><td>RES_402</td><td>sync[10D2]</td></tr> <tr><td>R6902</td><td>RES_402</td><td>sync[10D5]</td></tr> <tr><td>R6904</td><td>RES_402</td><td>sync[10C6]</td></tr> <tr><td>R6905</td><td>RES_402</td><td>sync[10D3]</td></tr> <tr><td>R6909</td><td>RES_402</td><td>sync[10D1]</td></tr> <tr><td>R6910</td><td>RES_402</td><td>sync[10D1]</td></tr> <tr><td>R6911</td><td>RES_402</td><td>sync[10C2]</td></tr> <tr><td>R6990</td><td>RES_402</td><td>sync[10C5]</td></tr> <tr><td>R6991</td><td>RES_402</td><td>sync[10C4]</td></tr> <tr><td>R6992</td><td>RES_402</td><td>sync[10B1]</td></tr> <tr><td>R7610</td><td>RES_402</td><td>sync[11A8]</td></tr> <tr><td>R7620</td><td>RES_402</td><td>sync[11C5]</td></tr> <tr><td>R7621</td><td>RES_402</td><td>sync[11C6]</td></tr> <tr><td>R7622</td><td>RES_402</td><td>sync[11C7]</td></tr> <tr><td>R7625</td><td>RES_402</td><td>sync[11C6]</td></tr> <tr><td>R7660</td><td>RES_402</td><td>sync[11A4]</td></tr> <tr><td>SL0800</td><td>SLOT_TH</td><td>sync[4A8]</td></tr> <tr><td>U3500</td><td>PWR_CNTRL_TPS2231_QF</td><td>sync[6C5]</td></tr> <tr><td></td><td>N</td><td></td></tr> <tr><td>U3551</td><td>MC74VHC1G00_SC70-5</td><td>sync[6A6]</td></tr> <tr><td>U3560</td><td>MC74VHC1G00_SC70-5</td><td>sync[6B2]</td></tr> <tr><td>U4600</td><td>SWI_TPS2042B_MSOP</td><td>sync[8B6]</td></tr> <tr><td>U5801</td><td>OPAMP_MAX4236EUTT_SO</td><td>sync[9C5]</td></tr> <tr><td></td><td>T23-6-LF</td><td></td></tr> <tr><td>U5802</td><td>TMP106_WCSP-6</td><td>sync[9B5]</td></tr> <tr><td>U6990</td><td>COMPARTOR_LM397_SOT</td><td>sync[10C4]</td></tr> <tr><td></td><td>23-5</td><td></td></tr> <tr><td>U7600</td><td>TPS51120_ILP</td><td>sync[11C6]</td></tr> <tr><td>XW7600</td><td>SHORT_SM</td><td>sync[11A4]</td></tr> <tr><td>XW7601</td><td>SHORT_SM</td><td>sync[11A7]</td></tr> <tr><td>XW7602</td><td>SHORT_SM</td><td>sync[11A7]</td></tr> <tr><td>XW7603</td><td>SHORT_SM</td><td>sync[11A7]</td></tr> <tr><td>XW7604</td><td>SHORT_SM</td><td>sync[11A7]</td></tr> <tr><td>XW7605</td><td>SHORT_SM</td><td>sync[11A7]</td></tr> <tr><td>XW7606</td><td>SHORT_SM</td><td>sync[11A7]</td></tr> <tr><td>XW7607</td><td>SHORT_SM</td><td>sync[11B6]</td></tr> <tr><td>XW7608</td><td>SHORT_SM</td><td>sync[11B6]</td></tr> <tr><td>XW7609</td><td>SHORT_SM</td><td>sync[11A2]</td></tr> <tr><td>XW7610</td><td>SHORT_SM</td><td>sync[11A2]</td></tr> <tr><td>ZH0801</td><td>MTGSOLE</td><td>sync[4A8]</td></tr> <tr><td>ZH0802</td><td>MTGSOLE</td><td>sync[4A8]</td></tr> <tr><td>ZH0803</td><td>MTGSOLE</td><td>sync[4A8]</td></tr> <tr><td>ZH0804</td><td>MTGSOLE</td><td>sync[4A8]</td></tr> </table>						R6901	RES_402	sync[10D2]	R6902	RES_402	sync[10D5]	R6904	RES_402	sync[10C6]	R6905	RES_402	sync[10D3]	R6909	RES_402	sync[10D1]	R6910	RES_402	sync[10D1]	R6911	RES_402	sync[10C2]	R6990	RES_402	sync[10C5]	R6991	RES_402	sync[10C4]	R6992	RES_402	sync[10B1]	R7610	RES_402	sync[11A8]	R7620	RES_402	sync[11C5]	R7621	RES_402	sync[11C6]	R7622	RES_402	sync[11C7]	R7625	RES_402	sync[11C6]	R7660	RES_402	sync[11A4]	SL0800	SLOT_TH	sync[4A8]	U3500	PWR_CNTRL_TPS2231_QF	sync[6C5]		N		U3551	MC74VHC1G00_SC70-5	sync[6A6]	U3560	MC74VHC1G00_SC70-5	sync[6B2]	U4600	SWI_TPS2042B_MSOP	sync[8B6]	U5801	OPAMP_MAX4236EUTT_SO	sync[9C5]		T23-6-LF		U5802	TMP106_WCSP-6	sync[9B5]	U6990	COMPARTOR_LM397_SOT	sync[10C4]		23-5		U7600	TPS51120_ILP	sync[11C6]	XW7600	SHORT_SM	sync[11A4]	XW7601	SHORT_SM	sync[11A7]	XW7602	SHORT_SM	sync[11A7]	XW7603	SHORT_SM	sync[11A7]	XW7604	SHORT_SM	sync[11A7]	XW7605	SHORT_SM	sync[11A7]	XW7606	SHORT_SM	sync[11A7]	XW7607	SHORT_SM	sync[11B6]	XW7608	SHORT_SM	sync[11B6]	XW7609	SHORT_SM	sync[11A2]	XW7610	SHORT_SM	sync[11A2]	ZH0801	MTGSOLE	sync[4A8]	ZH0802	MTGSOLE	sync[4A8]	ZH0803	MTGSOLE	sync[4A8]	ZH0804	MTGSOLE	sync[4A8]
	R6901	RES_402	sync[10D2]																																																																																																																																						
R6902	RES_402	sync[10D5]																																																																																																																																							
R6904	RES_402	sync[10C6]																																																																																																																																							
R6905	RES_402	sync[10D3]																																																																																																																																							
R6909	RES_402	sync[10D1]																																																																																																																																							
R6910	RES_402	sync[10D1]																																																																																																																																							
R6911	RES_402	sync[10C2]																																																																																																																																							
R6990	RES_402	sync[10C5]																																																																																																																																							
R6991	RES_402	sync[10C4]																																																																																																																																							
R6992	RES_402	sync[10B1]																																																																																																																																							
R7610	RES_402	sync[11A8]																																																																																																																																							
R7620	RES_402	sync[11C5]																																																																																																																																							
R7621	RES_402	sync[11C6]																																																																																																																																							
R7622	RES_402	sync[11C7]																																																																																																																																							
R7625	RES_402	sync[11C6]																																																																																																																																							
R7660	RES_402	sync[11A4]																																																																																																																																							
SL0800	SLOT_TH	sync[4A8]																																																																																																																																							
U3500	PWR_CNTRL_TPS2231_QF	sync[6C5]																																																																																																																																							
	N																																																																																																																																								
U3551	MC74VHC1G00_SC70-5	sync[6A6]																																																																																																																																							
U3560	MC74VHC1G00_SC70-5	sync[6B2]																																																																																																																																							
U4600	SWI_TPS2042B_MSOP	sync[8B6]																																																																																																																																							
U5801	OPAMP_MAX4236EUTT_SO	sync[9C5]																																																																																																																																							
	T23-6-LF																																																																																																																																								
U5802	TMP106_WCSP-6	sync[9B5]																																																																																																																																							
U6990	COMPARTOR_LM397_SOT	sync[10C4]																																																																																																																																							
	23-5																																																																																																																																								
U7600	TPS51120_ILP	sync[11C6]																																																																																																																																							
XW7600	SHORT_SM	sync[11A4]																																																																																																																																							
XW7601	SHORT_SM	sync[11A7]																																																																																																																																							
XW7602	SHORT_SM	sync[11A7]																																																																																																																																							
XW7603	SHORT_SM	sync[11A7]																																																																																																																																							
XW7604	SHORT_SM	sync[11A7]																																																																																																																																							
XW7605	SHORT_SM	sync[11A7]																																																																																																																																							
XW7606	SHORT_SM	sync[11A7]																																																																																																																																							
XW7607	SHORT_SM	sync[11B6]																																																																																																																																							
XW7608	SHORT_SM	sync[11B6]																																																																																																																																							
XW7609	SHORT_SM	sync[11A2]																																																																																																																																							
XW7610	SHORT_SM	sync[11A2]																																																																																																																																							
ZH0801	MTGSOLE	sync[4A8]																																																																																																																																							
ZH0802	MTGSOLE	sync[4A8]																																																																																																																																							
ZH0803	MTGSOLE	sync[4A8]																																																																																																																																							
ZH0804	MTGSOLE	sync[4A8]																																																																																																																																							
C	C3400 CAP_402 sync[5C3] C3401 CAP_603 sync[5C3] C3410 CAP_402 sync[5C3] C3411 CAP_603 sync[5C3] C3420 CAP_402 sync[5C3] C3421 CAP_603 sync[5C3] C3500 CAP_402 sync[6C4] C3501 CAP_402 sync[6C4] C3502 CAP_402 sync[6C4] C3503 CAP_603 sync[6C4] C3504 CAP_603 sync[6C4] C3505 CAP_603 sync[6C4] C3530 CAP_402 sync[6C8] C3531 CAP_603 sync[6C7] C3534 CAP_402 sync[6C8] C3535 CAP_603 sync[6C7] C3550 CAP_402 sync[6A7] C3560 CAP_402 sync[6A3] C4600 CAP_603 sync[8B7] C4601 CAP_402 sync[8B7] C4602 CAP_603 sync[8B6] C4603 CAP_P_CASE-C2-SM sync[8B5] C4612 CAP_603 sync[8C6] C4613 CAP_P_CASE-C2-SM sync[8C5] C4650 CAP_603 sync[8B3] C4651 CAP_603 sync[8A3] C4660 CAP_603 sync[8D3] C4661 CAP_603 sync[8C3] C5801 CAP_402 sync[9C6] C5802 CAP_402 sync[9C5] C5803 CAP_402 sync[9D5] C5804 CAP_402 sync[9B5] C5805 CAP_402 sync[9A4] C6900 CAP_805 sync[10D7] C6901 CAP_805 sync[10D7] C6903 CAP_402 sync[10D7] C6904 CAP_603 sync[10D6] C6905 CAP_603 sync[10D4] C6906 CAP_402 sync[10C2] C6907 CAP_402 sync[10B1] C7600 CAP_603 sync[11D2] C7601 CAP_805-2 sync[11C2] C7602 CAP_P_CASE-C2-SM sync[11C1] C7603 CAP_402 sync[11C3] C7610 CAP_402 sync[11A7] C7620 CAP_603 sync[11C6] C7621 CAP_402 sync[11C7] C7622 CAP_603 sync[11B5] C7623 CAP_603 sync[11B5] C7624 CAP_402 sync[11B5] C7625 CAP_P_CASE-D2-LF sync[11D4] C7650 CAP_603 sync[11B2] C7651 CAP_603 sync[11B2] C7652 CAP_P_CASE-C2-SM sync[11B1] C7653 CAP_402 sync[11B3] C7660 CAP_402 sync[11A3] D4600 DIODE_SCHOT_3P_A_SC-75 sync[8A3] D4610 DIODE_SCHOT_3P_A_SC-75 sync[8C4] D6900 DIODE_SCHOT_3P_A_SC-75 sync[10C7] F6900 FUSE_1206 sync[10D5] FL3600 FILTER_4P_1210-4SM1 sync[7C3] FL3601 FILTER_4P_1210-4SM1 sync[7B3] J3400 CON_F52RT_D2MT_SM_F-ST-SM sync[5C5] J3500 CON_F26RT_S2MT_SM_M5_9_F-RT-SM sync[6D2] J3600 CON_F80ST_D4MT_SM_F-ST-SM sync[7C4] J4600 CON_F4RT_USB_S2MT_TH_F-RT-TH-USB-LFT sync[8B2] J4610 CON_F4RT_USB_S2MT_TH_F-RT-TH-USB-LFT sync[8C2] J6900 CON_F5RT_S2MT_TH3_F-RT-TH-MG3 sync[10D8] J9615 CON_M8RT_S_SM_M-RT-SM sync[12C5] L3400 FILTER_4P_1210-4SM1 sync[5B2] L4600 FILTER_4P_1210-4SM1 sync[8B4] L4601 IND_0603 sync[8B4] L4610 FILTER_4P_1210-4SM1 sync[8C4] L4611 IND_0603 sync[8D4] L4650 IND_0603 sync[8A4] L4660 IND_0603 sync[8C4] L6900 FILTER_4P_SM sync[10D6] L6901 IND_SM-1 sync[10D6] L7600 IND_IHLP sync[11C2] L7650 IND_IHLP sync[11B2] PDS801 PHOTODIODE_2P_TH-WTH-SPCR sync[9C6] Q3560 TRA_2N7002_SOT23-LF sync[6B3] Q5801 TRA_2N7002_SOT23-LF sync[9C5] Q6900 TRA_2N7002DW_SOT-363 sync[10C1 10C3] Q6901 TRA_2N7002DW_SOT-363 sync[10C1 10C2] Q6909 TRA_TP610_SOT23-3 sync[10D2] Q7600 TRA_FDM6296_MICROFET sync[11C3] Q7601 TRA_FDM6296_MICROFET sync[11C3] Q7610 TRA_IRF7707_TSSOP sync[11A7] Q7650 TRA_S17212DN_PWRPK-1 212-8 sync[11B3 11B3] Q7660 TRA_IRF7707_TSSOP sync[11A3] R3500 RES_402 sync[6C6] R3560 RES_402 sync[6B3] R3561 RES_402 sync[6B3] R3570 RES_402 sync[6B2] R3571 RES_402 sync[6D3] R3600 RES_402 sync[7B4] R5801 RES_402 sync[9C6] R5802 RES_402 sync[9C6] R5803 RES_402 sync[9C5] R5804 RES_402 sync[9C5] R5805 RES_402 sync[9C5] R5806 RES_402 sync[9C4] R5807 RES_402 sync[9C4] R6900 RES_402 sync[10C2]																																																																																																																																								
B																																																																																																																																									
A																																																																																																																																									
	8	7	6	5	4	3	2	1																																																																																																																																	

8 7 6 5 4 3 2 1

CHANGE LIST

11/27/06:

FIRST M76 LIMA SCHEMATIC CHECK-IN
FUTURE UPDATES LOGGED IN PERFORCE

D

D

C

C

B

B

A

A

8 7 6 5 4 3 2 1


HISTORY: NON-AUDIO

SYNC_MASTER=(MASTER) SYNC_DATE=(MASTER)

NOTICE OF PROPRIETARY PROPERTY

THE INFORMATION CONTAINED HEREIN IS THE PROPRIETARY PROPERTY OF APPLE COMPUTER, INC. THE POSSESSOR AGREES TO THE FOLLOWING

I TO MAINTAIN THE DOCUMENT IN CONFIDENCE
 II NOT TO REPRODUCE OR COPY IT
 III NOT TO REVEAL OR PUBLISH IN WHOLE OR PART

 APPLE COMPUTER INC.	SIZE	DRAWING NUMBER	REV.
	D	051-7268	A.0.0
SCALE	NONE	SHT	21 OF 24

CHANGE LIST

MAY 03 2006:FIRST RELEASE
MAY 04 2006:REMOVED U7350
MAY 10 2006:CONNECT XW7200.1 TO GND AUDIO_PWR INSTEAD OF 5V. REPLACED C7301/02/04/52/53/55 WITH ZAP DIODES
MAY 25 2006:REPLACED R6801, R7000, R7200 WITH 155S0138. CHANGED C6803 TO 22UF ROHS COMPLIANT CAP
MAY 31 2006:CHANGE U6800 TO 353S1458, DC SCREENED VERSION. CHANGED NETNAME "=GND_AUDIO_PWR" TO "=GND_AUDIO_AMP"
JUNE 1 2006:CHANGED NETNAME "=PP5V_S0_AUDIO_PWR" TO "=PP5V_S0_AUDIO_AMP"
JUNE 1 2006:ADDED NETNAMES TO NC PINS ON U6800. ADDED "NO_TEST=TRUE" ATTRIBUTES TO NC NETS.
JUNE 28 2006:ADDED CRITICAL TO U6800. REMOVE "?" FROM BOMOPTION TABLE

NOTICE OF PROPRIETARY PROPERTY
THE INFORMATION CONTAINED HEREIN IS THE PROPRIETARY PROPERTY OF APPLE COMPUTER, INC. THE POSSESSOR AGREES TO THE FOLLOWING
I TO MAINTAIN THE DOCUMENT IN CONFIDENCE
II NOT TO REPRODUCE OR COPY IT
III NOT TO REVEAL OR PUBLISH IN WHOLE OR PART

APPLE COMPUTER INC.	SIZE	D	DRAWING NUMBER	051-7268	REV.	A.0.0
	SCALE	NONE	SHT	22	OF	24

	8	7	6	5	4	3	2	1		
D	Title: Cref Part Report Design: lio Date: May 7 16:46:17 2007		C7624 CAP_402 lio[17B5] C7625 CAP_P_CASE-D2-LF lio[17D4] C7650 CAP_603 lio[17B2] C7651 CAP_603 lio[17B2] C7652 CAP_P_CASE-C2-SM lio[17B1] C7653 CAP_402 lio[17B3] C7660 CAP_402 lio[17A3] D4600 DIODE_SCHOT_3P_A_SC- lio[8A3] 75 D4610 DIODE_SCHOT_3P_A_SC- lio[8C4] 75 D6900 RCLAMP2402B_SC-75 lio[16C7] D26700 SUPPR_TRANSIENT1_402 lio[14C5] D26701 SUPPR_TRANSIENT1_402 lio[14C6] D26702 SUPPR_TRANSIENT1_402 lio[14C5] D26703 SUPPR_TRANSIENT1_402 lio[14C5] D26750 SUPPR_TRANSIENT1_402 lio[14A5] D26751 SUPPR_TRANSIENT1_402 lio[14A6] D26752 SUPPR_TRANSIENT1_402 lio[14A5] D26753 SUPPR_TRANSIENT1_402 lio[14A5] F6900 FUSE_1206 lio[16D5] FL3600 FILTER_4P_1210-4SM1 lio[7C3] FL3601 FILTER_4P_1210-4SM1 lio[7B3] J3400 CON_F52RT_D2MT_SM_F- lio[5C5] ST-SM J3500 CON_F26RT_S3MT_SM_M7 lio[6D2] 6_F-RT-SM J3600 CON_M80ST_D4MT_SM_M- lio[7C4] ST-SM J4600 CON_F4RT_USB_S2MT_TH lio[8B2] _F-RT-TH-USB-LFT J4610 CON_F4RT_USB_S2MT_TH lio[8C2] _F-RT-TH-USB-LFT J6700 CON_F8RT_SPDIFFRAN_T lio[14C8] H2_F-RT-TH J6750 CON_F8RT_SPDIFRCVR_T lio[14B8] H2_F-RT-TH J6780 CON_M3ST_S_TH_M-ST-T lio[14D1] H J6781 CON_M5ST_S_TH_M-ST-T lio[14C1] H J6782 CON_M5ST_S_TH_M-ST-T lio[14C1] H J6900 CON_F5RT_S2MT_TH3_F- lio[16D8] RT-TH-MG3 J9615 CON_M8RT_S_SM_M-RT-S lio[18C5] M L3400 FILTER_4P_1210-4SM1 lio[5B2] L4600 FILTER_4P_1210-4SM1 lio[8B4] L4601 IND_0603 lio[8B4] L4610 FILTER_4P_1210-4SM1 lio[8C4] L4611 IND_0603 lio[8D4] L6200 IND_0402 lio[10A6] L6201 IND_0402 lio[10D7] L6202 IND_0402 lio[10D4] L6300 IND_0402 lio[11C6] L6500 IND_0402 lio[11D6] L6501 IND_0402 lio[12C6] L6601 IND_0402 lio[13C7] L6610 IND_0402 lio[13D7] L6620 IND_0402 lio[13C7] L6630 IND_0402 lio[13B7] L6640 IND_0402 lio[13A7] L6700 FILTER_2P_0603 lio[14D4] L6701 IND_0402 lio[14C4] L6702 IND_0402 lio[14C4] L6703 IND_0402 lio[14C4] L6750 IND_0402 lio[14B4] L6751 IND_0402 lio[14B4] L6752 IND_0402 lio[14A4] L6753 IND_0402 lio[14A4] L6754 IND_0402 lio[14A4] L6800 IND_0402 lio[15B2] L6900 FILTER_4P_SM lio[16D6] L6901 IND_SM-1 lio[16D6] L7600 IND_HELP lio[17C2] L7650 IND_HELP lio[17B2] PD5801 PHOTODIODE_2P_TH-WTH lio[9C6] -SPCR Q3450 TRA_SINGLE_MOSFET_PC lio[5D2] HN_SOT-23 Q5801 TRA_2N7002_SOT23-LF lio[9C5] Q6800 TRA_DUAL_SSM6N15FE_S lio[15B6 15C6] OTS63 Q6801 TRA_DUAL_SSM6N15FE_S lio[15C5 15C5] OTS63 Q6802 TRA_SSM3K15FV_SOD-VE lio[15A6] SM Q6803 TRA_DUAL_SSM6N15FE_S lio[15A5 15A5] OTS63 Q6900 TRA_2N7002DW_SOT-363 lio[16C1 16C3] Q6901 TRA_2N7002DW_SOT-363 lio[16C1 16C2] Q6909 TRA_TP0610_SOT23-3 lio[16D2] Q7600 TRA_FDM6296_MICROFET lio[17C3] 3X3 Q7601 TRA_FDM6296_MICROFET lio[17C3] 3X3 Q7610 TRA_IRF7707_TSSOP lio[17A7] Q7650 TRA_FDM6296_MICROFET lio[17B3] 3X3 Q7651 TRA_FDM6296_MICROFET lio[17B3] 3X3 Q7660 TRA_IRF7707_TSSOP lio[17A3] R3450 RES_402 lio[5C2] R3451 RES_402 lio[5C2] R3500 RES_402 lio[6C6] R3561 RES_402 lio[6B3] R5801 RES_402 lio[9C6] R5802 RES_402 lio[9C6] R5803 RES_402 lio[9C5] R5804 RES_402 lio[9C5] R5805 RES_402 lio[9C5] R5806 RES_402 lio[9C4] R5807 RES_402 lio[9C4] R6200 RES_402 lio[10A7] R6201 RES_402 lio[10B6] R6202 RES_402 lio[10A6] R6203 RES_402 lio[10C3] R6204 RES_402 lio[10C7] R6205 RES_402 lio[10B6] R6206 RES_402 lio[10B4] R6207 RES_402 lio[10B3] R6220 RES_402 lio[10A6] R6221 RES_402 lio[10A4] R6222 RES_402 lio[10A4] R6223 RES_402 lio[10A4] R6250 RES_402 lio[10B1] R6251 RES_402 lio[10B1] R6300 RES_402 lio[11B3] R6301 RES_402 lio[11B6] R6302 RES_402 lio[11C5] R6303 RES_402 lio[11B5] R6310 RES_402 lio[11C4] R6311 RES_402 lio[11C4] R6312 RES_402 lio[11C4] R6313 RES_402 lio[11C4] R6320 RES_402 lio[11B4] R6321 RES_402 lio[11B4] R6322 RES_402 lio[11B4] R6323 RES_402 lio[11B4] R6500 RES_402 lio[12C5] R6510 RES_402 lio[12B5] R6511 RES_402 lio[12B4] R6512 RES_402 lio[12B4] R6513 RES_603 lio[12D3] R6514 RES_402 lio[12C3] R6520 RES_402 lio[12A5] R6521 RES_402 lio[12A4] R6522 RES_402 lio[12A4] R6523 RES_603 lio[12C2] R6524 RES_402 lio[12C3] R6600 RES_402 lio[13D7] R6601 RES_402 lio[13C7] R6605 RES_402 lio[13C4] R6606 RES_402 lio[13B4] R6607 RES_402 lio[13B4] R6610 RES_402 lio[13D2] R6611 RES_402 lio[13D2] R6620 RES_402 lio[13C2] R6621 RES_402 lio[13C2] R6630 RES_402 lio[13B2] R6631 RES_402 lio[13B2] R6640 RES_402 lio[13B2] R6641 RES_402 lio[13B2] R6700 RES_603 lio[14D6] R6701 RES_402 lio[14C6] R6702 RES_402 lio[14C6] R6703 RES_402 lio[14C6] R6704 RES_402 lio[14C6] R6710 RES_402 lio[14C4] R6750 RES_402 lio[14B6] R6751 RES_402 lio[14B6] R6752 RES_402 lio[14B6] R6753 RES_402 lio[14A6] R6754 RES_402 lio[14A6] R6755 RES_402 lio[14B7] R6780 RES_402 lio[14C2] R6781 RES_402 lio[14C1] R6790 RES_402 lio[14A2] R6801 RES_402 lio[15C7] R6802 RES_402 lio[15C7] R6803 RES_402 lio[15B7] R6805 RES_402 lio[15C5] R6806 RES_402 lio[15C5] R6811 RES_402 lio[15A7] R6812 RES_402 lio[15A7] R6813 RES_402 lio[15A6] R6814 RES_402 lio[15A5] R6815 RES_402 lio[15A5] R6850 RES_402 lio[15D3] R6852 RES_402 lio[15C3] R6853 RES_402 lio[15C3] R6854 RES_402 lio[15C3] R6855 RES_402 lio[15D3] R6861 RES_402 lio[15B7] R6900 RES_402 lio[16C2] R6901 RES_402 lio[16D2] R6902 RES_402 lio[16D5] R6904 RES_402 lio[16C6] R6905 RES_402 lio[16D3] R6909 RES_402 lio[16D1] R6910 RES_402 lio[16D1] R6911 RES_402 lio[16C2] R6990 RES_402 lio[16C5] R6991 RES_402 lio[16C4] R6992 RES_402 lio[16B1] R7610 RES_402 lio[17A8] R7620 RES_402 lio[17C5] R7621 RES_402 lio[17C6] R7622 RES_402 lio[17C7] R7625 RES_402 lio[17C6] R7660 RES_402 lio[17A4] SLO800 SLOT_TH lio[4A8] U3500 PWR_CNTRL_TPS2231_QF lio[6C5] N U3551 MC74VHC1G00_SC70-5 lio[6A6] U3560 MC74VHC1G00_SC70-5 lio[6B2] U3561 SN74LVC1G04_BGA lio[6A3] U4600 SWI_TPS2042B_MSOP lio[8B6] U5801 OPAMP_MAX4236EUITT_SO lio[9C5] T23-6-LF U5802 TMP106_WCSP-6 lio[9B5] U6200 AUDIO_ALC885B2_LQFP lio[10C5] U6201 LREG_MAX1819_UCSP lio[10A5] U6300 OPAMP_MAX4253_UMAX lio[11B4 11C4] U6500 MAX9724A_TQFN lio[12D4] U6610 MAX9705_TDFN1 lio[13D5] U6620 MAX9705_TDFN1 lio[13C5] U6630 MAX9705_TDFN1 lio[13B5] U6640 MAX9705_TDFN1 lio[13A5] U6990 COMPARATOR_LM397_SOT lio[16C4] 23-5 U7600 TPSS1120_LLP lio[17C6] XW4600 SHORT_SM lio[8A4] XW4601 SHORT_SM lio[8A4] XW4610 SHORT_SM lio[8C4] XW4611 SHORT_SM lio[8C4] XW6500 SHORT_SM lio[12C6] XW6501 SHORT_SM lio[12C5] XW6710 SHORT_SM lio[14B2] XW6711 SHORT_SM lio[14B2] XW6712 SHORT_SM lio[14B2] XW6800 SHORT_SM lio[15C3] XW7600 SHORT_SM lio[17A4] XW7601 SHORT_SM lio[17A7] XW7602 SHORT_SM lio[17A7] XW7603 SHORT_LAYER_2_SHORT_ lio[17A7] L2_SM XW7604 SHORT_LAYER_9_SHORT- lio[17A7]	L9-SM XW7605 SHORT_LAYER_2_SHORT_ lio[17A7] L2_SM XW7606 SHORT_LAYER_9_SHORT- lio[17A7] L2_SM L9-SM XW7607 SHORT_LAYER_2_SHORT_ lio[17A7] L2_SM XW7608 SHORT_LAYER_2_SHORT_ lio[17A7] L2_SM XW7609 SHORT_LAYER_2_SHORT_ lio[17A7] L2_SM XW7610 SHORT_LAYER_2_SHORT_ lio[17A7] L2_SM XW7611 SHORT_SM lio[17A5] XW7612 SHORT_SM lio[17A5] ZH0801 MTHOLE lio[4A8] ZH0802 MTHOLE lio[4A8] ZH0803 MTHOLE lio[4A8] ZH0804 MTHOLE lio[4A8]						
	C	C3400 CAP_402 lio[5C3] C3401 CAP_603 lio[5C3] C3410 CAP_603 lio[5C3] C3411 CAP_402 lio[5C3] C3420 CAP_603 lio[5C3] C3421 CAP_402 lio[5C3] C3422 CAP_402 lio[5C3] C3450 CAP_402 lio[5C3] C3451 CAP_402 lio[5C2] C3500 CAP_402 lio[6C4] C3501 CAP_402 lio[6C4] C3502 CAP_402 lio[6C4] C3503 CAP_603 lio[6C4] C3504 CAP_603 lio[6C4] C3505 CAP_603 lio[6C4] C3530 CAP_402 lio[6C8] C3531 CAP_603 lio[6C7] C3534 CAP_402 lio[6C8] C3535 CAP_603 lio[6C7] C3550 CAP_402 lio[6A7] C3560 CAP_402 lio[6A3] C4600 CAP_603 lio[8B7] C4601 CAP_402 lio[8B7] C4602 CAP_603 lio[8B6] C4603 CAP_P_CASE-C2-SM lio[8B5] C4612 CAP_603 lio[8C6] C4613 CAP_P_CASE-C2-SM lio[8C5] C4650 CAP_603 lio[8B3] C4660 CAP_603 lio[8D3] C5801 CAP_402 lio[9C6] C5802 CAP_402 lio[9C5] C5803 CAP_402 lio[9D5] C5804 CAP_402 lio[9B5] C5805 CAP_402 lio[9A4] C6200 CAP_402 lio[10D6] C6201 CAP_402 lio[10D6] C6203 CAP_402 lio[10D6] C6204 CAP_P_CASE-A3-LF lio[10D4] C6205 CAP_P_CASE-A3-LF lio[10A4] C6206 CAP_402 lio[10D4] C6207 CAP_402 lio[10D3] C6208 CAP_603 lio[10A6] C6209 CAP_402 lio[10A5] C6210 CAP_402 lio[10A6] C6220 CAP_402 lio[10B6] C6221 CAP_P_SMA-LF lio[10B4] C6222 CAP_402 lio[10B4] C6300 CAP_402 lio[11C4] C6301 CAP_402 lio[11C4] C6302 CAP_P_CASE-B2 lio[11B3] C6303 CAP_402 lio[11B3] C6310 CAP_P_CASE-R lio[11C5] C6311 CAP_P_CASE-R lio[11C5] C6312 CAP_805-1 lio[11C3] C6320 CAP_P_CASE-R lio[11B5] C6321 CAP_P_CASE-R lio[11B5] C6322 CAP_805-1 lio[11B3] C6500 CAP_0805 lio[12D5] C6501 CAP_402 lio[12D5] C6502 CAP_0805 lio[12C4] C6503 CAP_402 lio[12C4] C6504 CAP_603 lio[12C3] C6510 CAP_P_SMA-LF lio[12B6] C6511 CAP_402 lio[12B4] C6512 CAP_603 lio[12B4] C6520 CAP_P_SMA-LF lio[12A6] C6521 CAP_402 lio[12A4] C6522 CAP_603 lio[12B4] C6600 CAP_P_CASE-B2 lio[13A3] C6601 CAP_P_CASE-B2 lio[13A2] C6610 CAP_402 lio[13D5] C6611 CAP_402 lio[13D4] C6612 CAP_P_CASE-B2 lio[13D4] C6613 CAP_402 lio[13D6] C6614 CAP_402 lio[13C6] C6620 CAP_402 lio[13C5] C6621 CAP_402 lio[13C5] C6622 CAP_P_CASE-B2 lio[13C4] C6623 CAP_402 lio[13C6] C6624 CAP_402 lio[13B6] C6630 CAP_402 lio[13B5] C6631 CAP_402 lio[13B5] C6632 CAP_P_CASE-B2 lio[13B4] C6633 CAP_402 lio[13B6] C6634 CAP_402 lio[13B6] C6640 CAP_402 lio[13A5] C6641 CAP_402 lio[13A5] C6642 CAP_P_CASE-B2 lio[13A4] C6643 CAP_402 lio[13A6] C6644 CAP_402 lio[13A6] C6700 CAP_402 lio[14C7] C6702 CAP_402 lio[14C5] C6750 CAP_402 lio[14A7] C6751 CAP_603 lio[14A7] C6752 CAP_402 lio[14A5] C6800 CAP_402 lio[15B2] C6801 CAP_402 lio[15C7] C6802 CAP_402 lio[15B7] C6811 CAP_402 lio[15A7] C6850 CAP_402 lio[15C3] C6851 CAP_402 lio[15C3] C6852 CAP_402 lio[15C2] C6853 CAP_603 lio[15D3] C6900 CAP_805 lio[16D7] C6901 CAP_805 lio[16D7] C6903 CAP_402 lio[16D7] C6904 CAP_603 lio[16D6] C6905 CAP_603 lio[16D4] C6906 CAP_402 lio[16C2] C6907 CAP_402 lio[16B1] C7600 CAP_603 lio[17D2] C7601 CAP_805-2 lio[17C2] C7602 CAP_P_CASE-C2-SM lio[17C1] C7603 CAP_402 lio[17C3] C7610 CAP_402 lio[17A7] C7620 CAP_603 lio[17C6] C7621 CAP_402 lio[17C7] C7622 CAP_603 lio[17B5] C7623 CAP_603 lio[17B5]								
B										
A										